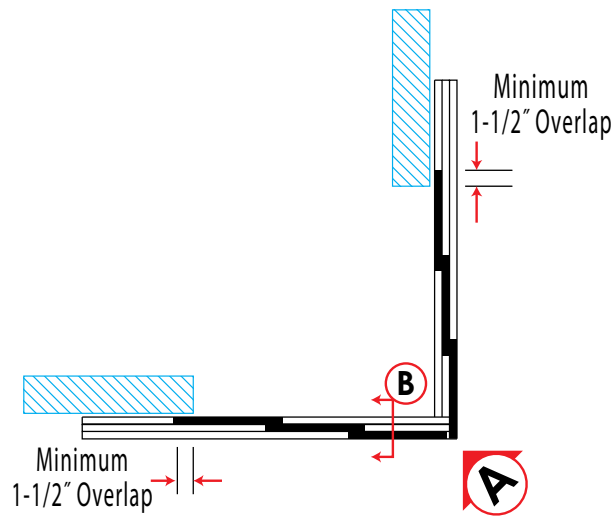


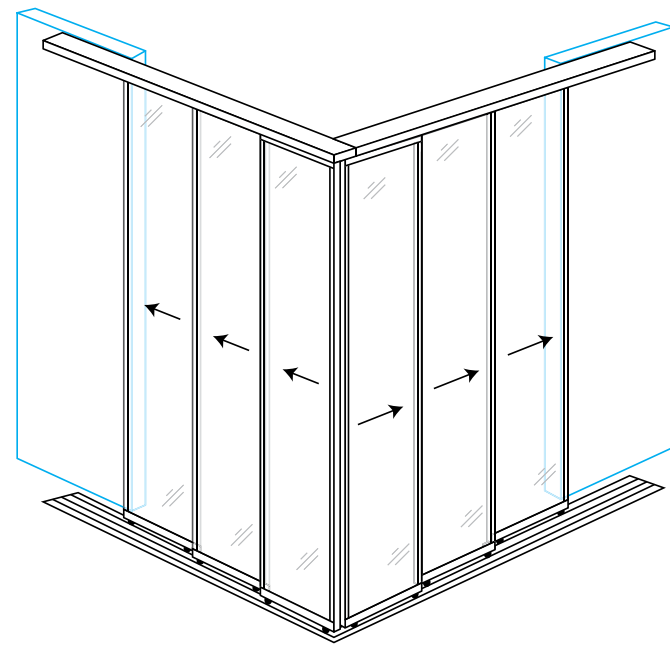
PLAN 12

SECTION B

OPTIONAL PARTS



ELEVATION A



SEE PAGE 2 FOR CORNER DETAILS

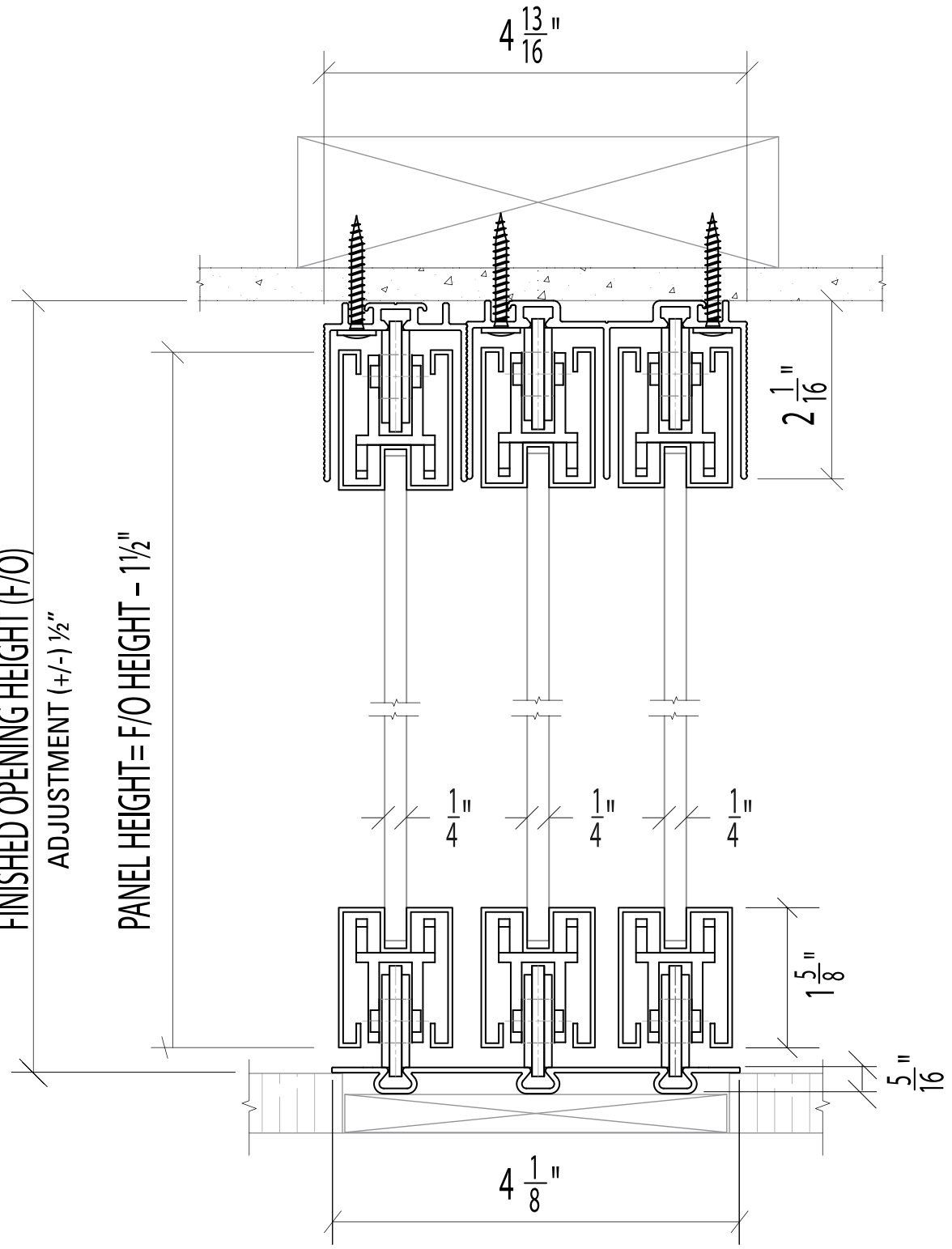
PROJECT:

ARCHITECT:

ALLIANCE GLASS DOORS INC.
 Surrey, BC, Canada, V3W 1A2
Riviera by Alliance Glass Doors
 T: 604.501.2588
 F: 604.501.1608
 www.rivieraglassdividers.com

FINISHED OPENING HEIGHT (F/O)
ADJUSTMENT (+/-) 1/2"

PANEL HEIGHT = F/O HEIGHT - 1 1/2"



CUSHION CAPTURE ROLLER ASSEMBLY (SHOWN WITH SINGLE TOP TRACK)

BLACK ANODIZED FINISH

END CAP

SYSTEM PARTS

DUAL TOP TRACK

SINGLE TOP TRACK

TRIPLE FLUSH TRACK

TRACK STOP

SYSTEM 214 LOCK

SYSTEM 214 EDGE PULL

T-STILE

- STANDARD INSERTS**
- DIFFUSED WHITE LAMI GLASS
 - CLEAR LAMINATED GLASS
 - MIRROR
 - PREFINISHED HARDBOARD
 - MIRROR / HARDBOARD

SYSTEM 214 2-1/4" WIDE STILE

- SPECIAL INSERTS**
- POLAR WHITE GLASS
 - BLACK GLASS
 - CABANA LITE LAMI GLASS
 - WHITE SAND LAMI GLASS
 - CUSTOMER SUPPLIED INSERT
 - DIVISION BARS

SIDELITE SHOE

SAVONA Sx-TCF with Sx-TCF at 90°
Triple Track - Ceiling Mount - Flush Floor Track to Triple Track - Ceiling Mount - Flush Floor Track

SHEET:

JOB #:

DRAWN BY: JL

DATE: 04/07/2016

CHECKED BY: DL

PLEASE NOTE: "x" in the product code refers to the stile options - Standard = "T" ; Sys 214 = "W"