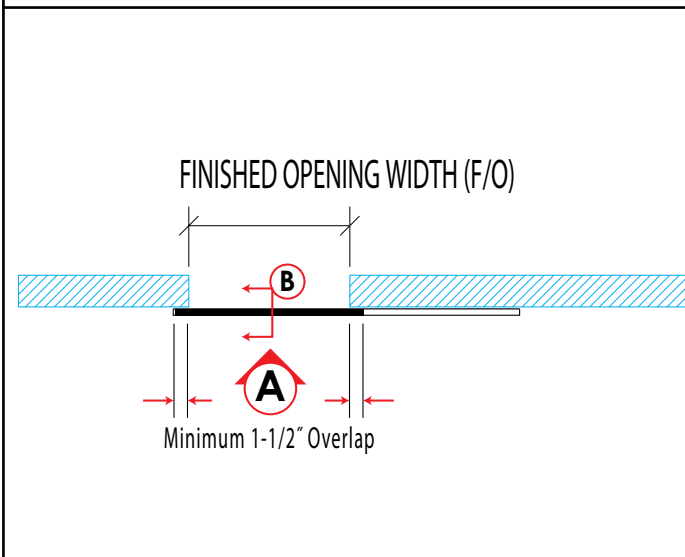
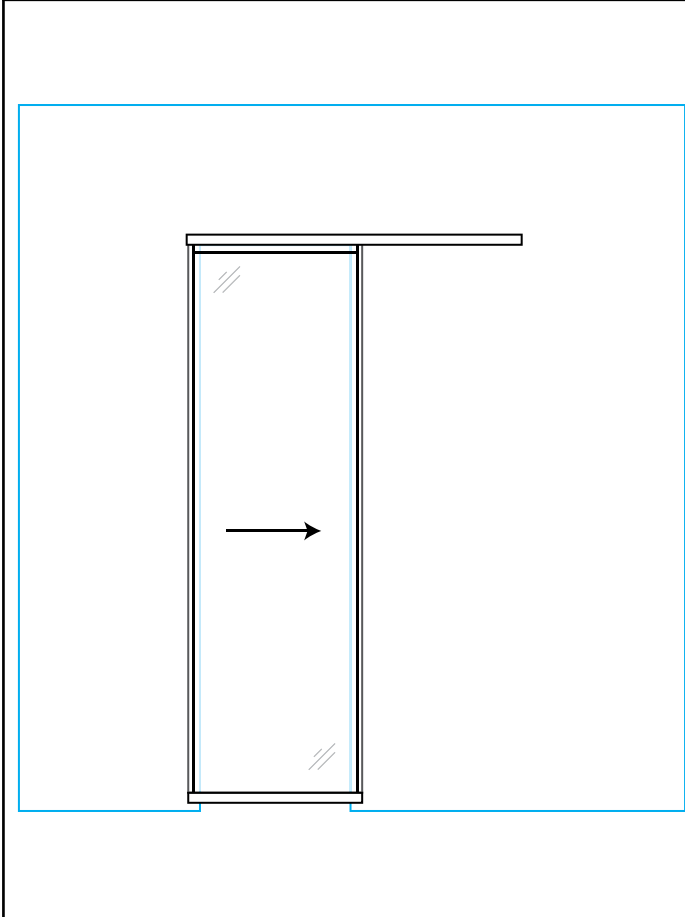


**PLAN 1**



**ELEVATION A**

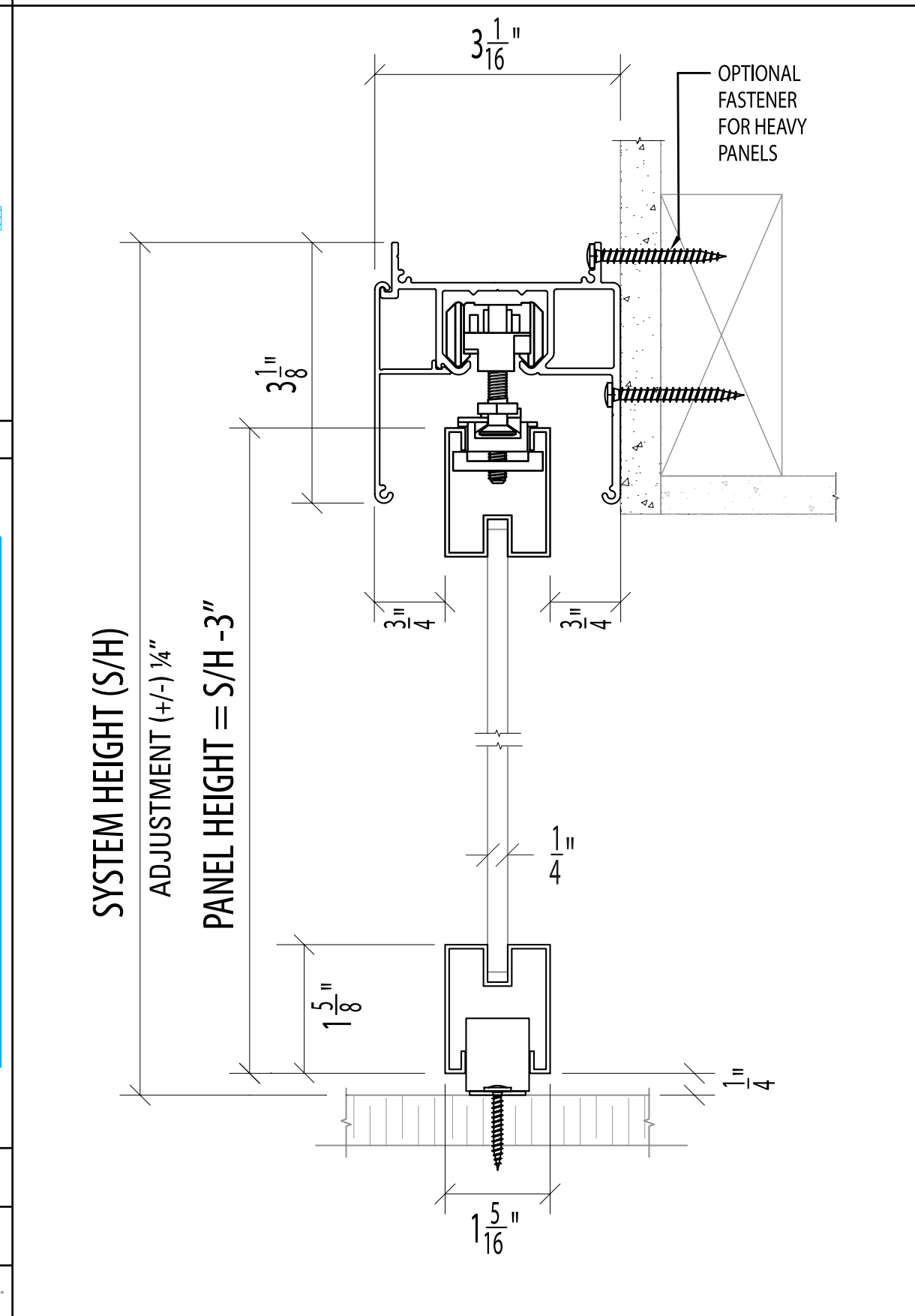


**PROJECT:**

**ARCHITECT:**

**ALLIANCE GLASS DOORS INC.**  
 Surrey, BC, Canada, V3W 1A2  
**T: 604.501.2588**  
**F: 604.501.1608**  
**Riviera** by Alliance Glass Doors  
[www.rivieraglassdividers.com](http://www.rivieraglassdividers.com)

**SECTION B**

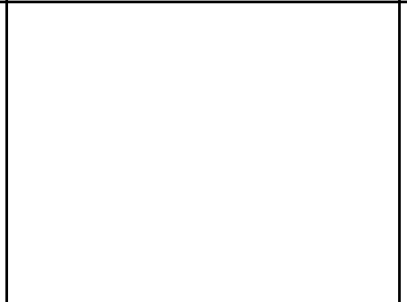
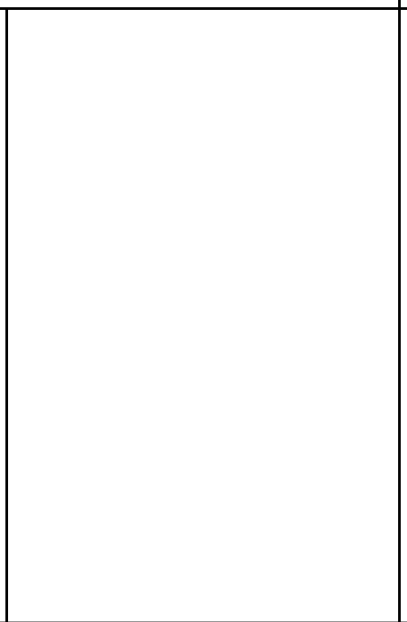
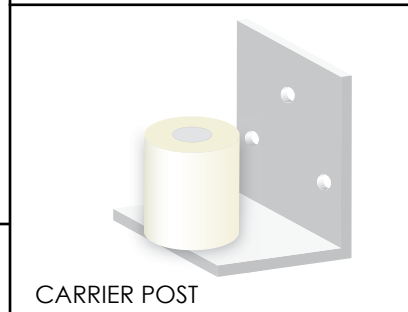
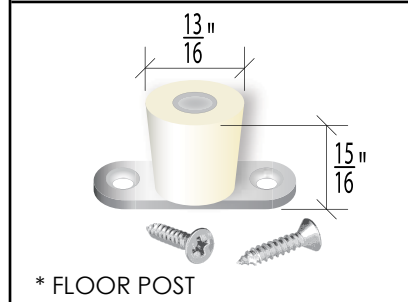
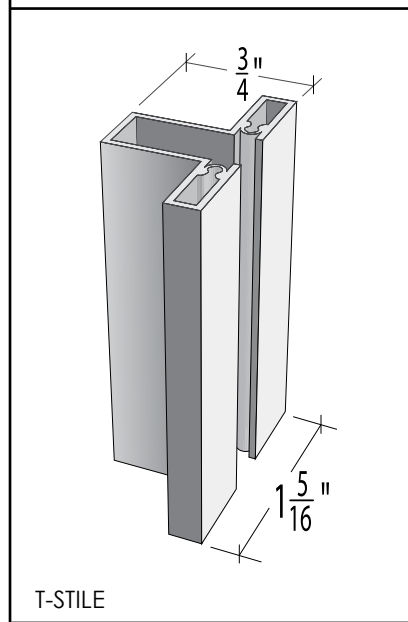
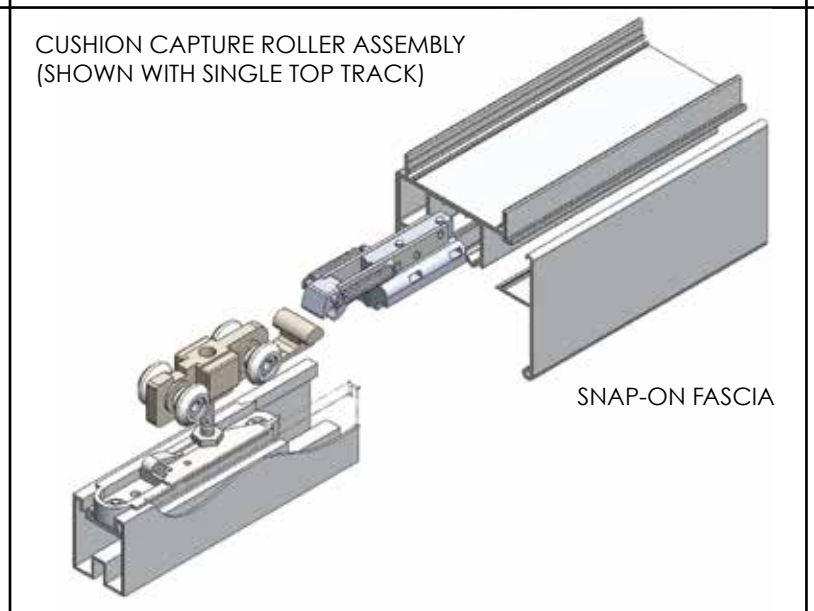


**MONACO Mx-SWP\***  
 Single Track - Wall Mount - Floor Post

**SHEET:**

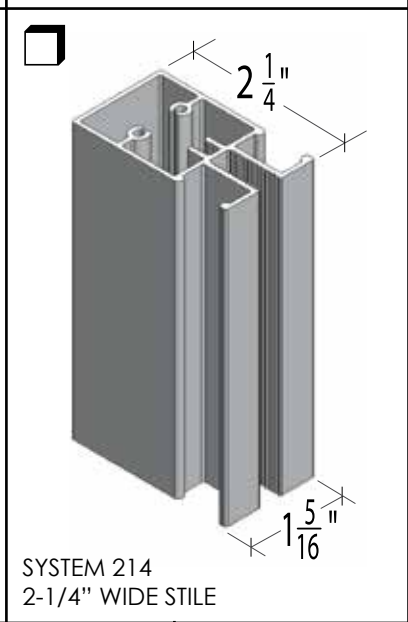
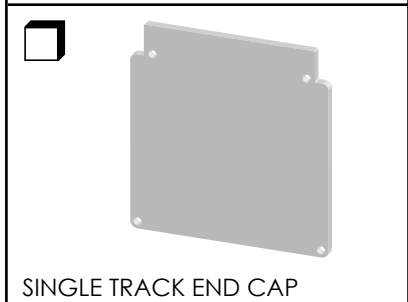
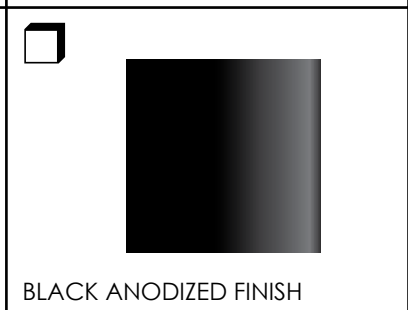
**JOB #:**

**SYSTEM PARTS**



- STANDARD INSERTS**
- DIFFUSED WHITE LAMI GLASS
  - CLEAR LAMINATED GLASS
  - MIRROR
  - PREFINISHED HARDBOARD
  - MIRROR / HARDBOARD

**OPTIONAL PARTS**



- SPECIAL INSERTS**
- POLAR WHITE GLASS
  - BLACK GLASS
  - CABANA LITE LAMI GLASS
  - WHITE SAND LAMI GLASS
  - CUSTOMER SUPPLIED INSERT
  - DIVISION BARS

**DATE:** 04/07/2016

**CHECKED BY:** DL

PLEASE NOTE: "x" in the product code refers to the stile options - Standard = "T" ; Sys 214 = "W"