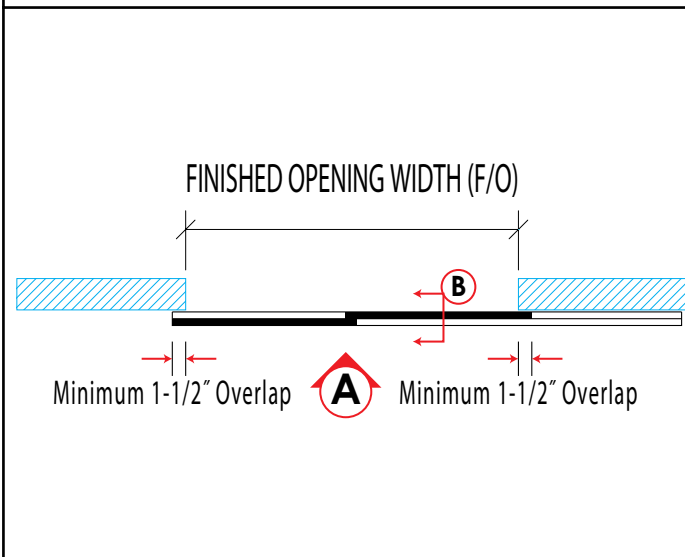
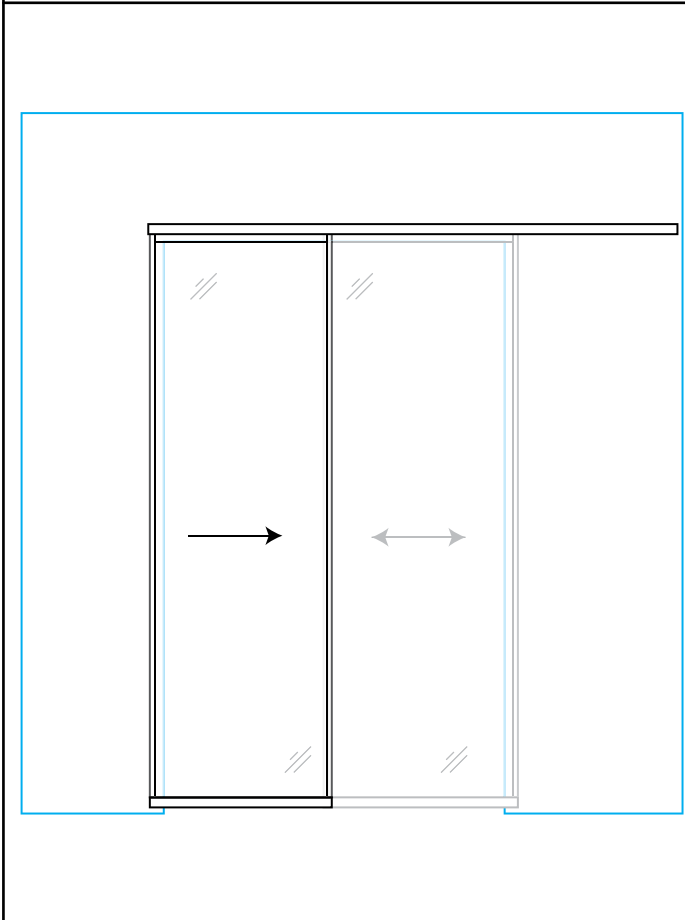


PLAN 7



ELEVATION A

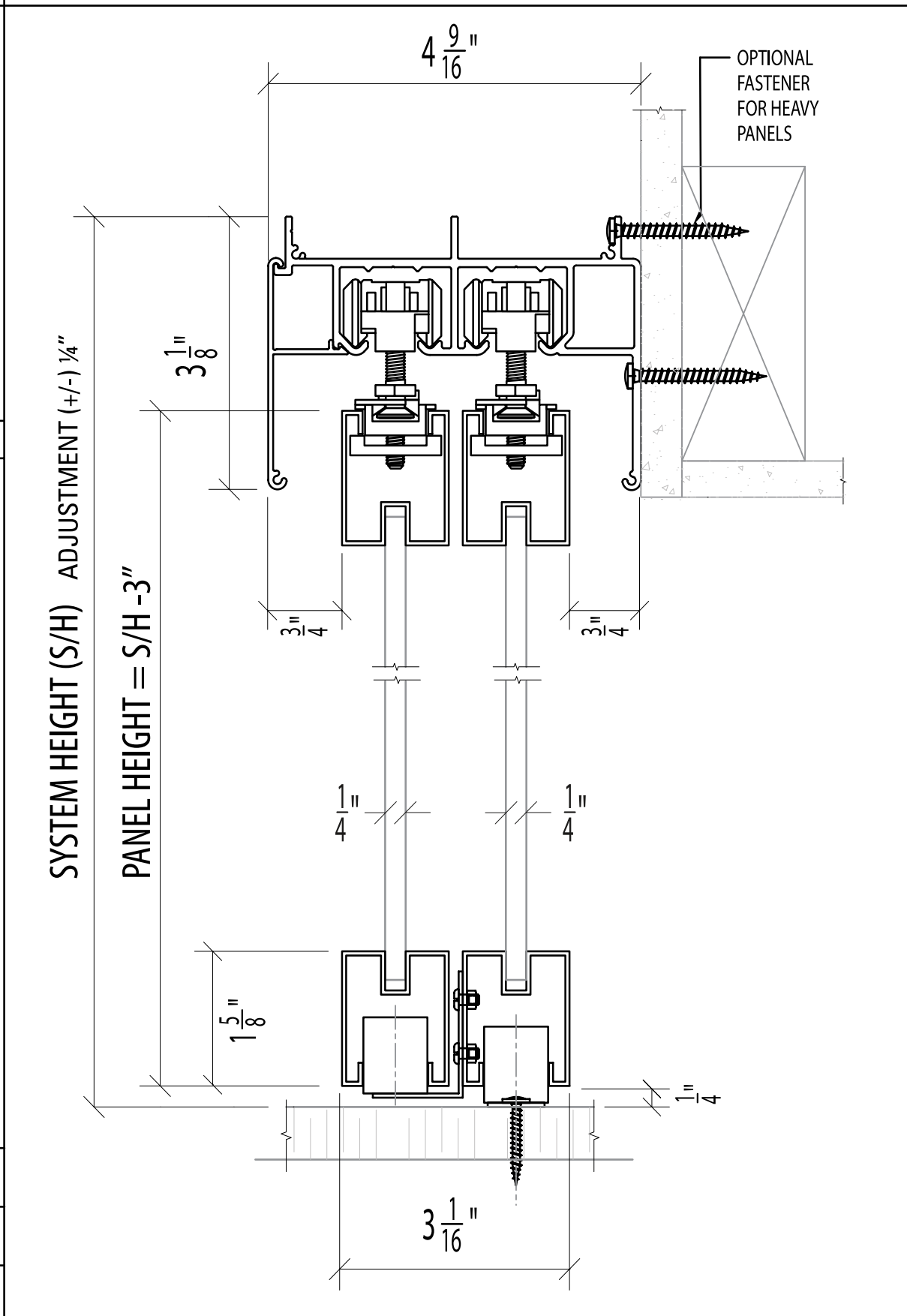


PROJECT:

ARCHITECT:

ALLIANCE GLASS DOORS INC.
 Surrey, BC, Canada, V3W 1A2
Riviera by Alliance Glass Doors
 T: 604.501.2588
 F: 604.501.1608
 www.rivieraglassdividers.com

SECTION B

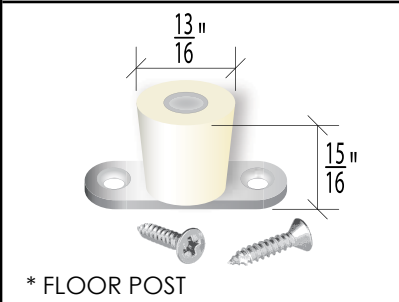
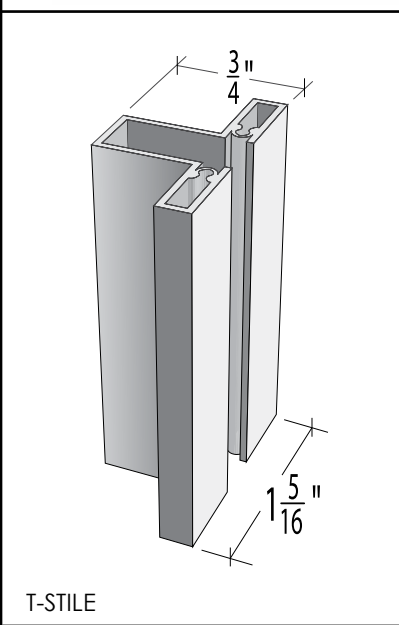
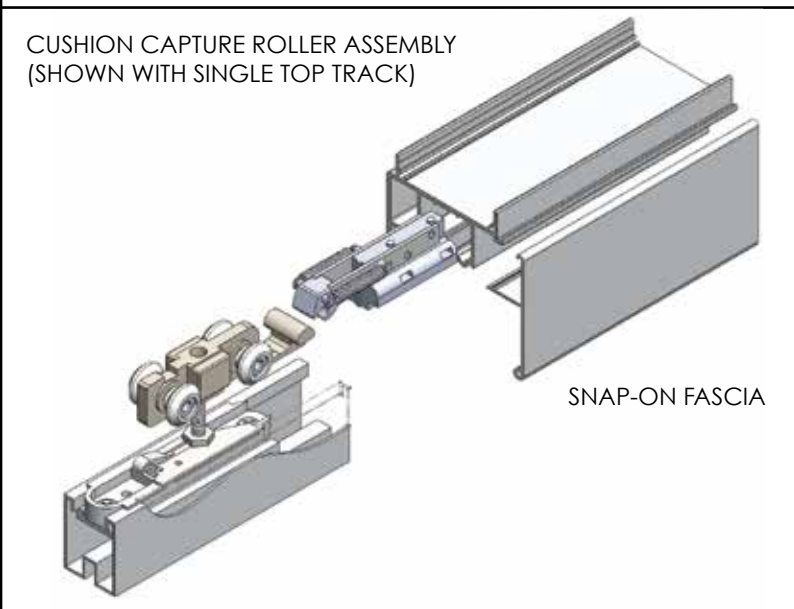


MONACO Mx-DWP*
 Double Track - Wall Mount - Floor Post with Carrier Post

SHEET:

JOB #:

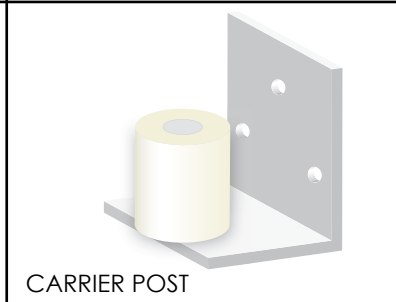
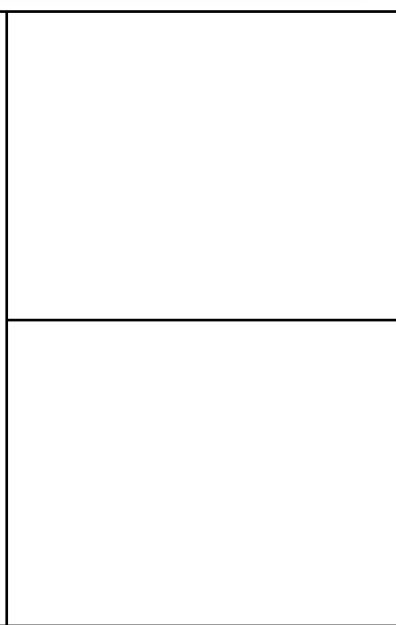
SYSTEM PARTS



STANDARD INSERTS

- DIFFUSED WHITE LAMI GLASS
- CLEAR LAMINATED GLASS
- MIRROR
- PREFINISHED HARDBOARD
- MIRROR / HARDBOARD

DRAWN BY: JL

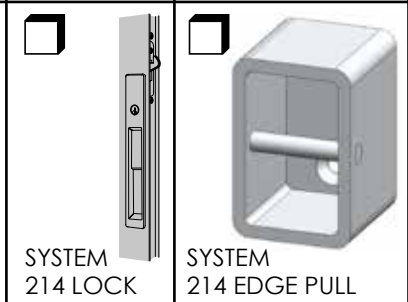
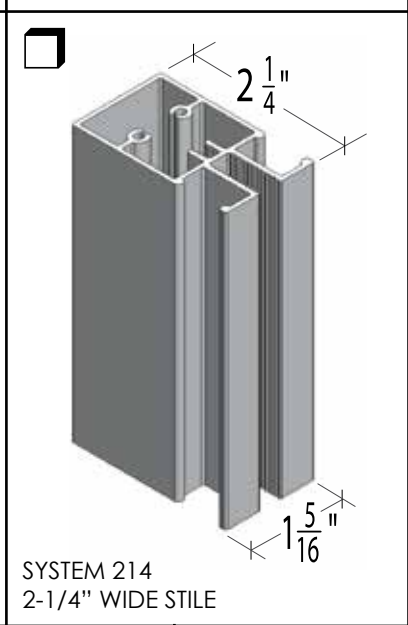
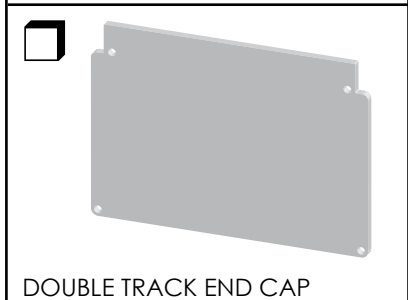
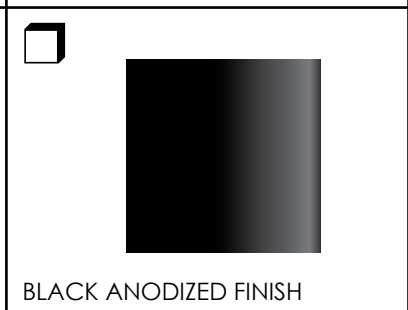


SPECIAL INSERTS

- POLAR WHITE GLASS
- BLACK GLASS
- CABANA LITE LAMI GLASS
- WHITE SAND LAMI GLASS
- CUSTOMER SUPPLIED INSERT
- DIVISION BARS

DATE: 04/07/2016

OPTIONAL PARTS



SPECIAL INSERTS

- POLAR WHITE GLASS
- BLACK GLASS
- CABANA LITE LAMI GLASS
- WHITE SAND LAMI GLASS
- CUSTOMER SUPPLIED INSERT
- DIVISION BARS

CHECKED BY: DL

PLEASE NOTE: "x" in the product code refers to the stile options - Standard = "T" ; Sys 214 = "W"