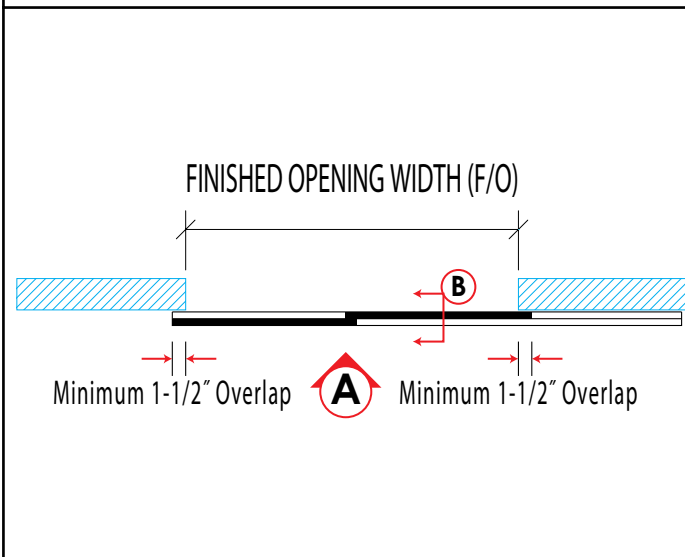
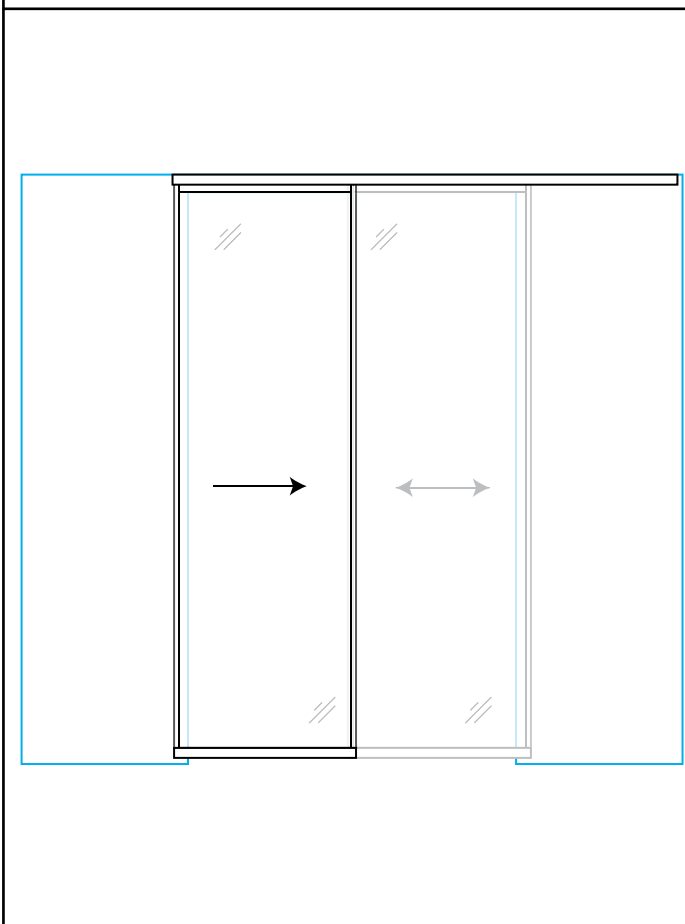


PLAN 7



ELEVATION A

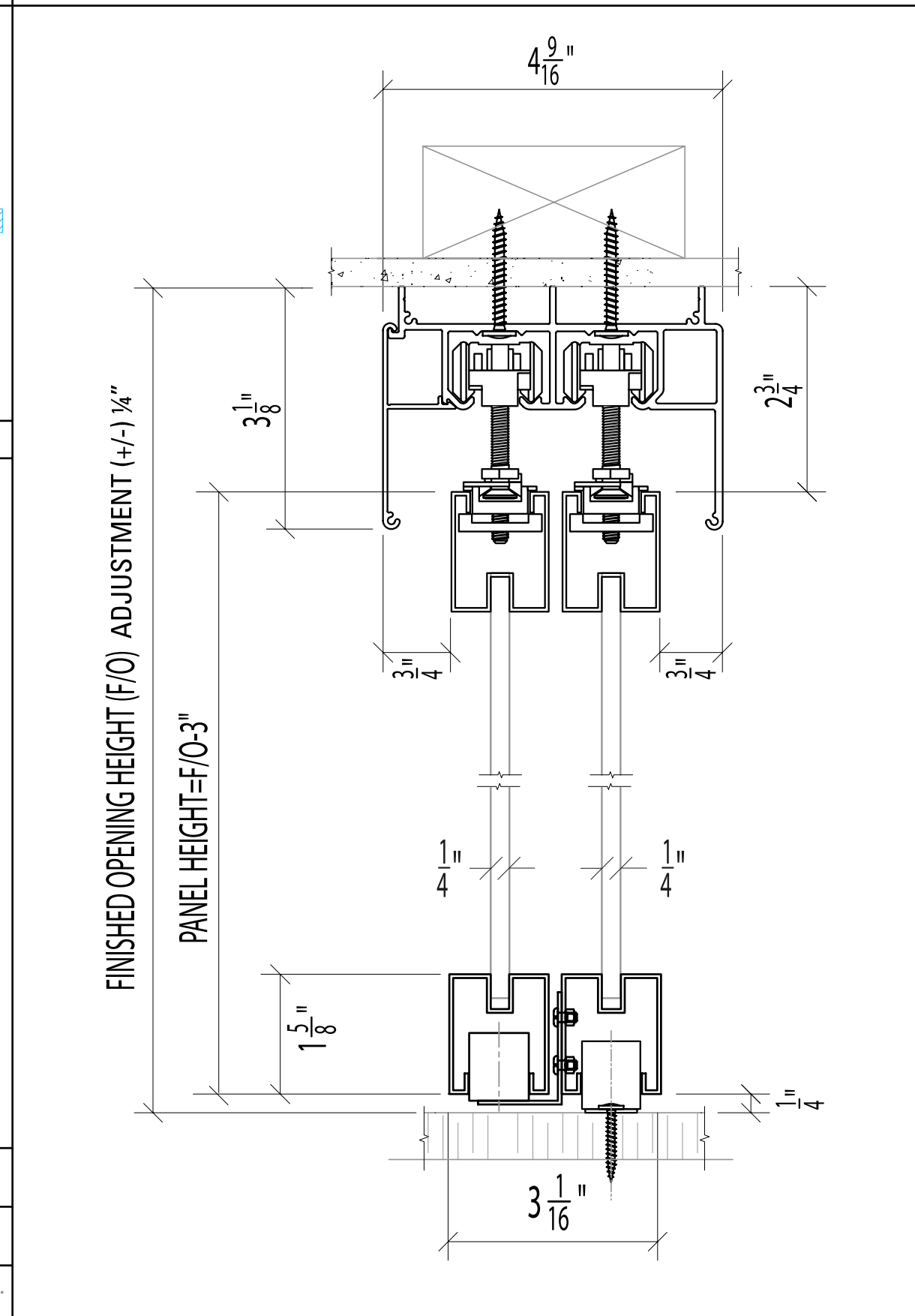


PROJECT:

ARCHITECT:


**ALLIANCE GLASS DOORS INC.**  
 Surrey, BC, Canada, V3W 1A2  
 T: 604.501.2588  
 F: 604.501.1608  
[www.rivieraglassdividers.com](http://www.rivieraglassdividers.com)

SECTION B

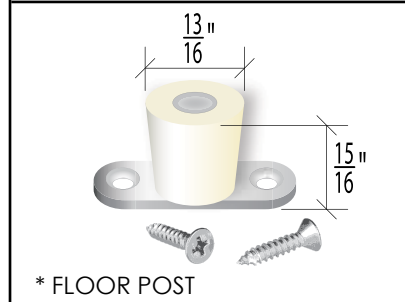
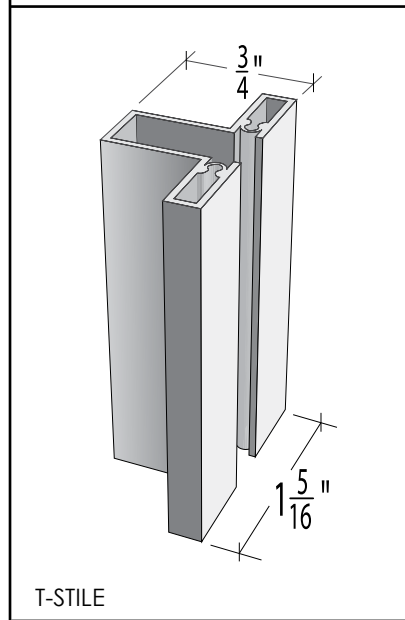
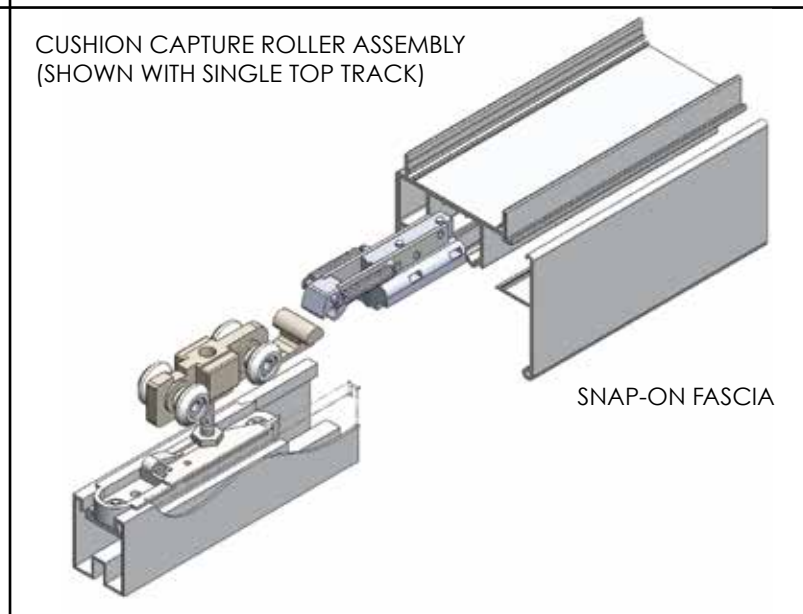


**MONACO Mx-DCP\***  
Double Track - Ceiling Mount - Floor Post

SHEET:

JOB #:

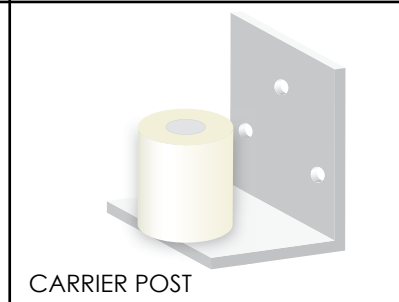
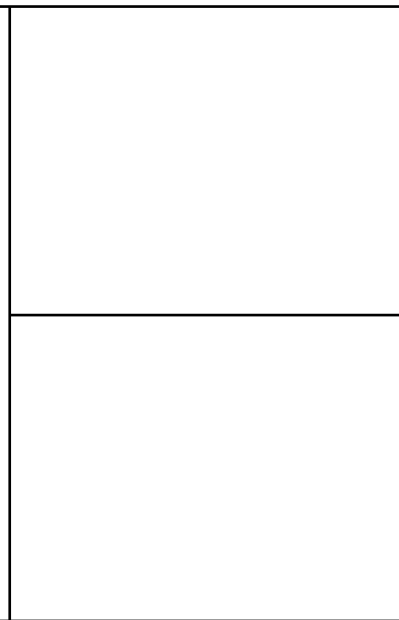
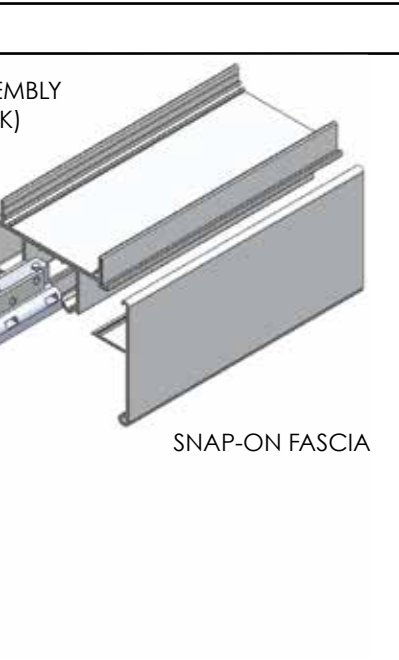
SYSTEM PARTS



STANDARD INSERTS

- DIFFUSED WHITE LAMI GLASS
- CLEAR LAMINATED GLASS
- MIRROR
- PREFINISHED HARDBOARD
- MIRROR / HARDBOARD

DRAWN BY: JL

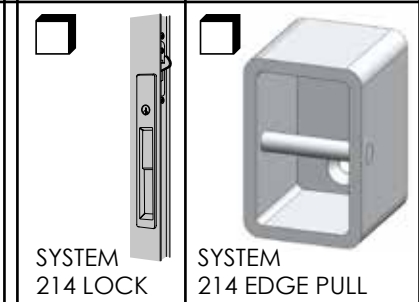
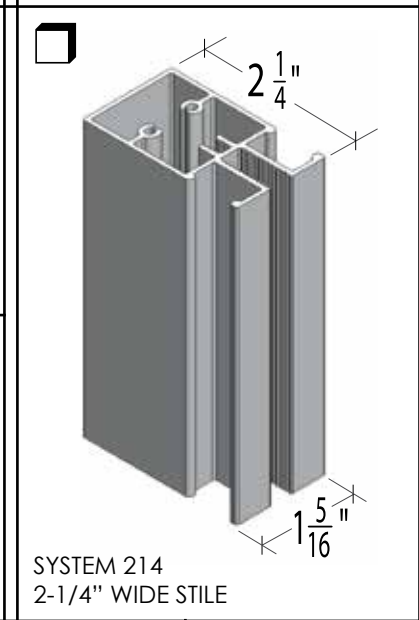
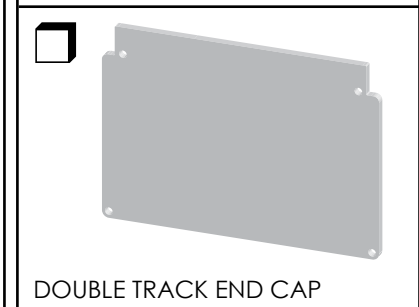
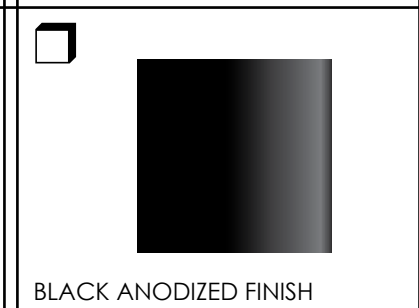


SPECIAL INSERTS

- POLAR WHITE GLASS
- BLACK GLASS
- CABANA LITE LAMI GLASS
- WHITE SAND LAMI GLASS
- CUSTOMER SUPPLIED INSERT
- DIVISION BARS

DATE: 04/07/2016

OPTIONAL PARTS



CHECKED BY: DL

CHECKED BY: DL

PLEASE NOTE: "x" in the product code refers to the stile options - Standard = "T" ; Sys 214 = "W"