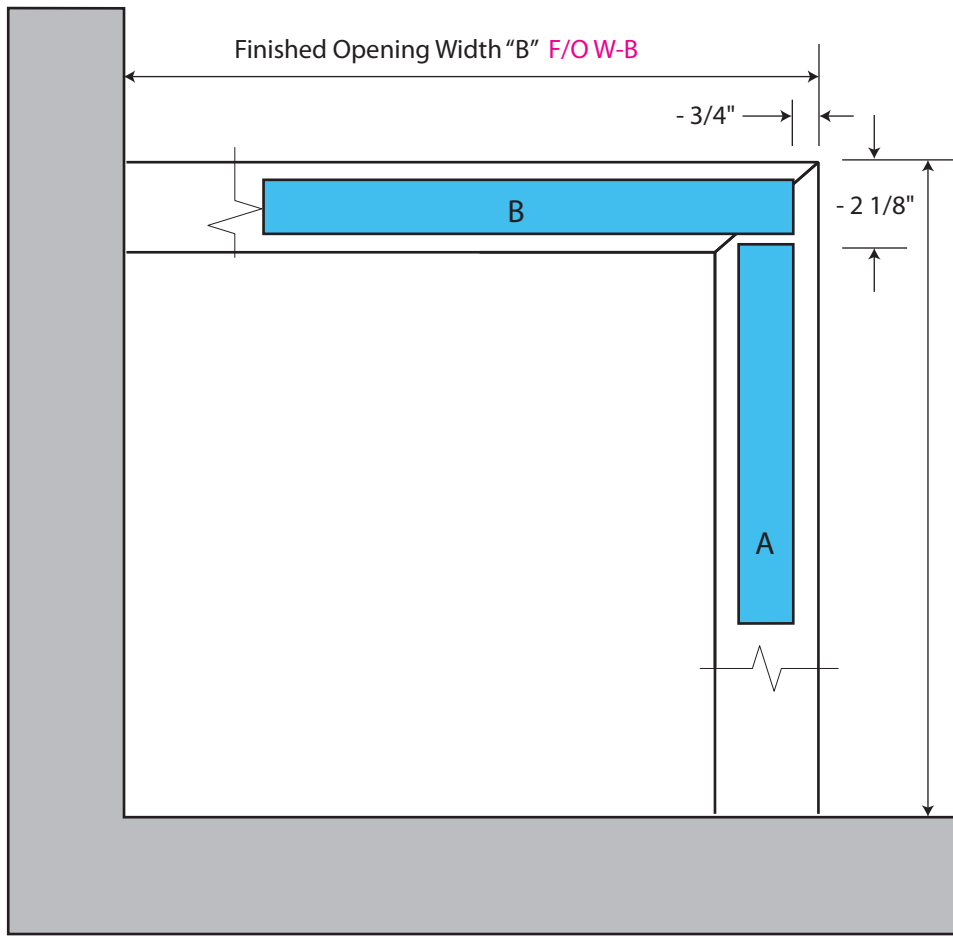


PROJECT: _____

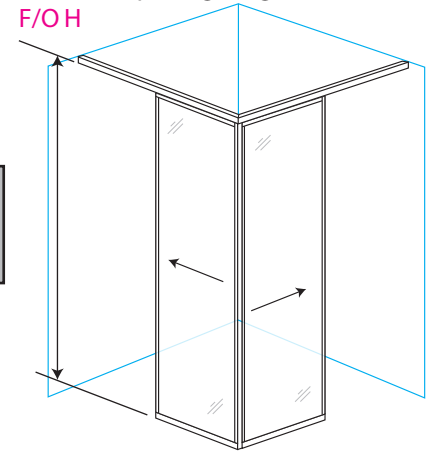
TAG: _____

NOTES: _____



Finished
Opening
Width "A"
F/O W-A

Finished Opening Height
F/O H



SINGLE TO SINGLE

FOR OFFICE USE ONLY

PANEL WIDTH A CALCULATION

((_____ - 2 1/8") divided by 1) = _____ NET P W
F/O W-A

PANEL WIDTH B CALCULATION

((_____ - 3/4") divided by 1) = _____ NET P W
F/O W-B

PANEL HEIGHT Finished Height - 3" CLEARANCE = NET PANEL HEIGHT

_____ - 3" = _____ NET P H
F/O H