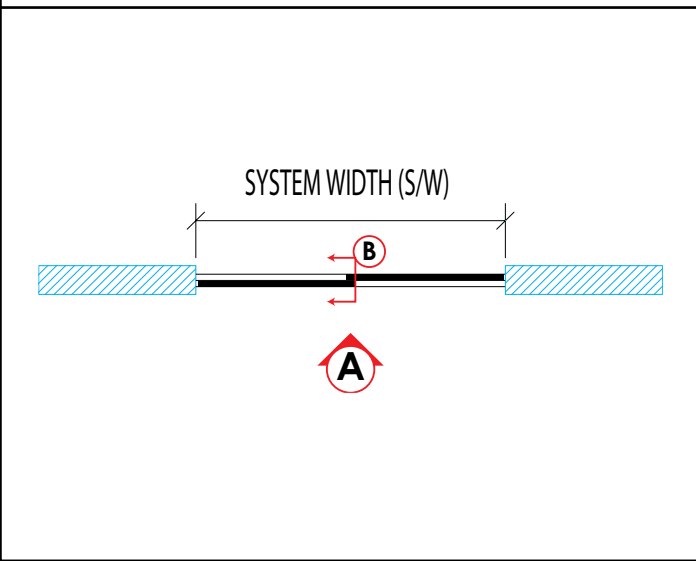


PLAN 5

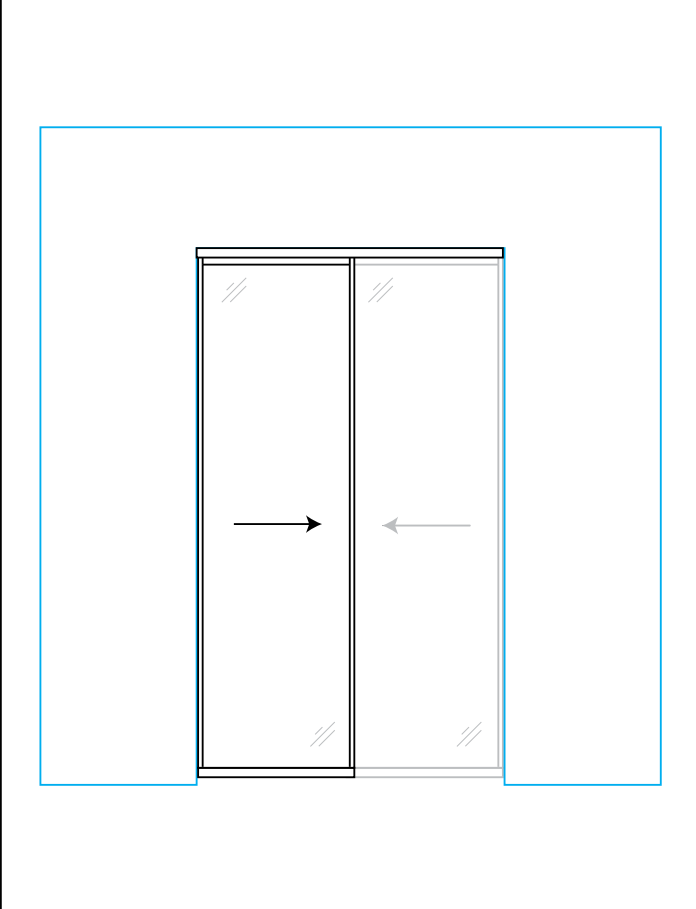
SECTION B

SYSTEM PARTS

OPTIONAL PARTS



ELEVATION A

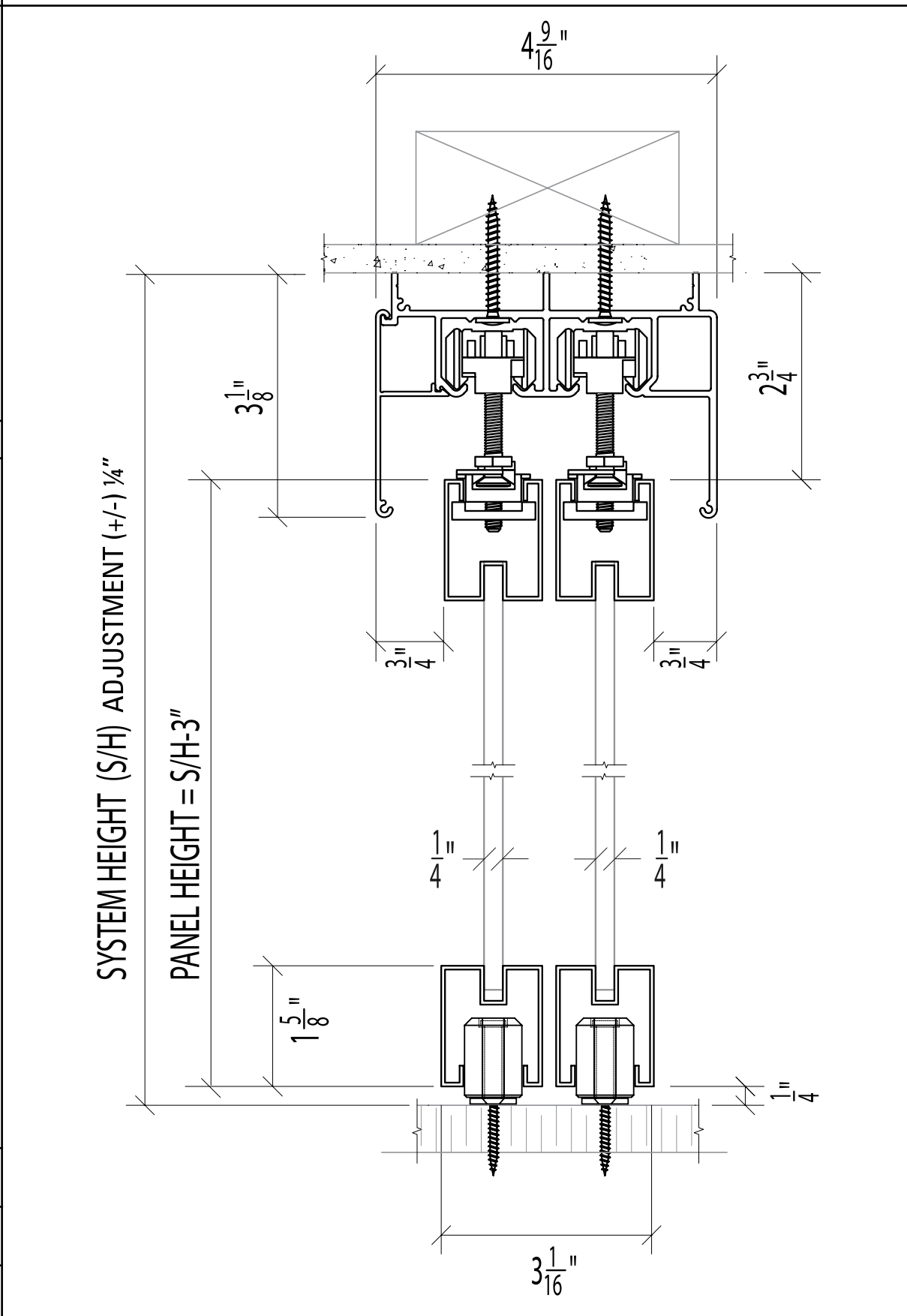


PROJECT:

ARCHITECT:

**Riviera**  
rivieraglassdividers.com

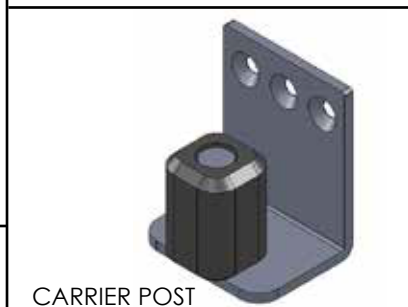
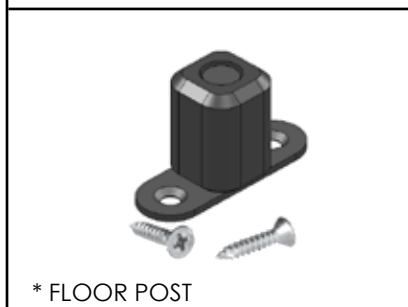
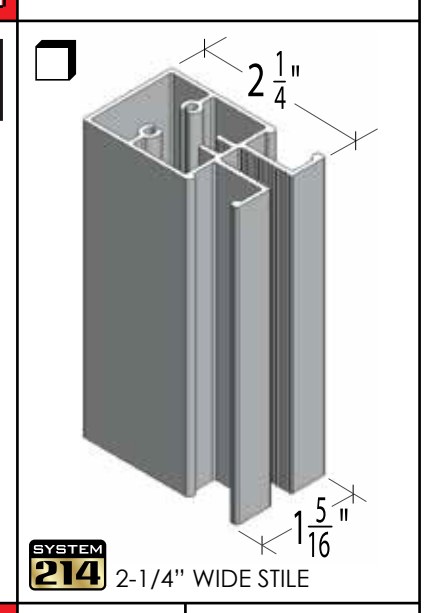
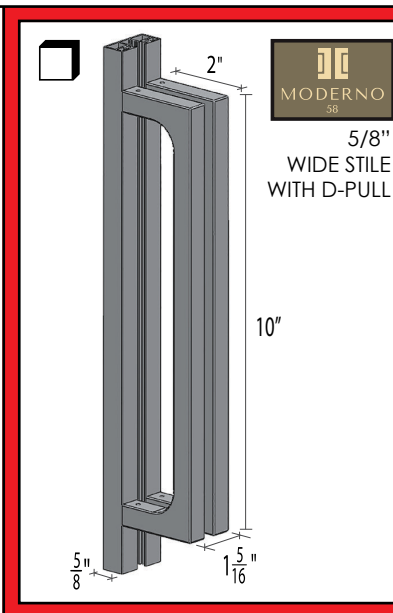
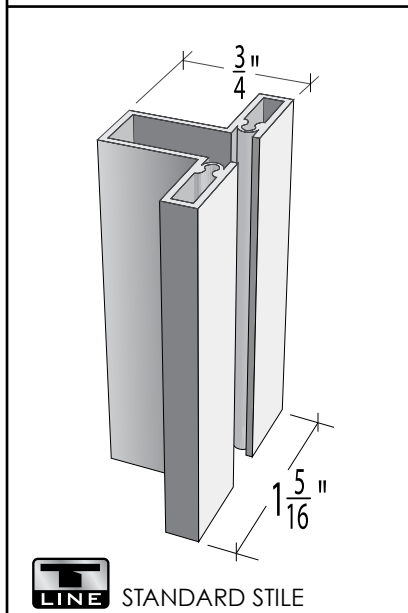
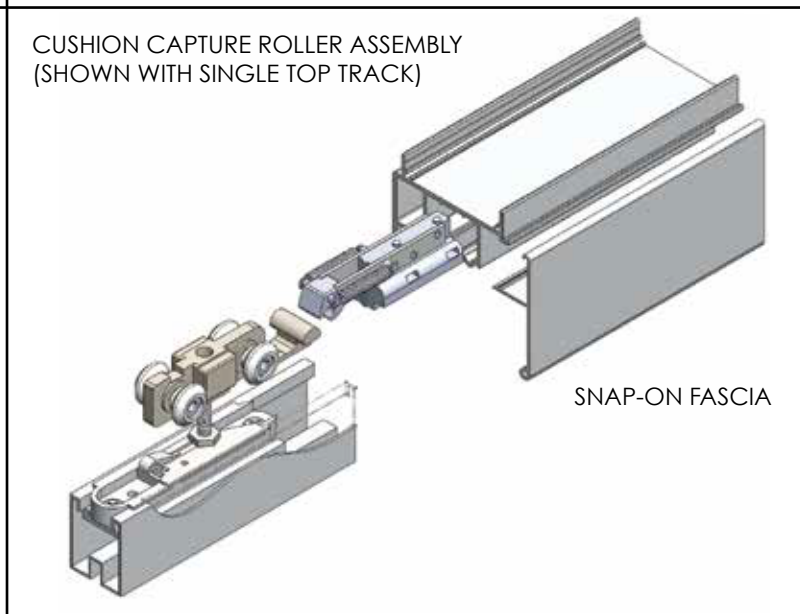
**ALLIANCE GLASS DOORS INC.**  
Surrey, BC, Canada, V3W 1A2  
T: 604.501.2588  
F: 604.501.1608



**MONACO Mx-DCP\***  
Double Track - Vertical Mount - Floor Post

SHEET:

JOB #:



- STANDARD INSERTS**
- DIFFUSED WHITE LAMI GLASS
  - CLEAR LAMINATED GLASS
  - MIRROR
  - PREFINISHED HARDBOARD
  - MIRROR / HARDBOARD

- SPECIAL INSERTS**
- POLAR WHITE GLASS
  - BLACK GLASS
  - CUSTOMER SUPPLIED INSERT
  - DIVISION BARS

DRAWN BY: JL

DATE: 11/01/20

CHECKED BY: DL

PLEASE NOTE: "x" in the product code refers to the stile options - Standard LINE = "T"; SYSTEM 214 = "214"; MODERNO = "M58"