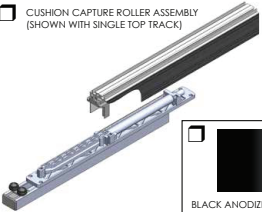
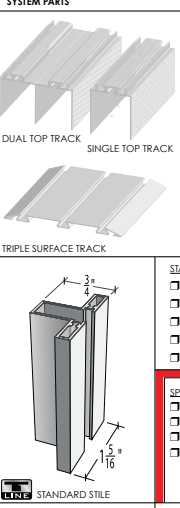
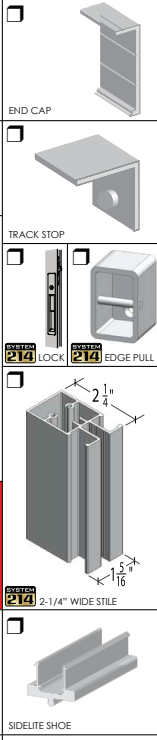


SAVONA Installation Instructions

Header, Ceiling, Soffit Mount

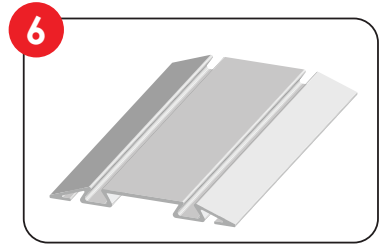
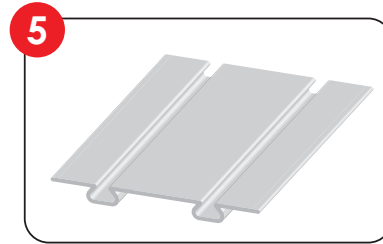
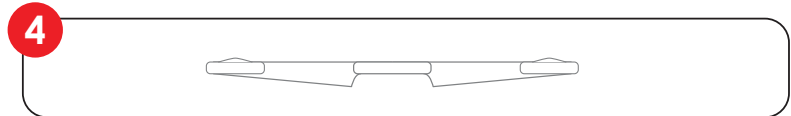
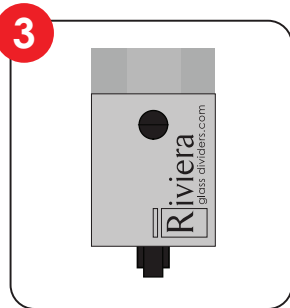
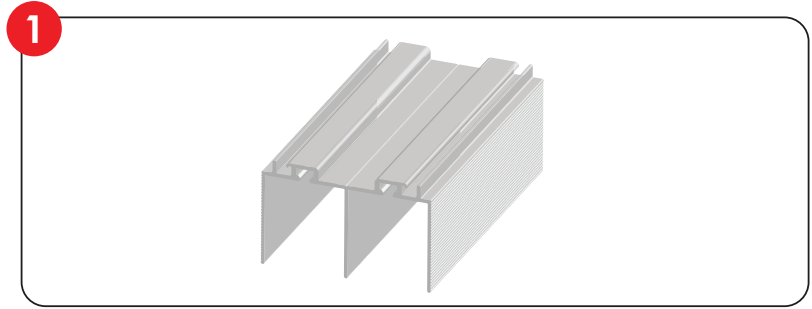
VERTICALLY FASTENED TOP TRACK - PLAN 10



<p>PLAN 10</p> <p>Minimum 1-1/2" Overlap</p> <p>ELEVATION A</p>	<p>SECTION B</p> <p>SYSTEM HEIGHT (S/H) ADJUSTMENT (+/-) 1/2" PANEL HEIGHT = S/H - 1 1/2"</p> <p>4 7/16"</p> <p>SAVONA Sx-TCS Triple Track - Vertical Mount - Surface Floor Track</p>	<p>OPTIONAL PARTS</p> <ul style="list-style-type: none"> <input type="checkbox"/> CUSHION CAPTURE ROLLER ASSEMBLY (SHOWN WITH SINGLE TOP TRACK)  <p>SYSTEM PARTS</p> <ul style="list-style-type: none"> <input type="checkbox"/> DUAL TOP TRACK <input type="checkbox"/> SINGLE TOP TRACK <input type="checkbox"/> TRIPLE SURFACE TRACK <input type="checkbox"/> STANDARD STILE  <p>STANDARD INSERTS</p> <ul style="list-style-type: none"> <input type="checkbox"/> DIFFUSED WHITE LAMIN GLASS <input type="checkbox"/> CLEAR LAMINATED GLASS <input type="checkbox"/> MIRROR <input type="checkbox"/> PREFINISHED HARDBOARD <input type="checkbox"/> MIRROR / HARDBOARD <p>SPECIAL INSERTS</p> <ul style="list-style-type: none"> <input type="checkbox"/> POLAR WHITE GLASS <input type="checkbox"/> BLACK GLASS <input type="checkbox"/> CUSTOMER SUPPLIED INSERT <input type="checkbox"/> DIVISION BARS <p>ACCESSORIES</p> <ul style="list-style-type: none"> <input type="checkbox"/> END CAP <input type="checkbox"/> TRACK STOP <input type="checkbox"/> LOCK <input type="checkbox"/> EDGE PULL <input type="checkbox"/> 2-1/4" WIDE STILE <input type="checkbox"/> SIDELITE SHOE  <p>PROJECT:</p> <p>ARCHITECT:</p> <p>SAVONA Sx-TCS</p> <p>Triple Track - Vertical Mount - Surface Floor Track</p> <p>STANDARD STILE</p> <p>DATE: 11/01/20</p> <p>CHECKED BY: DL</p>
<p>PROJECT:</p> <p>ARCHITECT:</p> <p>SAVONA Sx-TCS</p> <p>Triple Track - Vertical Mount - Surface Floor Track</p> <p>STANDARD STILE</p> <p>DATE: 11/01/20</p> <p>CHECKED BY: DL</p>		
<p>PLEASE NOTE: "x" in the product code refers to the stile options - Standard = "T" = "214" = "MSB"</p>		

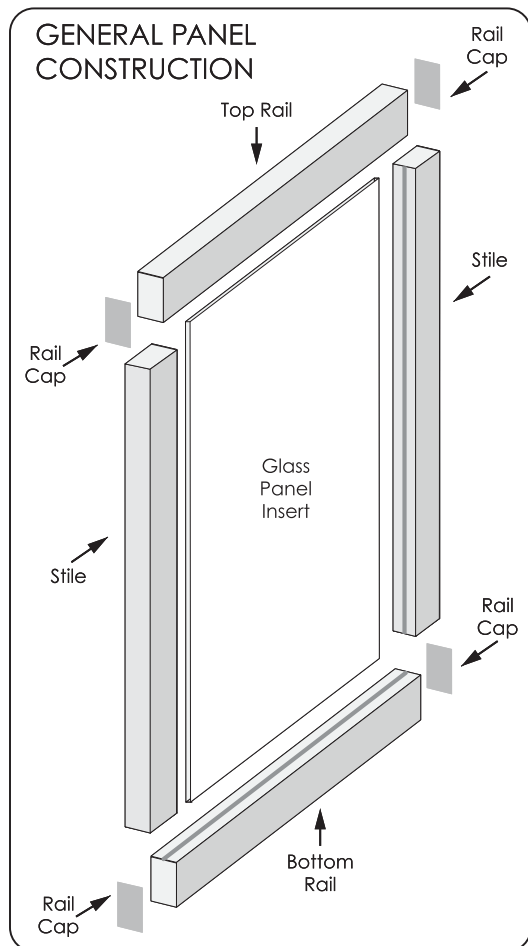
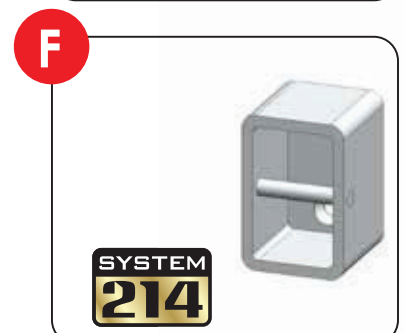
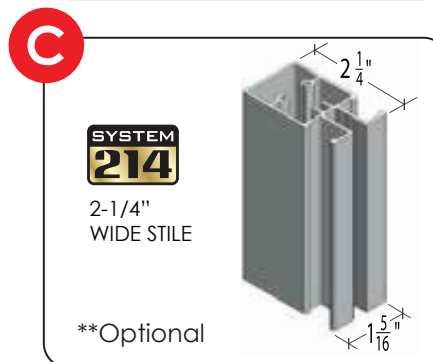
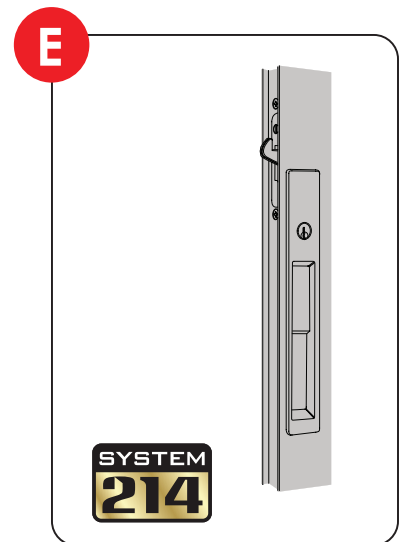
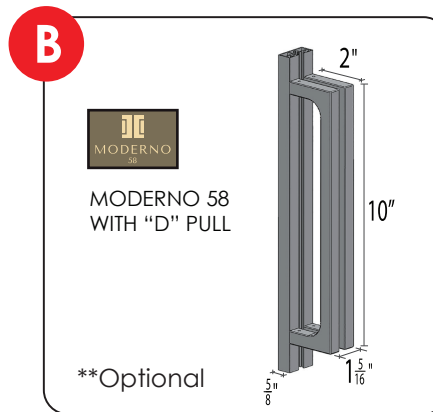
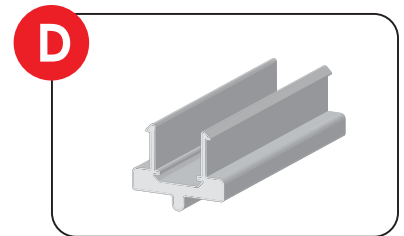
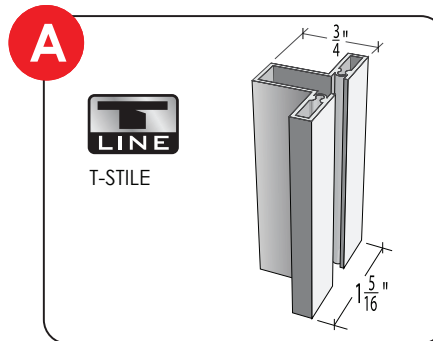
Savona - System Components

- 1 - Top Track
- 2 - Spring Top Roller/End Cap
- 3 - Screw Adjustable Bottom Roller/End Cap
- 4 - Panel Locator Ramp
- 5 - Bottom Track - Flush
- 6 - Bottom Track - Surface



General

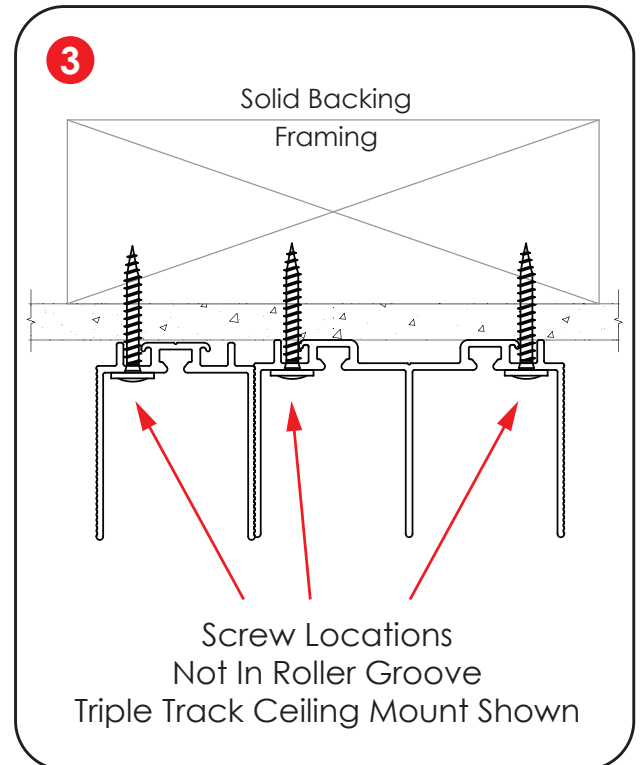
- A - "T" Stile
- B - Moderno 58 with D Shaped Pull **
- C - System 214 Wide 2 1/4" Stile **
- D - Sidelite Shoe
- E - System 214 Lock
- F - System 214 Edge Pull



IMPORTANT: Read these instructions completely before beginning any installation. Once the product is at the opening site and tools and parts are set up and ready to go, each panel should be able to be installed in 20 - 30 minutes.

A Install Top Track

- 1 Measure track and trim top track to length as required.
- 2 Mark drill locations to the side of the top roller grooves spaced at approximately 24" centres alternating down the track length and at each track end point. Drill holes to match screws provided. Screws **MUST** be located into solid backing.
- 3 **IMPORTANT: DON'T POSITION SCREW IN ROLLER GROOVE**
- 4 Position track across wall thickness keeping in mind the desired backset of fascia. Fasten track vertically to header, soffit or ceiling.

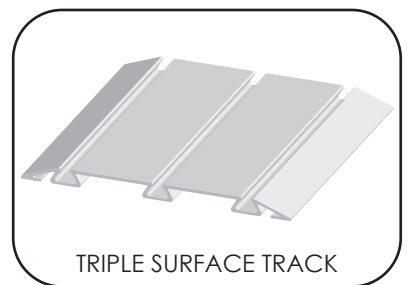


Determine if you have SURFACE floor track or FLUSH floor track.

B SURFACE Floor Track

Savona Floor Tracks are designed for concealed fastening. It is **NOT** recommended that they be drilled and screwed down. For a cleaner look follow these instructions:

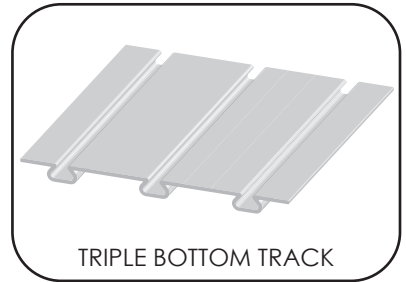
- 5 Measure track and trim bottom track to length as required.
- 6 Top and bottom tracks are NOT the same width, therefore use the following method for proper vertical alignment. Using plumb-bob trial position track in place by aligning top and bottom track **roller grooves**. Lightly mark the outside edges at each end of floor track on floor with pencil.
- 7 Apply two sided carpet full length on the track underside on the flat surface that will contact floor. Apply dabs of construction adhesive along the underside of track and position track referencing pencil marks. **Two sided carpet tape will hold track in place while adhesive sets.**



B FLUSH Floor Track

Savona Floor Tracks are designed for concealed fastening. It is **NOT** recommended that they be drilled and screwed down. For a cleaner look follow these instructions:

- 5 Shim subfloor to 5/16" below finished floor surface.
- 6 Measure track and trim to length as required.
- 7 Using plumb-bob trial position track in place by aligning top and bottom track roller grooves. Mark the edges at each end of floor track on shim.
- 8 Apply two sided carpet full length on the underside flat surface that will contact shim. Apply dabs of construction adhesive along the underside of track and position track referencing shim marks.
Two sided carpet tape will hold track in place while adhesive sets.
- 9 Finish flooring up to track edges.

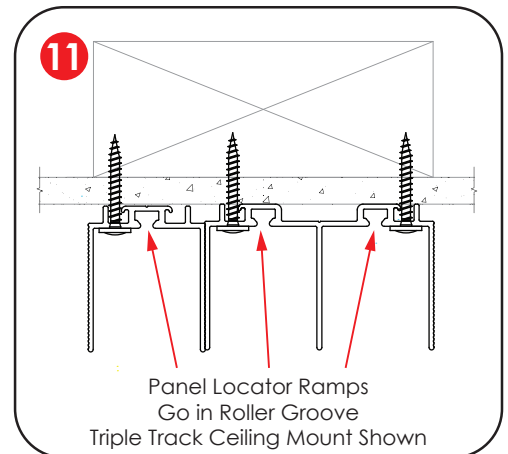


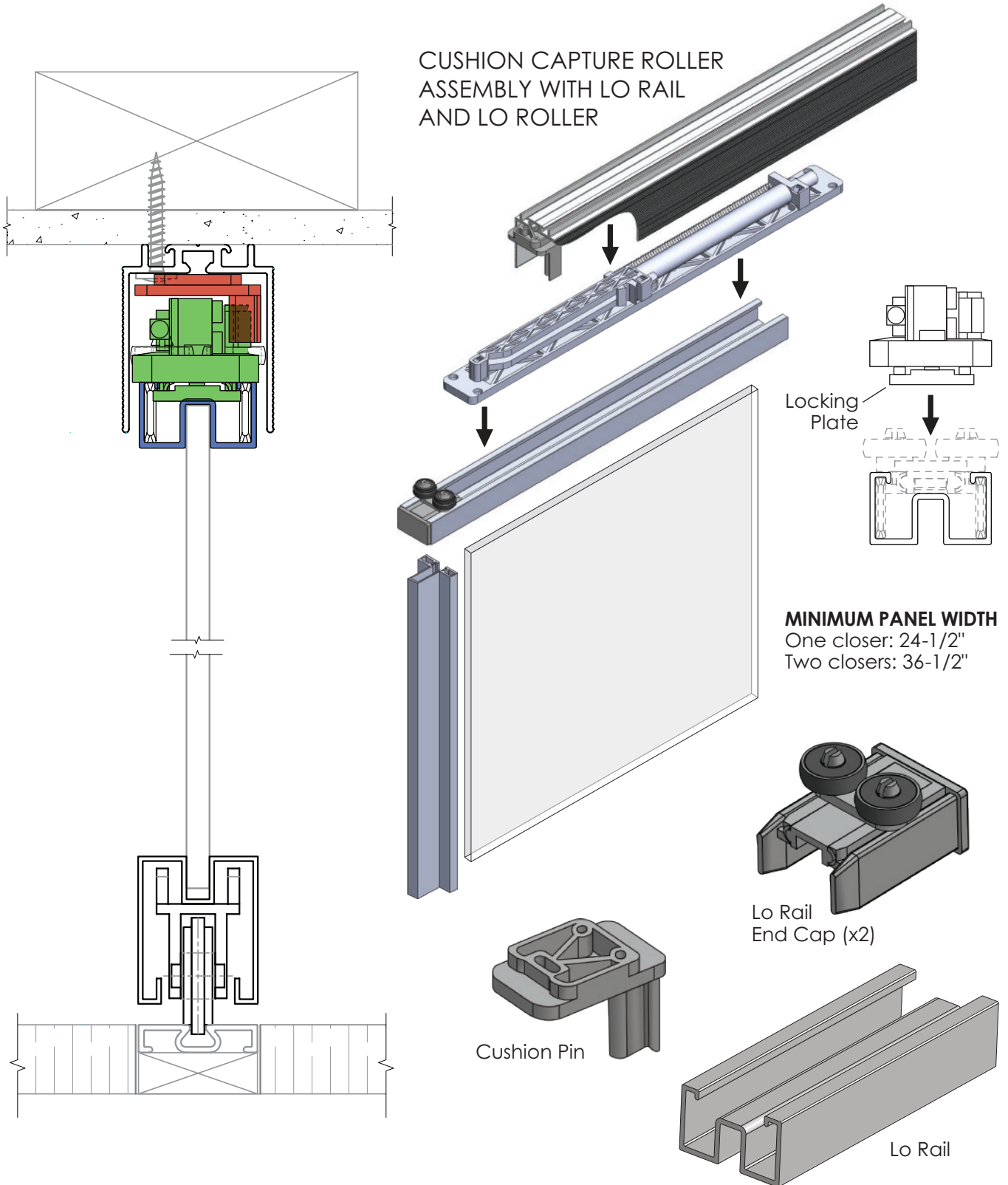
C Install the Panel

- 10 Ensure the pre-installed "Spring Rollers" are at the top of the panel.
- 11 Lift the panel up into the guide channel and engage the top rollers into the top track groove. Set the bottom roller into the corresponding floor track groove.
- 12 Adjust floor clearance and vertically wall alignment with wall edge by temporarily shimming the panels between the bottom rail and floor track to take the weight off the bottom rollers. Access the vertical adjustment bolt through the port in each bottom rail cap using a #3 Phillips screwdriver.

MANUAL TOOLS SHOULD BE USED FOR THIS PROCESS.

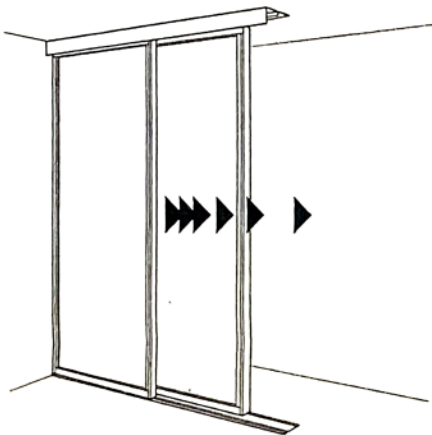
SPECIAL NOTE: To achieve a panel positioning along the track push panel locator ramps into the top roller groove and position such that the top roller comes to rest in the centre of the ramp. Secure in place with a dab of silicone.





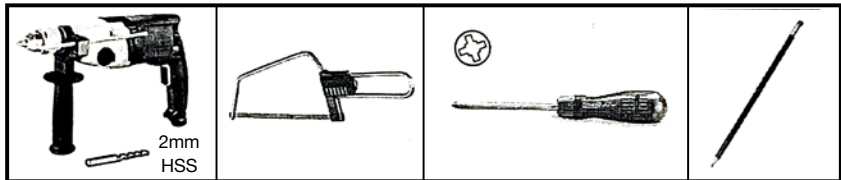
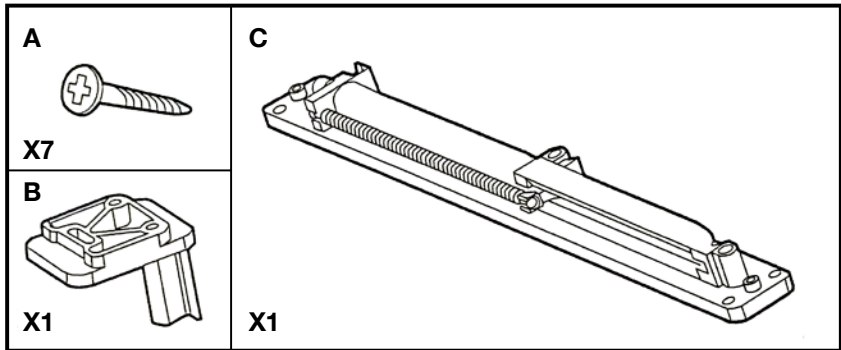
GB

SOFT CLOSE KIT

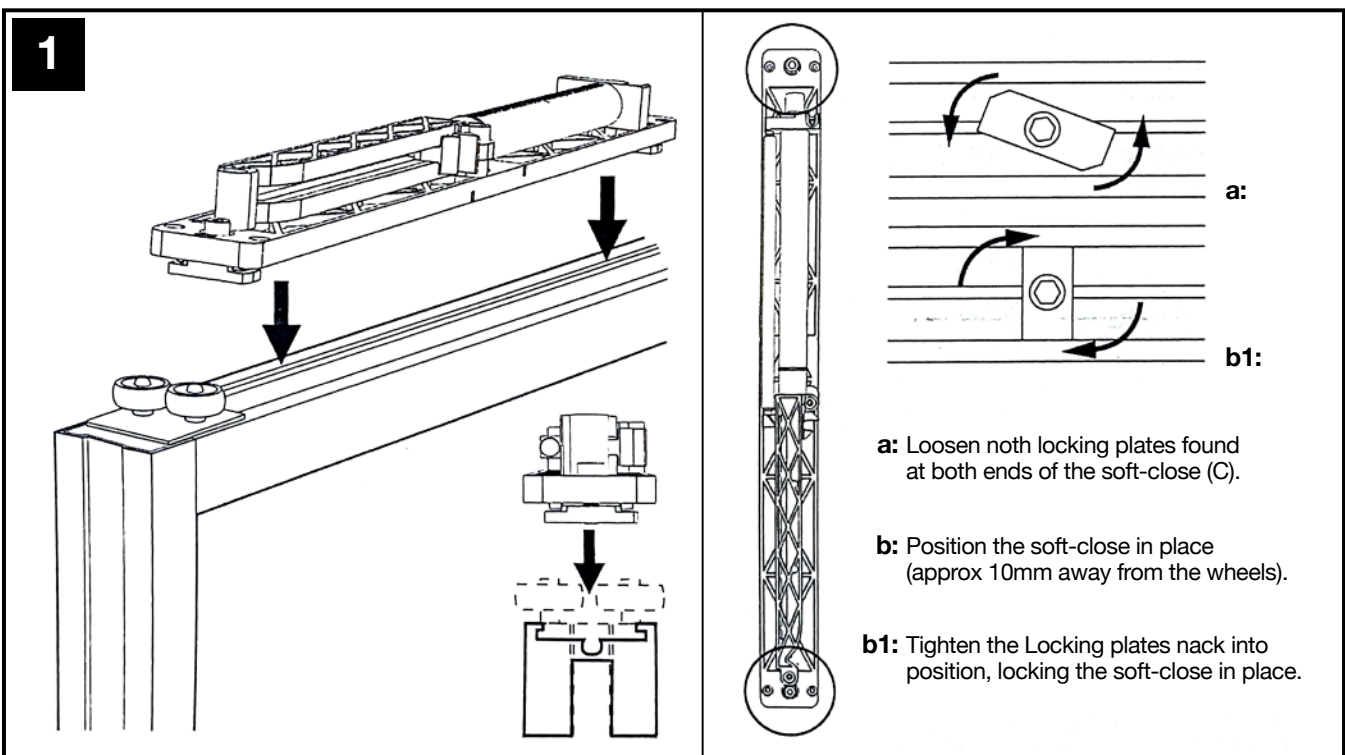
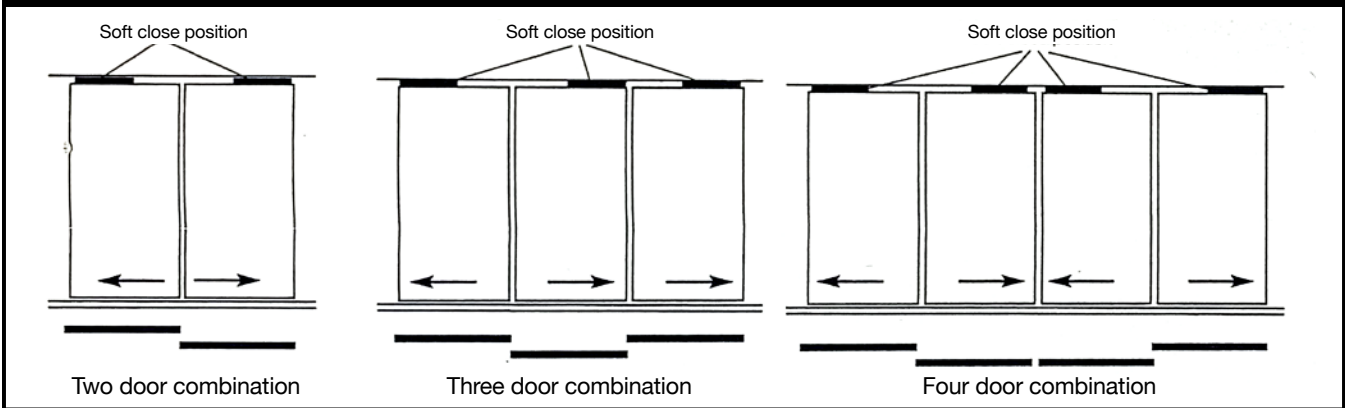


Before you start

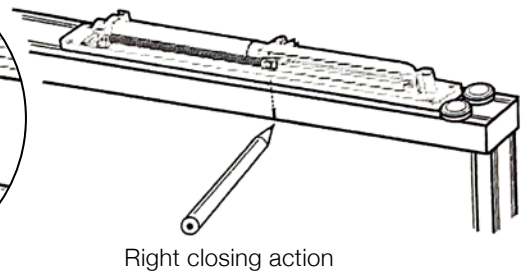
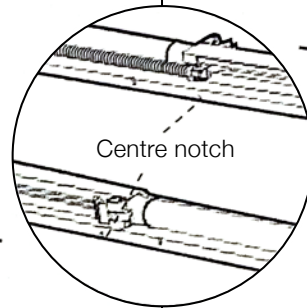
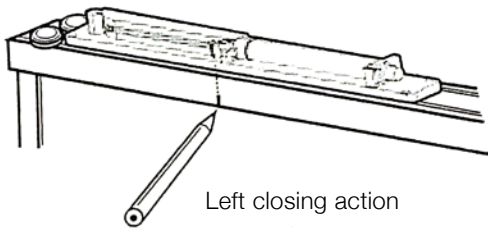
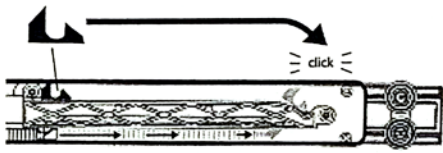
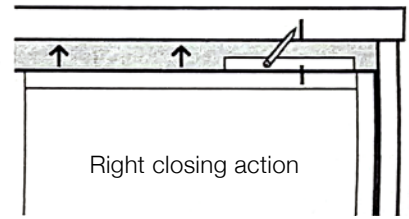
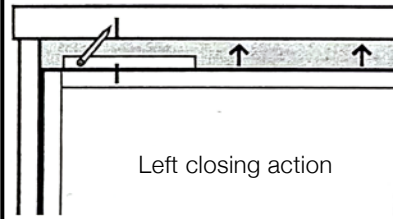
Ensure that all your sliding doors are installed correctly and adjusted to your satisfaction.



POSITIONING GUIDE

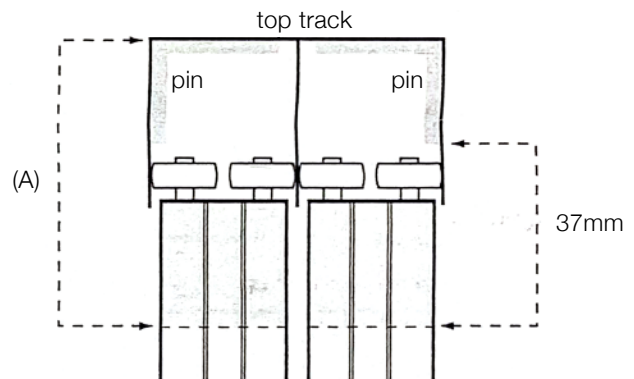


*Position approx 10mm away from the top wheels, so ensure that the wheels won't become obstructed.

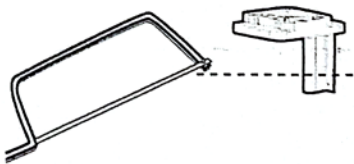
2**Mark Centre Notch with Soft Pencil onto Top Door Rail****3****Stretch spring into position****4****Fit Door in Closed Position and Transfer Pencil Line to Top Track Set****MEASURING UP & FITTING THE SOFT CLOSE PIN****5****When the Doors are in place...**

Measure from bottom of the top rail to the top of the Track (A). Then, subtract 37mm off this measurement. This gives you the height at which your Pin needs to be.

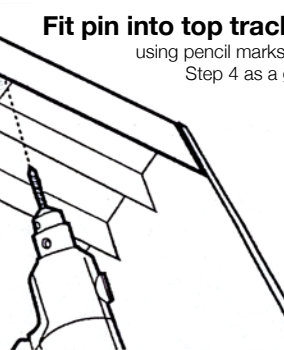
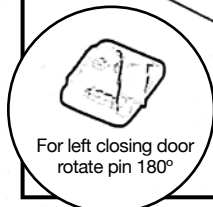
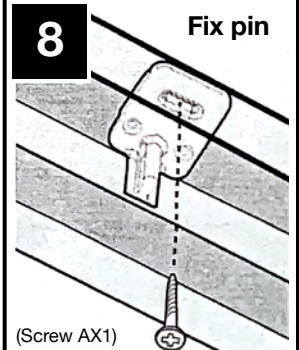
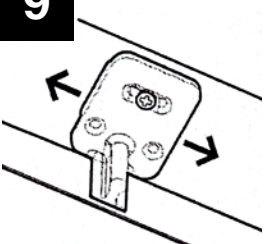
$$\text{Pin Height} = A - 37\text{mm}$$

**6****Trim the pin**

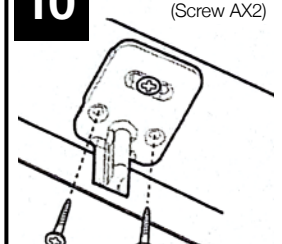
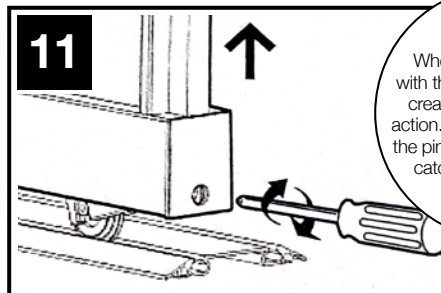
Trim the Pin length to the measurement from Step 5

**7****Fit pin into top track set**

using pencil marks from Step 4 as a guide

**8****Fix pin****9****Adjust Pin****10****Final Fix**

(Screw AX2)

**11****Tip**

When the pin engages with the soft close it should create a smooth closing action. If this is not the case, the pin is still too long and is catching the soft close casing.

This can be rectified by lowering the 'ride height', or by cutting more off the pin length.

Riviera Glass Divider "Collector Blocks" are designed to assist in closing multi-panel sets of sliding door panels by collecting each panel they pass by. When closing the set, the outermost panel will inter-lock with the next panel, and pull it along to its resting position. To re-open, with all required and recommended blocks installed, pushing the outermost panel will collect all panels as a group. Panels will be staggered in the fully open position.

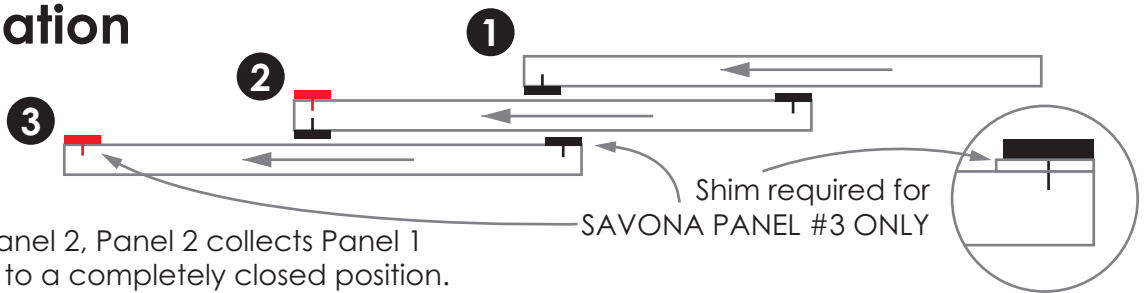
Below you'll find instructions for installing the blocks. Pay close attention to identify your track series (Monaco or Savona), and the correct location and orientation on the panel. Peel and stick the block in place as illustrated, then install self tapping screws to permanently secure. Pre-drilling is not necessary.

IMPORTANT: Read these instructions completely before beginning any installation.

Block Location

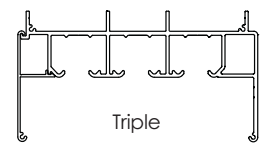
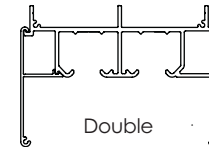
Required

Recommended

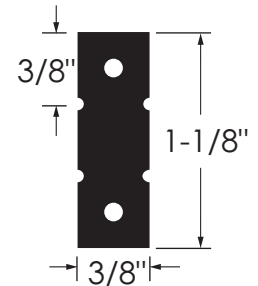
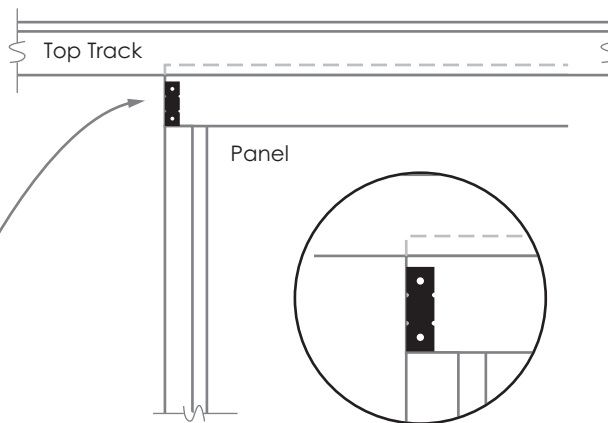


Panel 3 collects Panel 2, Panel 2 collects Panel 1 and pulls them all to a completely closed position.

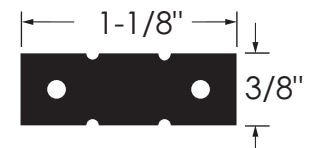
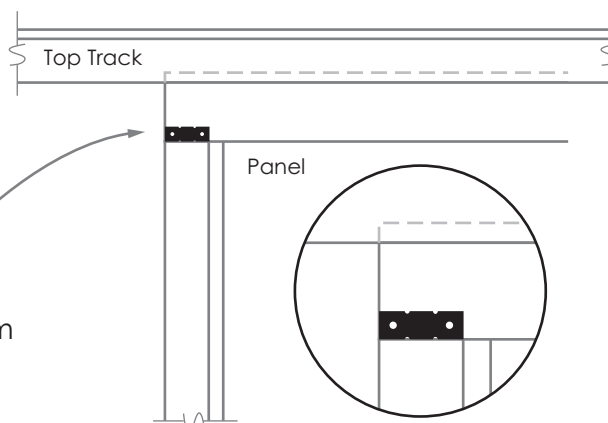
Block Orientation MONACO



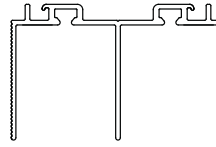
LONG EDGE of Block
Flush with end of Rail
@ Bottom of Rail



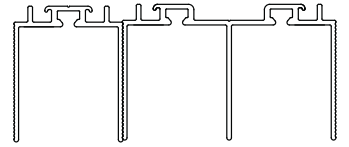
SHORT EDGE of Block
Flush with end of Rail
LONG EDGE @ Bottom
of Rail



Block Orientation SAVONA



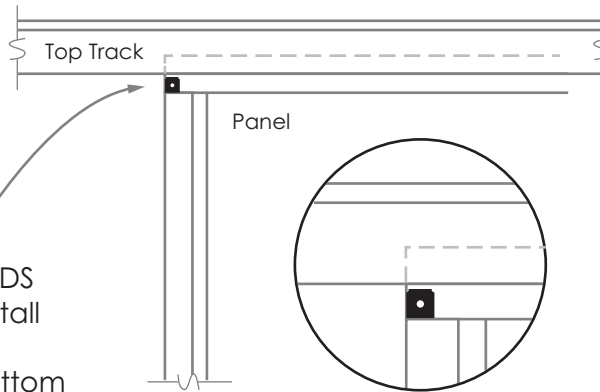
Double



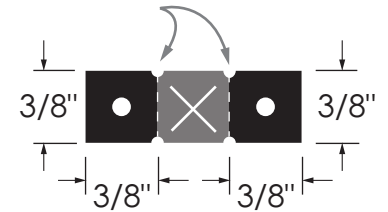
Triple



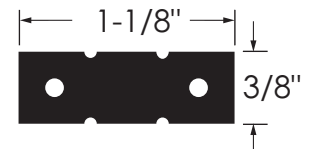
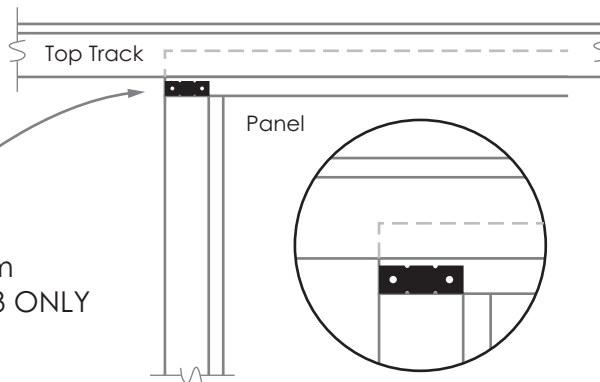
BREAK OFF BLOCK ENDS
to 3/8" x 3/8" then install
Flush with end of Rail
Bottom of Block @ bottom
of Rail... SHIM PANEL 3 ONLY



BREAK OFF at notches
to yield 2 Collector blocks
(discard middle section)



SHORT EDGE of Block
Flush with end of Rail
LONG EDGE @ Bottom
of Rail... SHIM PANEL 3 ONLY



Riviera Glass Dividers are warranted to be free of defects in material and workmanship for a period of one year. Product reported as defective are subject to inspection and validation by an authorized representative. Alliance Glass Doors Inc. will repair, replace or refund the original cost of the parts, at its option. Remedies do not include glass breakage (by any cause), labour, installation costs, finishing costs, indirect or consequential damages.