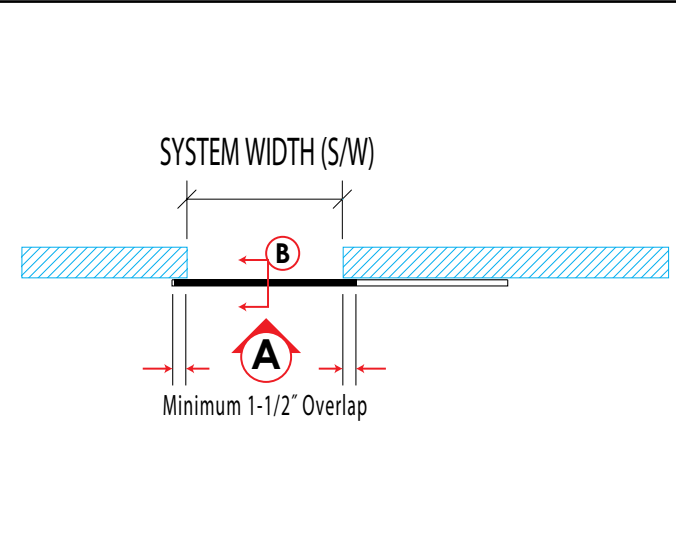
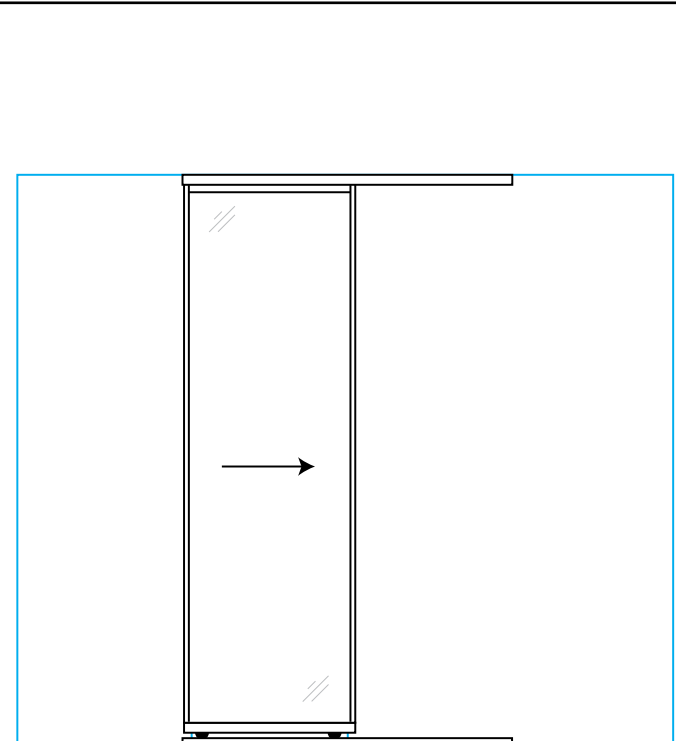


PLAN 1



ELEVATION A



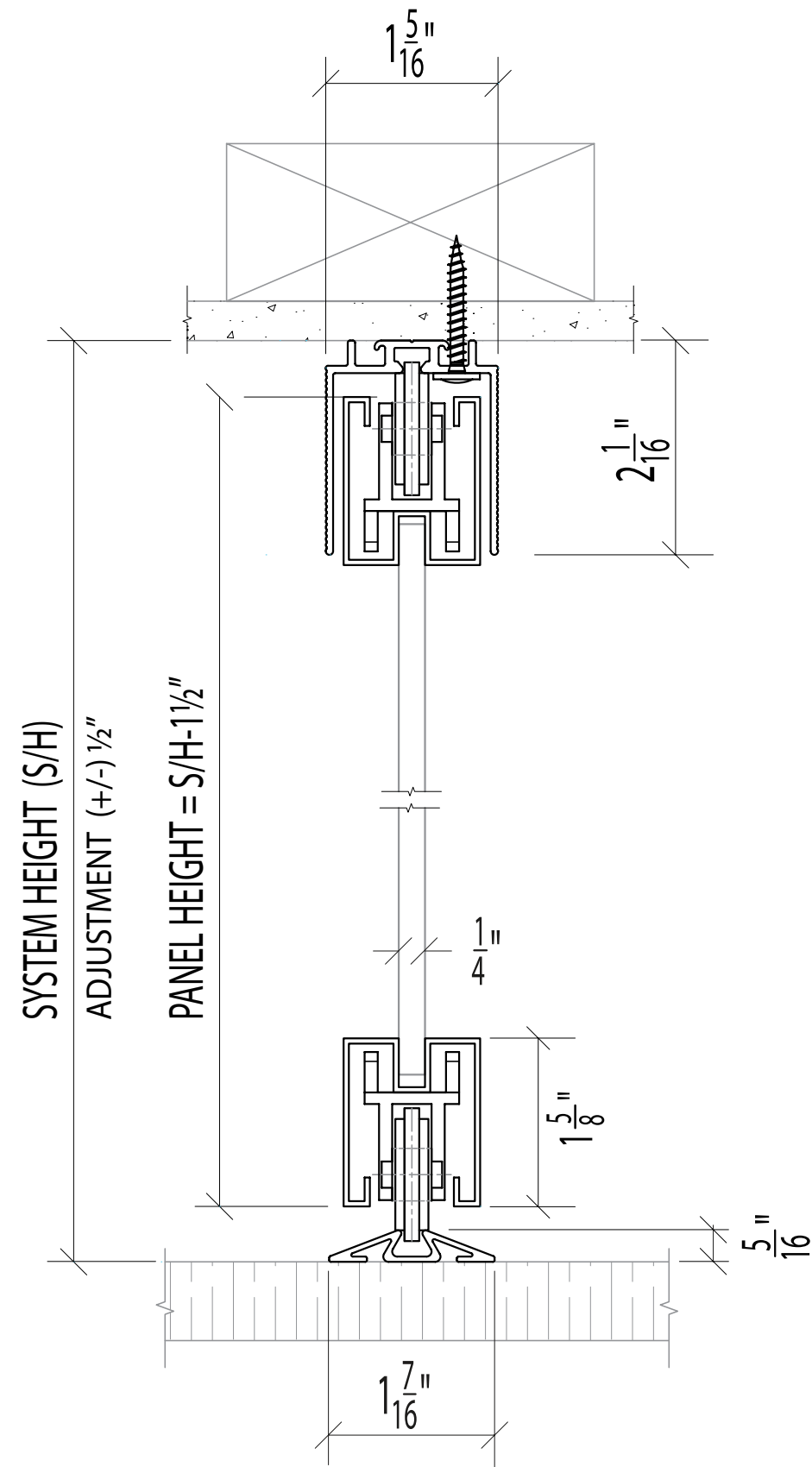
PROJECT:

ARCHITECT:

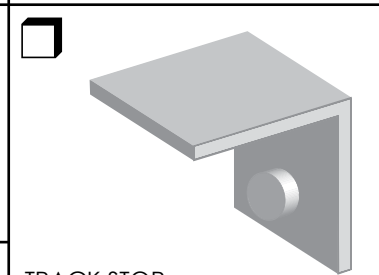
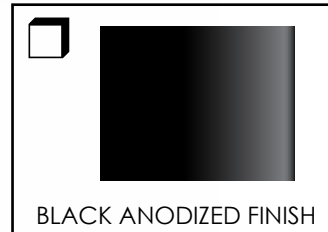
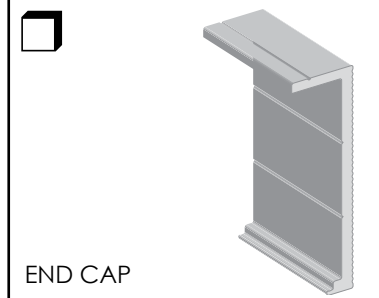
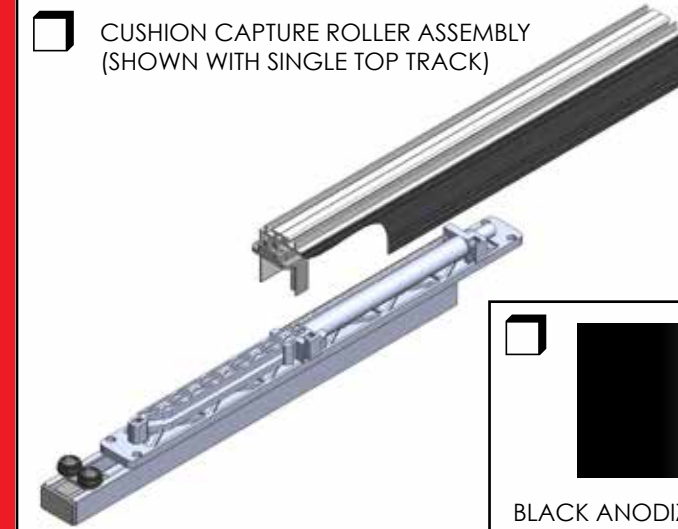


ALLIANCE GLASS DOORS INC.
 Surrey, BC, Canada, V3W 1A2
 T: 604.501.2588
 F: 604.501.1608

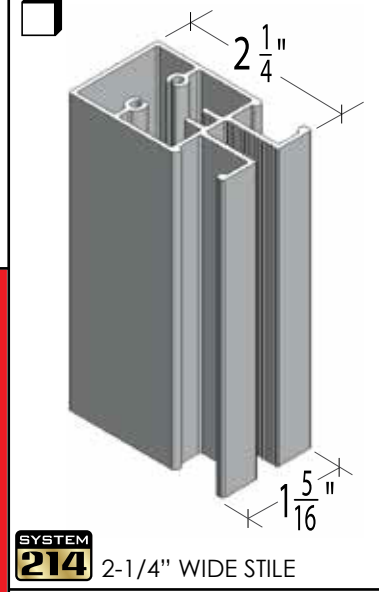
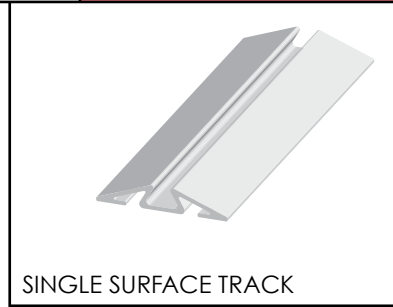
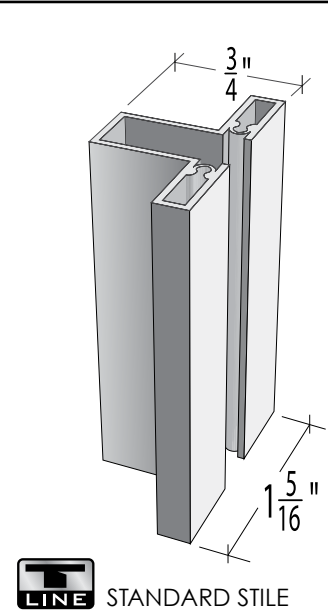
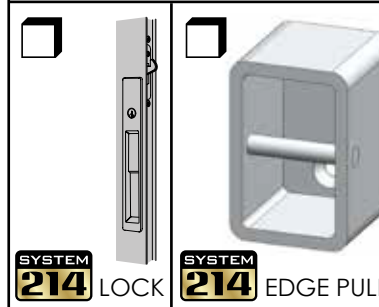
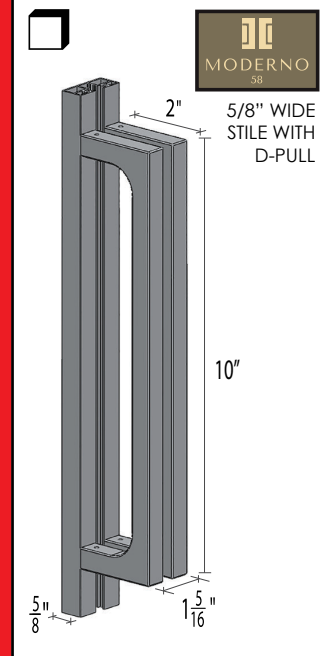
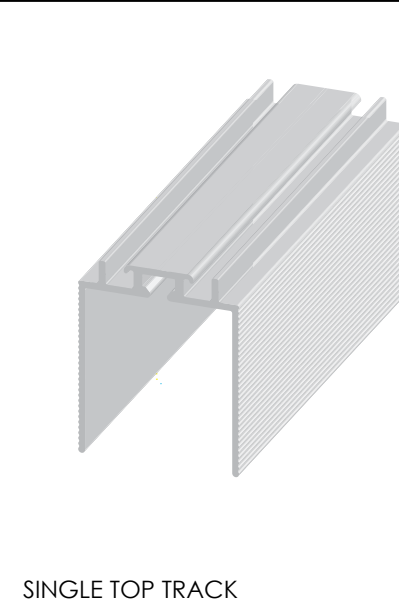
SECTION B



OPTIONAL PARTS



SYSTEM PARTS



- STANDARD INSERTS**
- DIFFUSED WHITE LAMI GLASS
 - CLEAR LAMINATED GLASS
 - MIRROR
 - PREFINISHED HARDBOARD
 - MIRROR / HARDBOARD

- SPECIAL INSERTS**
- POLAR WHITE GLASS
 - BLACK GLASS
 - CUSTOMER SUPPLIED INSERT
 - DIVISION BARS

SHEET:

JOB #:

DRAWN BY: JL

DATE: 11/01/20

CHECKED BY: DL

SAVONA Sx-SCS
 Single Track - Vertical Mount - Surface Floor Track

