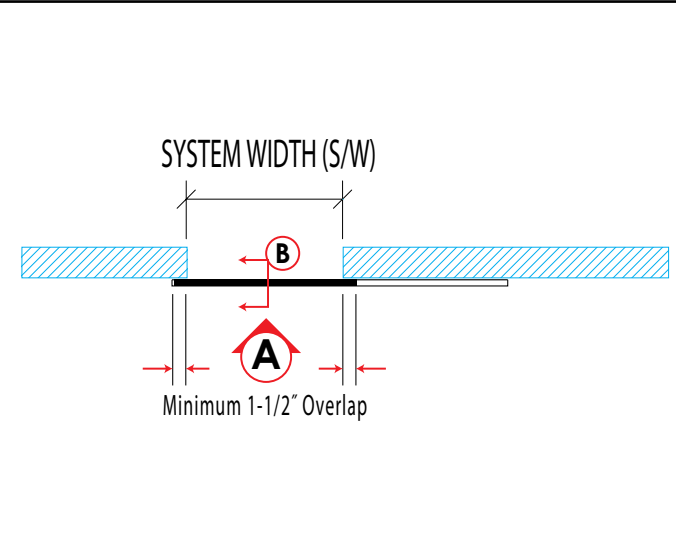
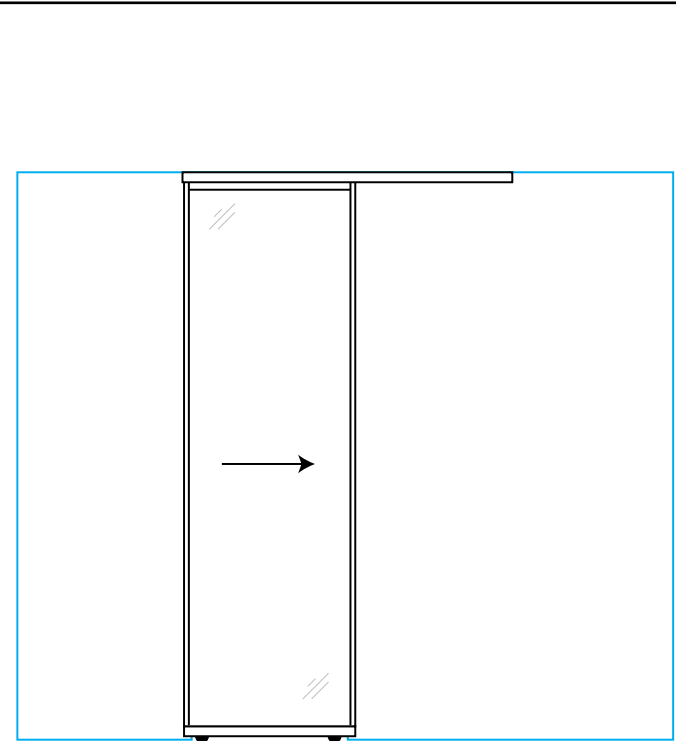


PLAN 1



ELEVATION A



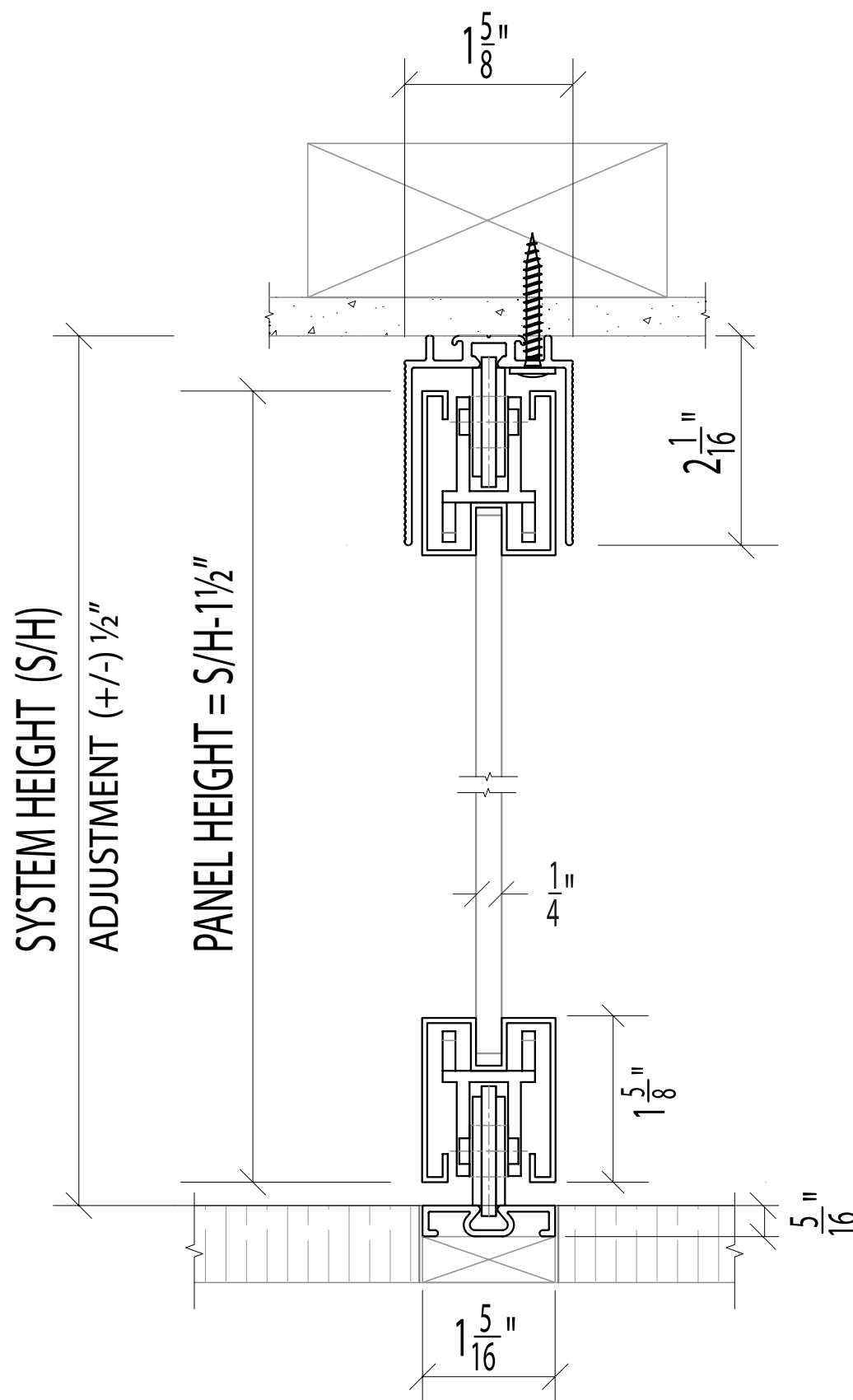
PROJECT:

ARCHITECT:

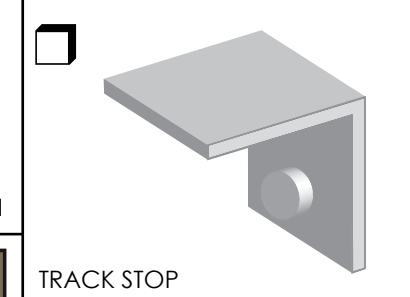
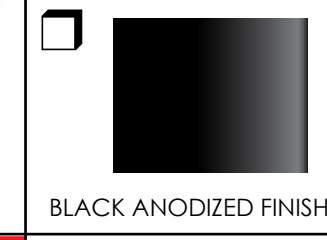
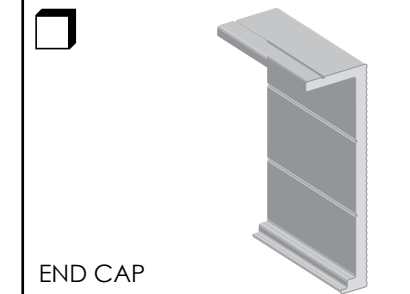


ALLIANCE GLASS DOORS INC.  
 Surrey, BC, Canada, V3W 1A2  
 T: 604.501.2588  
 F: 604.501.1608

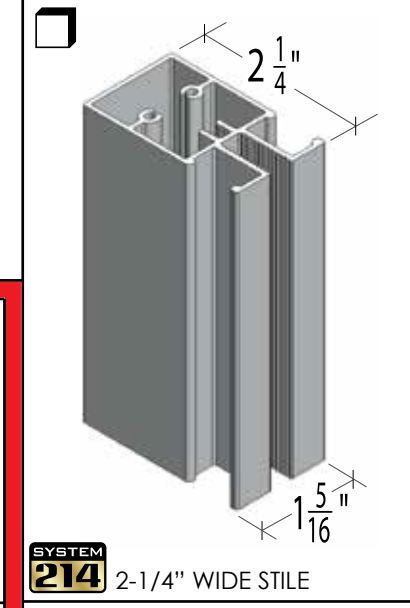
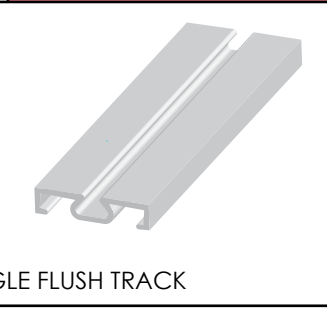
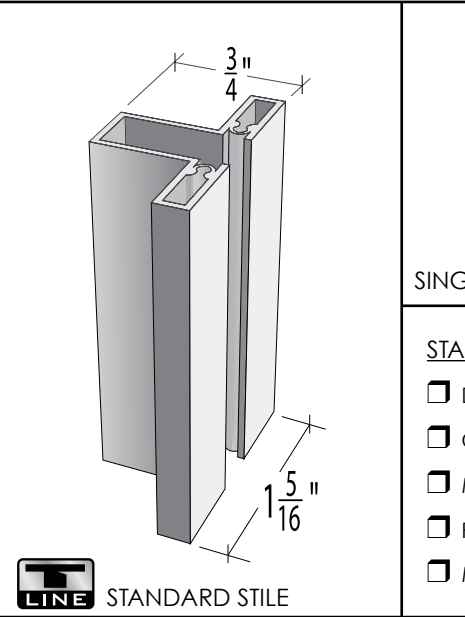
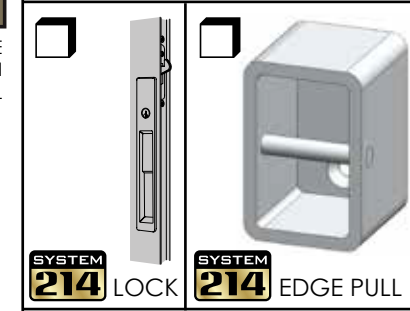
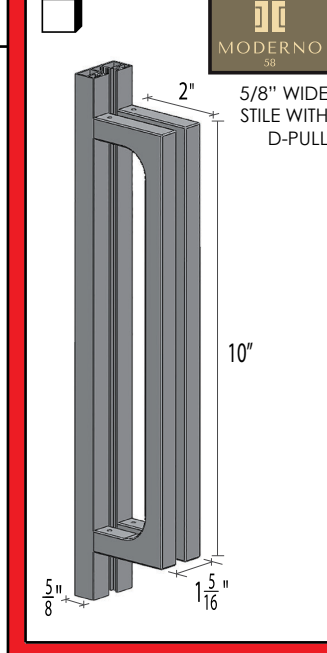
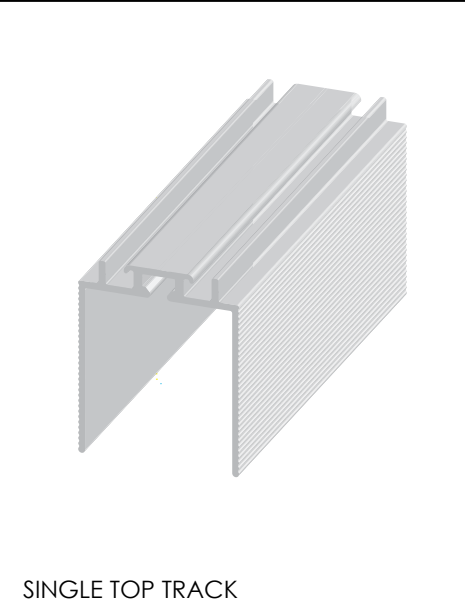
SECTION B



OPTIONAL PARTS



SYSTEM PARTS



- STANDARD INSERTS
- DIFFUSED WHITE LAMI GLASS
  - CLEAR LAMINATED GLASS
  - MIRROR
  - PREFINISHED HARDBOARD
  - MIRROR / HARDBOARD

- SPECIAL INSERTS
- POLAR WHITE GLASS
  - BLACK GLASS
  - CUSTOMER SUPPLIED INSERT
  - DIVISION BARS

SHEET:

JOB #:

DRAWN BY: JL

DATE: 11/01/20

CHECKED BY: DL

SAVONA Sx-SCF  
 Single Track - Vertical Mount - Flush Floor Track

PLEASE NOTE: "x" in the product code refers to the stile options - Standard LINE = "T"; SYSTEM 214 = "214"; MODERNO SR = "M58"

