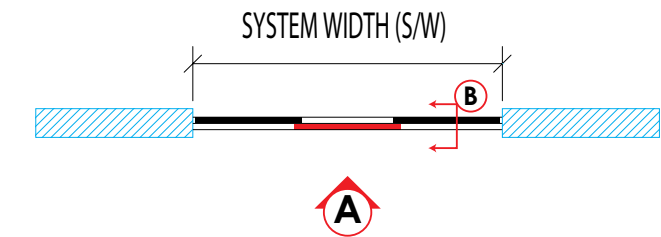


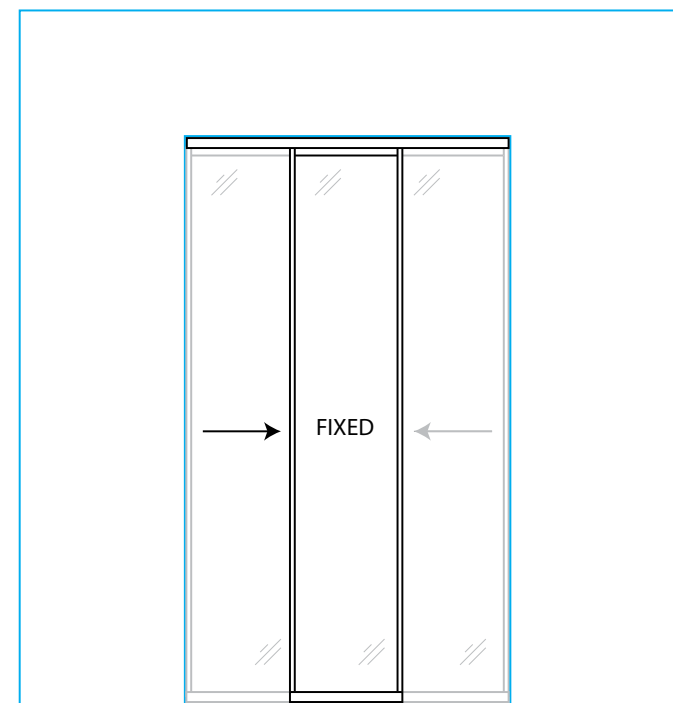
PLAN 6F

SECTION B

OPTIONAL PARTS



ELEVATION A



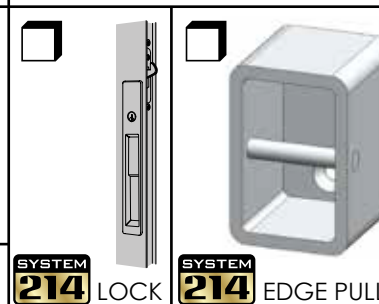
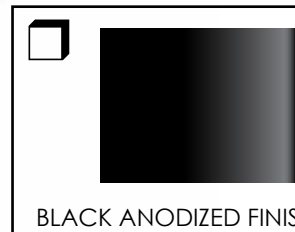
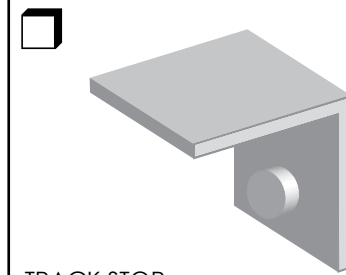
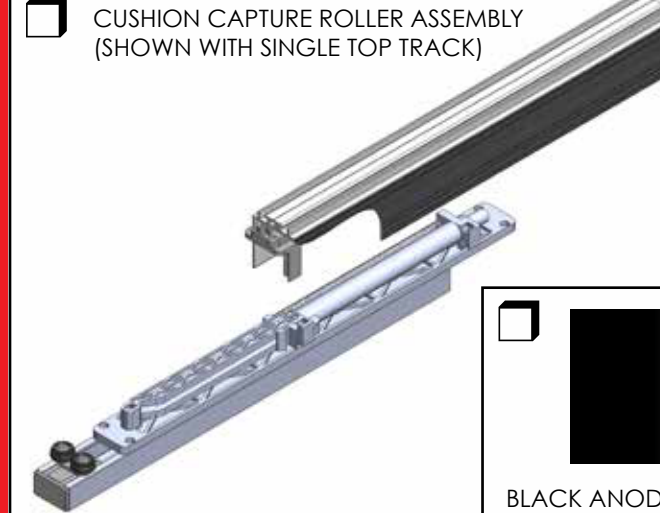
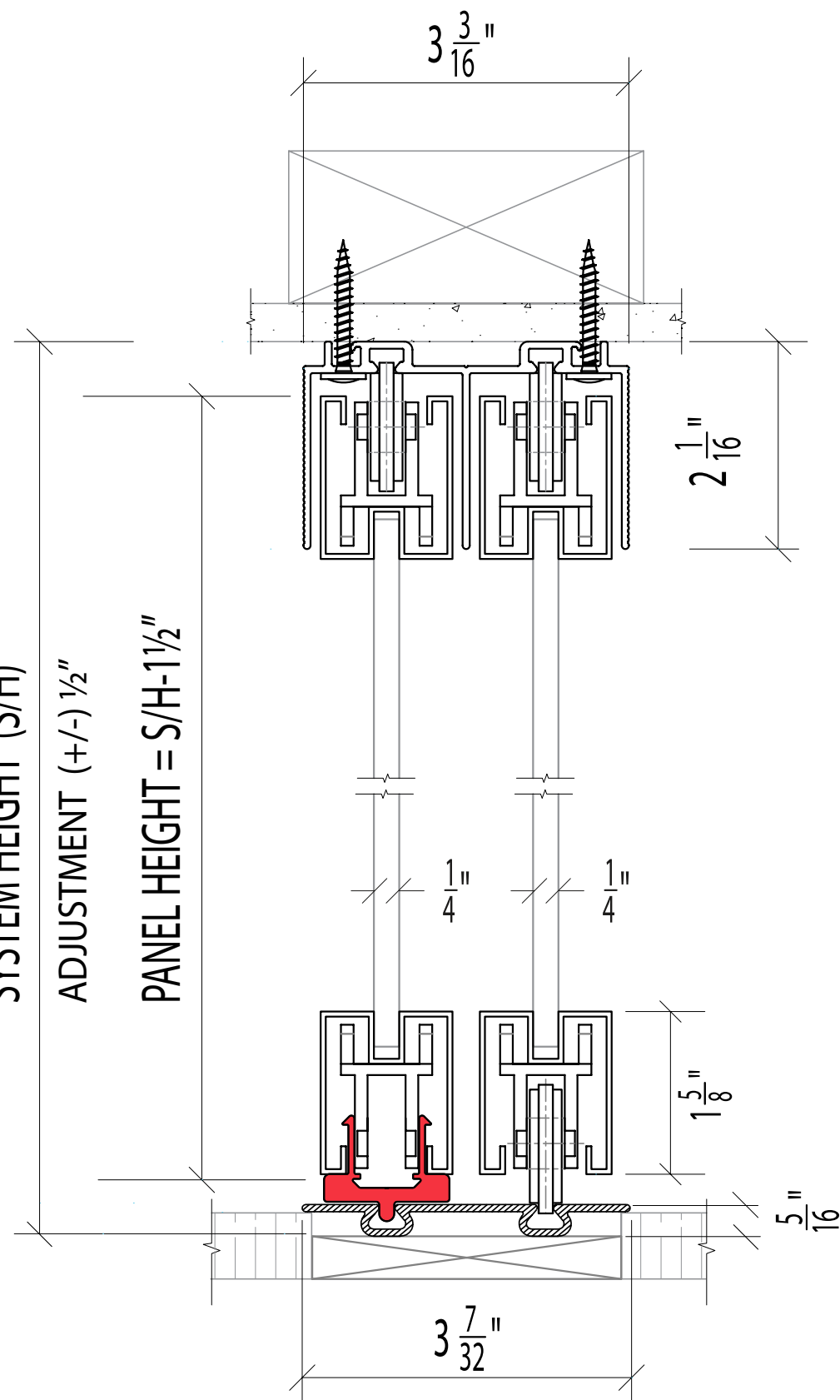
PROJECT:

ARCHITECT:

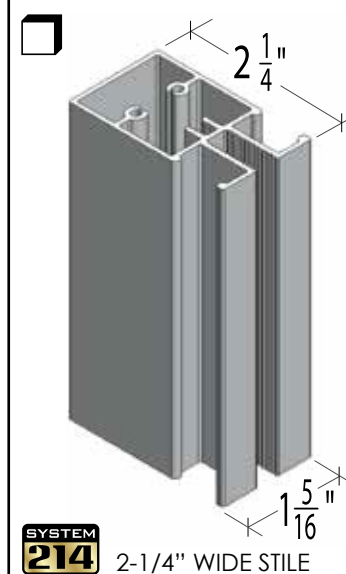
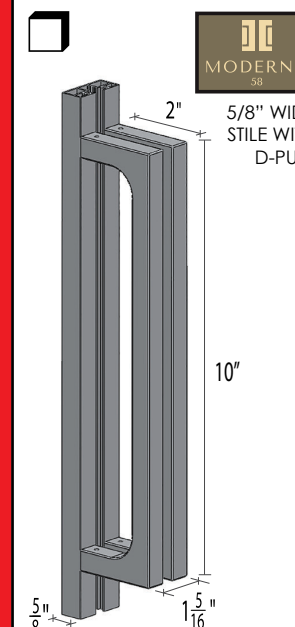
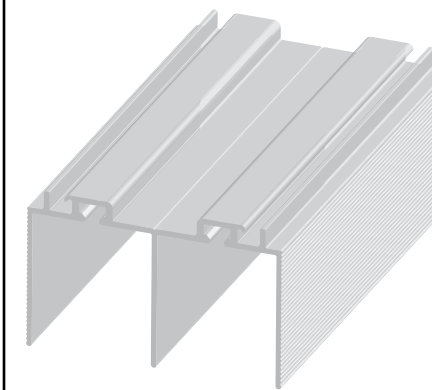


**ALLIANCE GLASS DOORS INC.**  
Surrey, BC, Canada, V3W 1A2  
T: 604.501.2588  
F: 604.501.1608

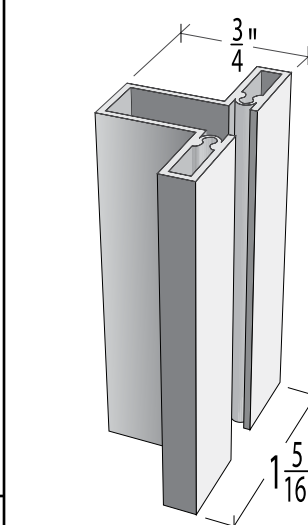
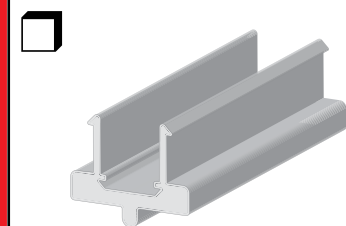
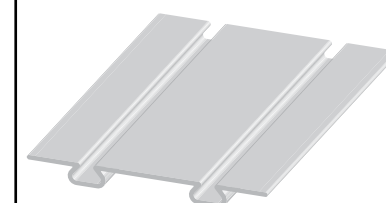
SYSTEM HEIGHT (S/H)  
ADJUSTMENT (+/-) 1/2"  
PANEL HEIGHT = S/H-1 1/2"



SYSTEM PARTS



DUAL FLUSH TRACK



STANDARD INSERTS

- DIFFUSED WHITE LAMI GLASS
- CLEAR LAMINATED GLASS
- MIRROR
- PREFINISHED HARDBOARD
- MIRROR / HARDBOARD

SPECIAL INSERTS

- POLAR WHITE GLASS
- BLACK GLASS
- CUSTOMER SUPPLIED INSERT
- DIVISION BARS

SHEET:

JOB #:

DRAWN BY: JL

DATE: 11/01/20

CHECKED BY: DL

**SAVONA Sx-DCF**  
Double Track - Vertical Mount - Flush Floor Track

PLEASE NOTE: "x" in the product code refers to the stile options - Standard LINE = "T"; SYSTEM 214 = "214"; MODERNO = "M58"

