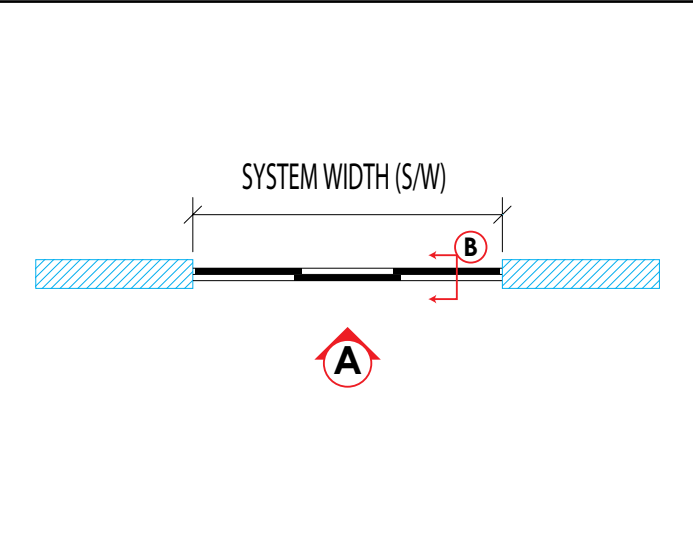


PLAN 6

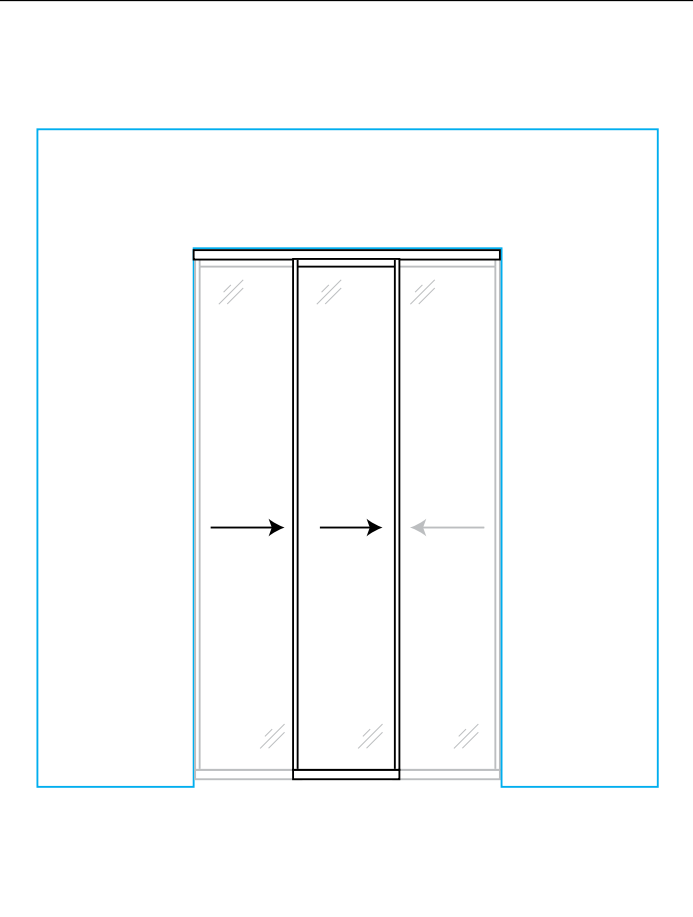
SECTION B

SYSTEM PARTS

OPTIONAL PARTS



ELEVATION A

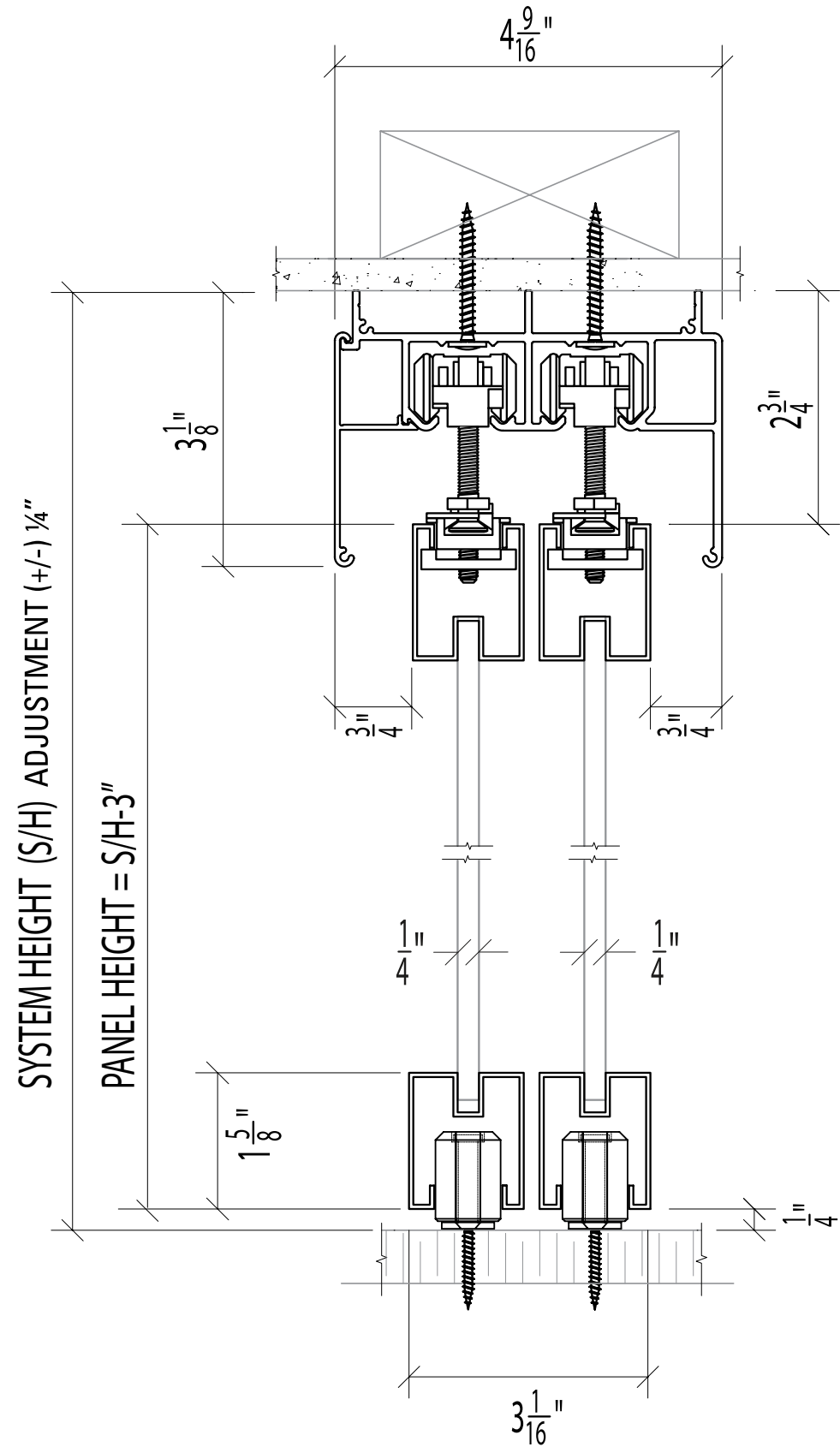


PROJECT:

ARCHITECT:



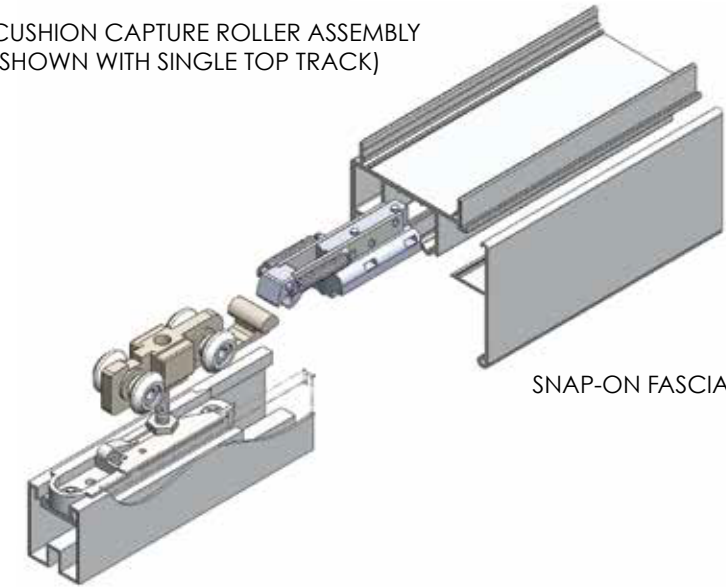
**ALLIANCE GLASS DOORS INC.**  
 Surrey, BC, Canada, V3W 1A2  
 T: 604.501.2588  
 F: 604.501.1608



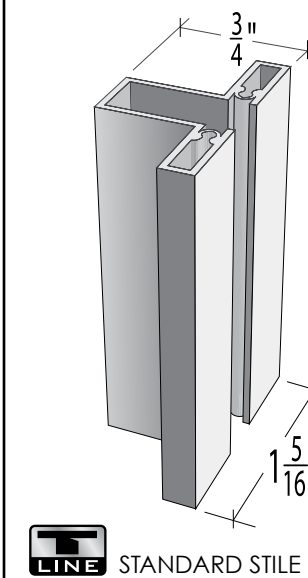
SYSTEM HEIGHT (S/H) ADJUSTMENT (+/-) 1/4"

PANEL HEIGHT = S/H-3"

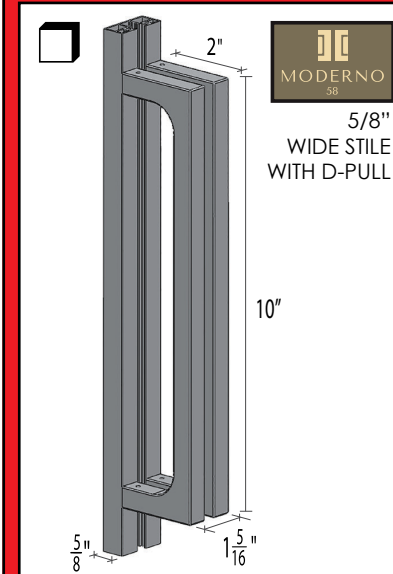
CUSHION CAPTURE ROLLER ASSEMBLY (SHOWN WITH SINGLE TOP TRACK)



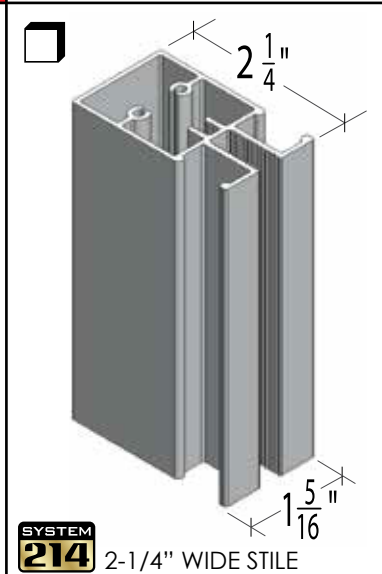
SNAP-ON FASCIA



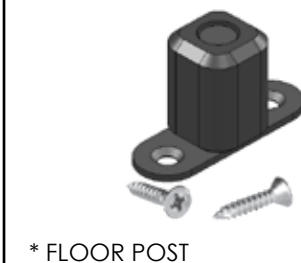
LINE STANDARD STILE



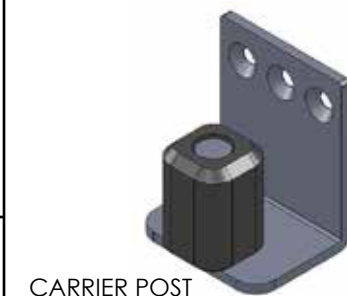
MODERNO  
 5/8"  
 WIDE STILE  
 WITH D-PULL



SYSTEM 214  
 2-1/4" WIDE STILE



\* FLOOR POST



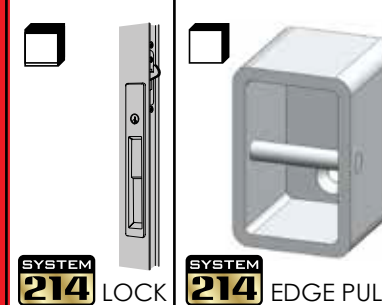
CARRIER POST

STANDARD INSERTS

- DIFFUSED WHITE LAMI GLASS
- CLEAR LAMINATED GLASS
- MIRROR
- PREFINISHED HARDBOARD
- MIRROR / HARDBOARD

SPECIAL INSERTS

- POLAR WHITE GLASS
- BLACK GLASS
- CUSTOMER SUPPLIED INSERT
- DIVISION BARS



SYSTEM 214 LOCK

SYSTEM 214 EDGE PULL

SHEET:

JOB #:

DRAWN BY: JL

DATE: 11/01/20

CHECKED BY: DL

**MONACO Mx-DCP\***  
 Double Track - Vertical Mount - Floor Post

PLEASE NOTE: "x" in the product code refers to the stile options - Standard LINE = "T"; SYSTEM 214 = "214"; MODERNO = "M58"