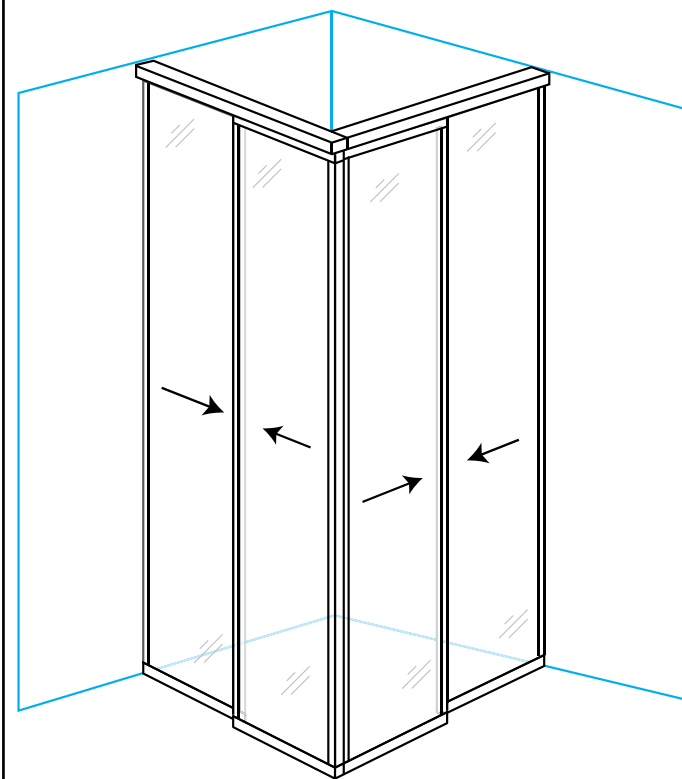


ELEVATION A



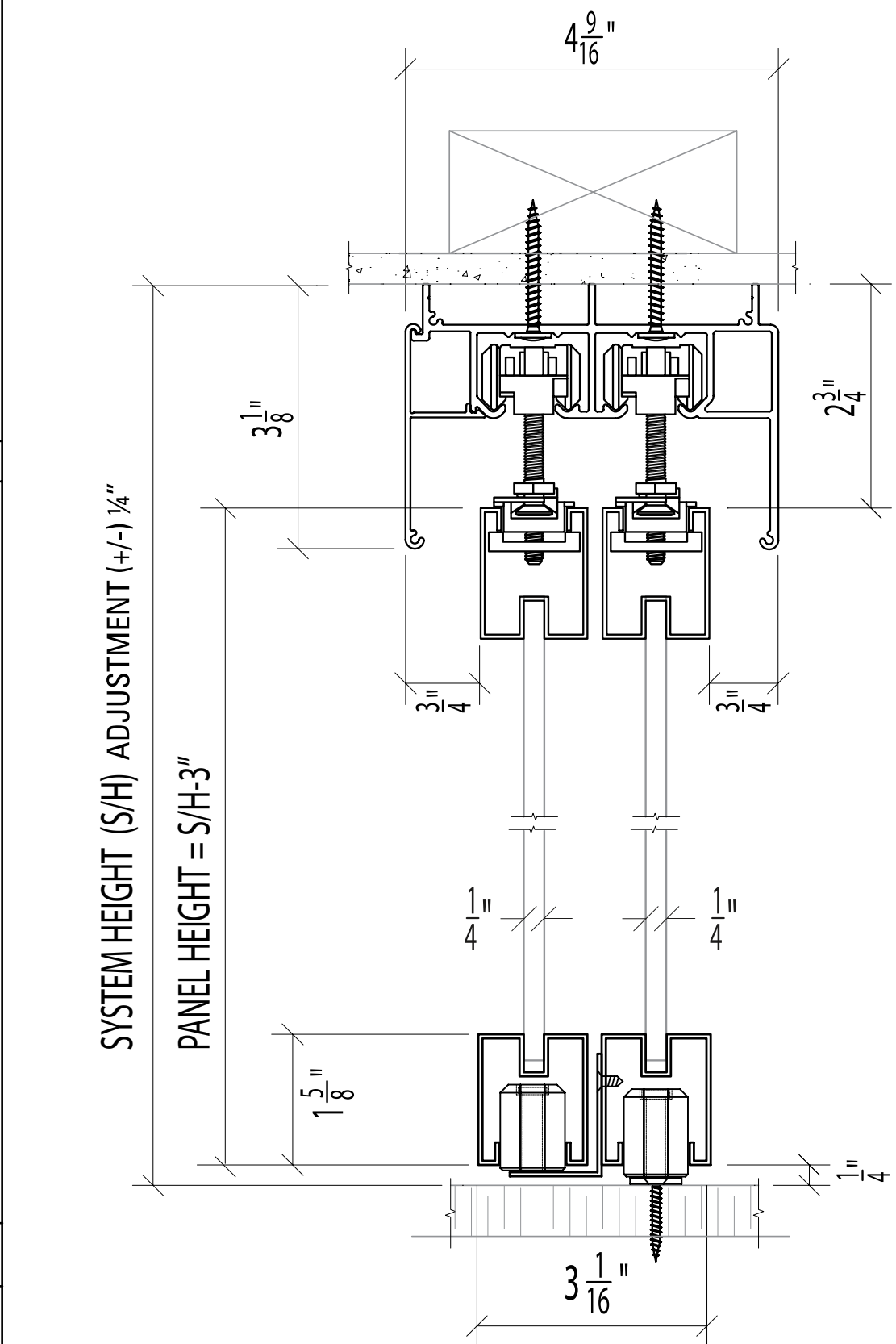
SEE INSTALLATION INSTRUCTIONS FOR CORNER DETAILS

PROJECT:

ARCHITECT:



ALLIANCE GLASS DOORS INC.
 Surrey, BC, Canada, V3W 1A2
 T: 604.501.2588
 F: 604.501.1608



SYSTEM HEIGHT (S/H) ADJUSTMENT (+/-) 1/4"

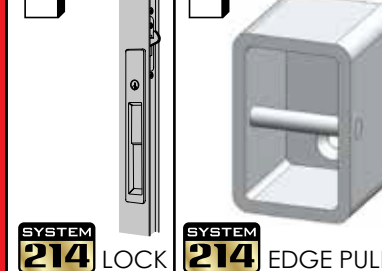
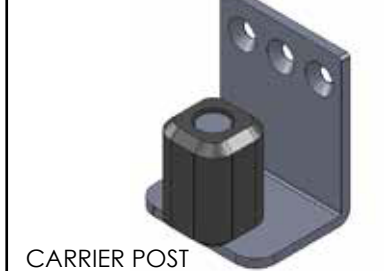
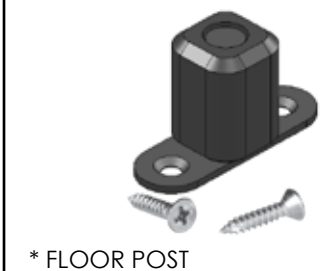
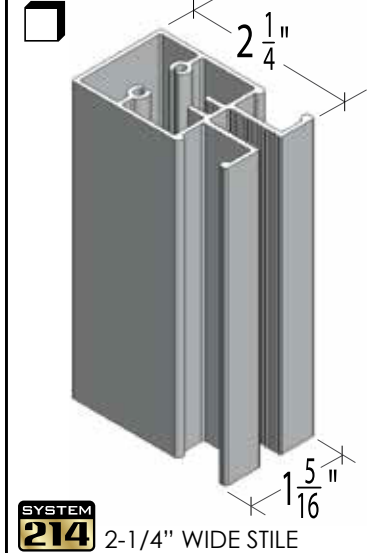
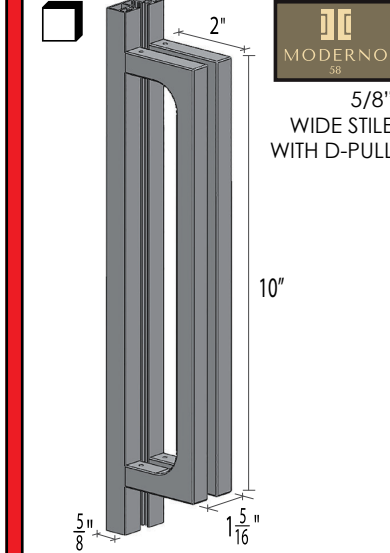
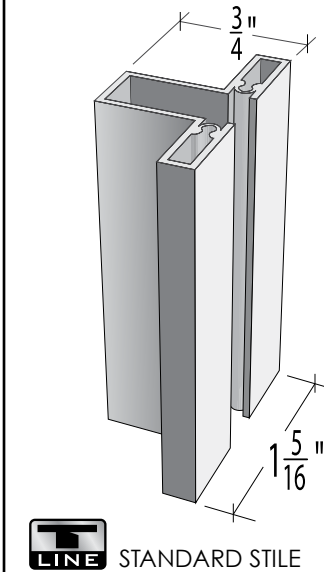
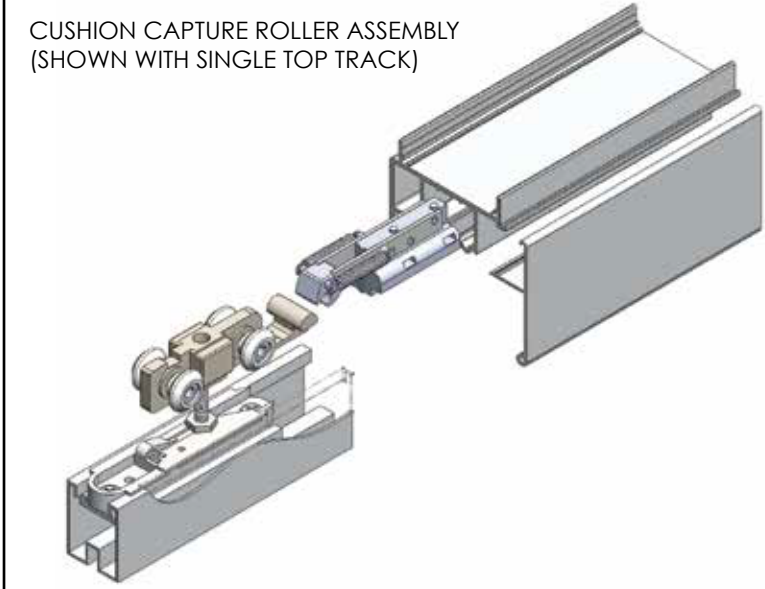
PANEL HEIGHT = S/H-3"

MONACO Mx-DCP* with Mx-DCP at 90°

Double Track - Vertical Mount - Floor Post with Carrier Post to Double Track - Vertical Mount - Floor Post with Carrier Post

SHEET:

JOB #:



STANDARD INSERTS

- DIFFUSED WHITE LAMI GLASS
- CLEAR LAMINATED GLASS
- MIRROR
- PREFINISHED HARDBOARD
- MIRROR / HARDBOARD

SPECIAL INSERTS

- POLAR WHITE GLASS
- BLACK GLASS
- CUSTOMER SUPPLIED INSERT
- DIVISION BARS

DRAWN BY: JL

DATE: 11/08/20

CHECKED BY: DL