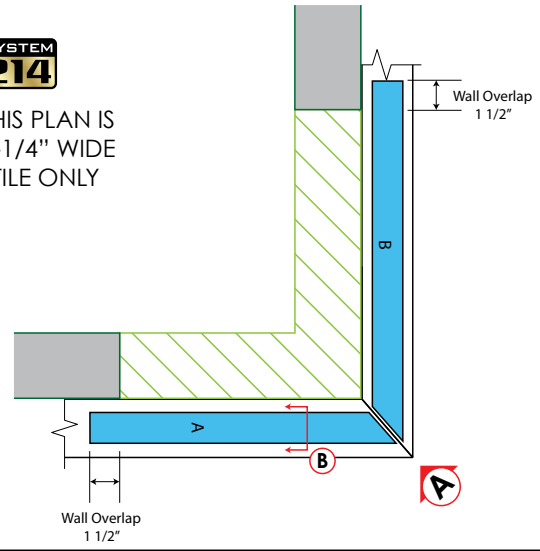
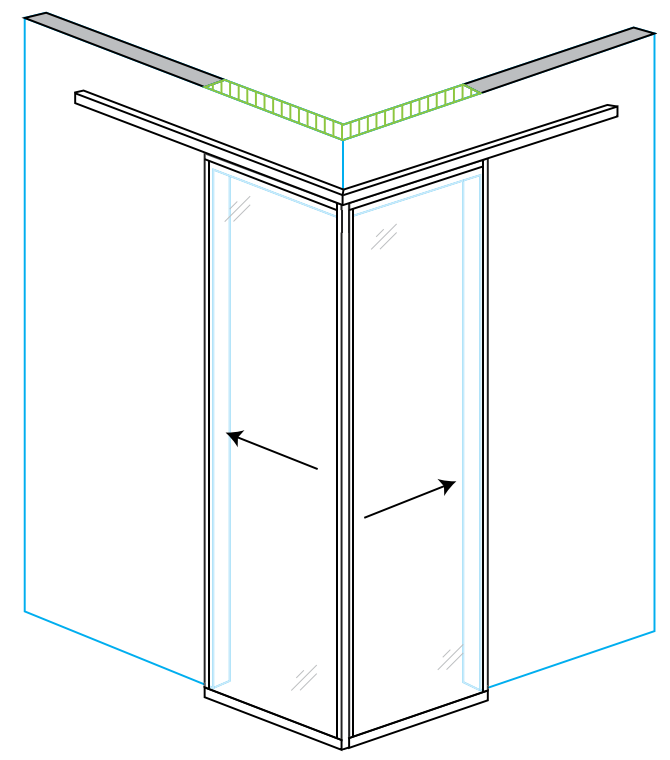




THIS PLAN IS 2-1/4" WIDE STILE ONLY



ELEVATION A



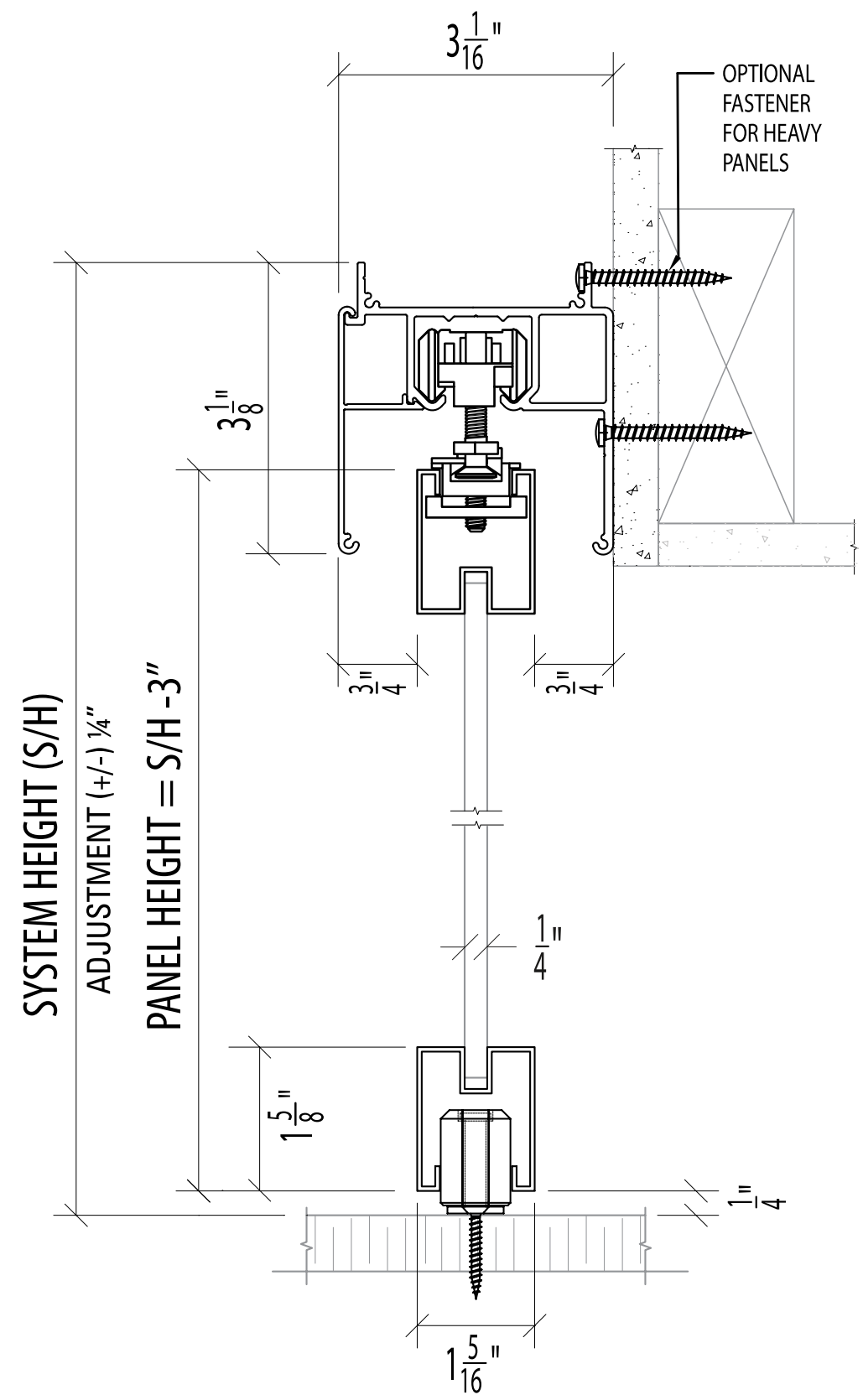
SEE INSTALLATION INSTRUCTIONS FOR CORNER DETAILS

PROJECT:

ARCHITECT:



ALLIANCE GLASS DOORS INC.
 Surrey, BC, Canada, V3W 1A2
 T: 604.501.2588
 F: 604.501.1608



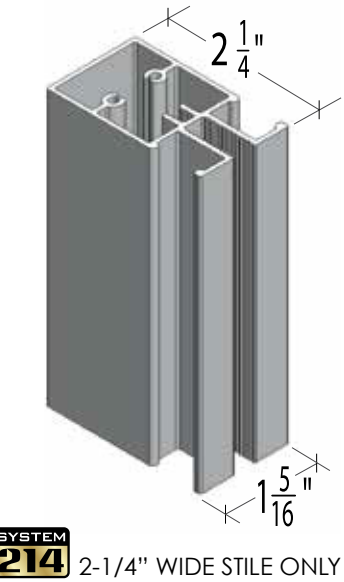
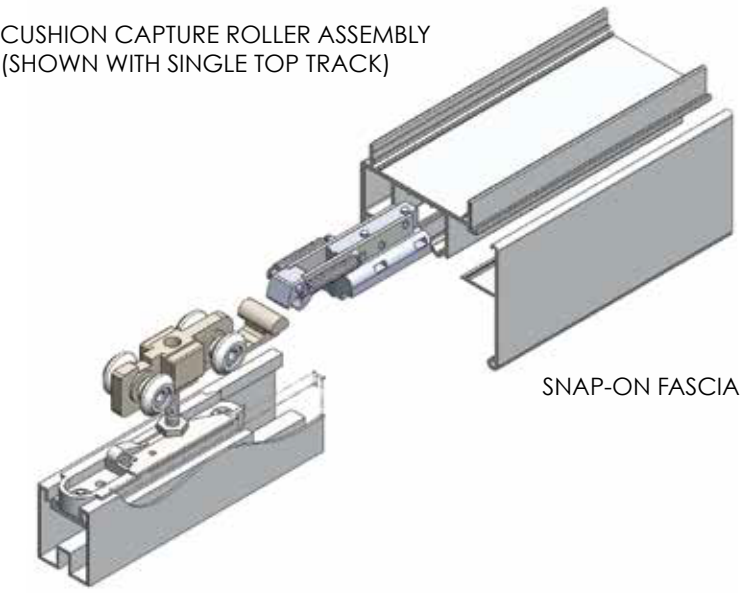
SYSTEM HEIGHT (S/H)
 ADJUSTMENT (+/-) 1/4"
 PANEL HEIGHT = S/H - 3"

MONACO Mx-SWP* with Mx-SWP* at 90°
 Single Track - Outside Wall Mount - Floor Post to Single Track - Outside Wall Mount - Floor Post

SHEET:

JOB #:

CUSHION CAPTURE ROLLER ASSEMBLY (SHOWN WITH SINGLE TOP TRACK)



SYSTEM 214 2-1/4" WIDE STILE ONLY

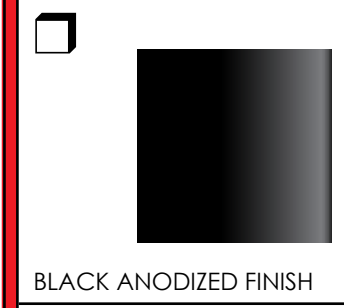


* FLOOR POST

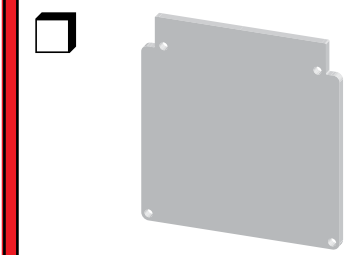


CARRIER POST

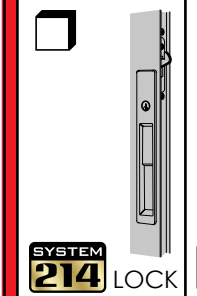
- STANDARD INSERTS
- DIFFUSED WHITE LAMI GLASS
 - CLEAR LAMINATED GLASS
 - MIRROR
 - PREFINISHED HARDBOARD
 - MIRROR / HARDBOARD



BLACK ANODIZED FINISH



TRACK END CAP



SYSTEM 214 LOCK



SYSTEM 214 EDGE PULL

- SPECIAL INSERTS
- POLAR WHITE GLASS
 - BLACK GLASS
 - CUSTOMER SUPPLIED INSERT
 - DIVISION BARS

DRAWN BY: JL

DATE: 11/01/20

CHECKED BY: DL