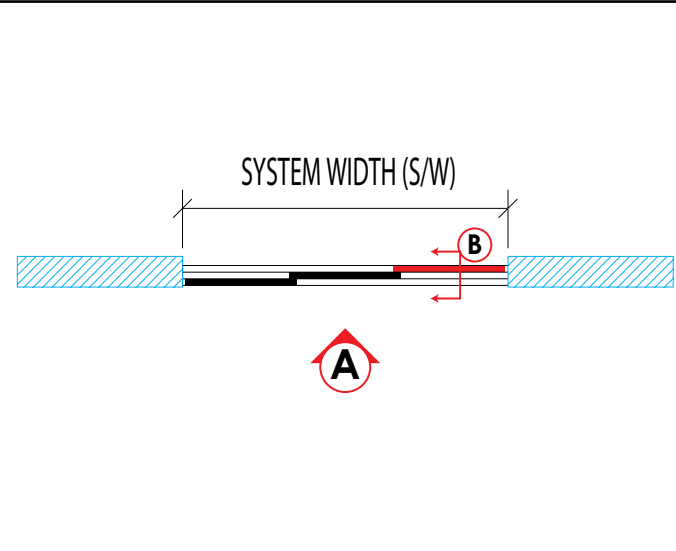
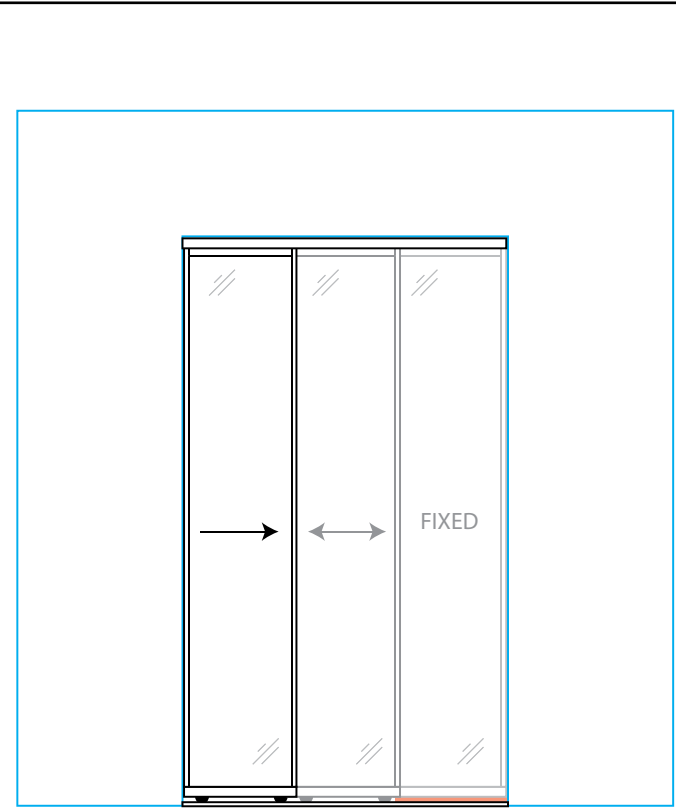


PLAN 9F



ELEVATION A



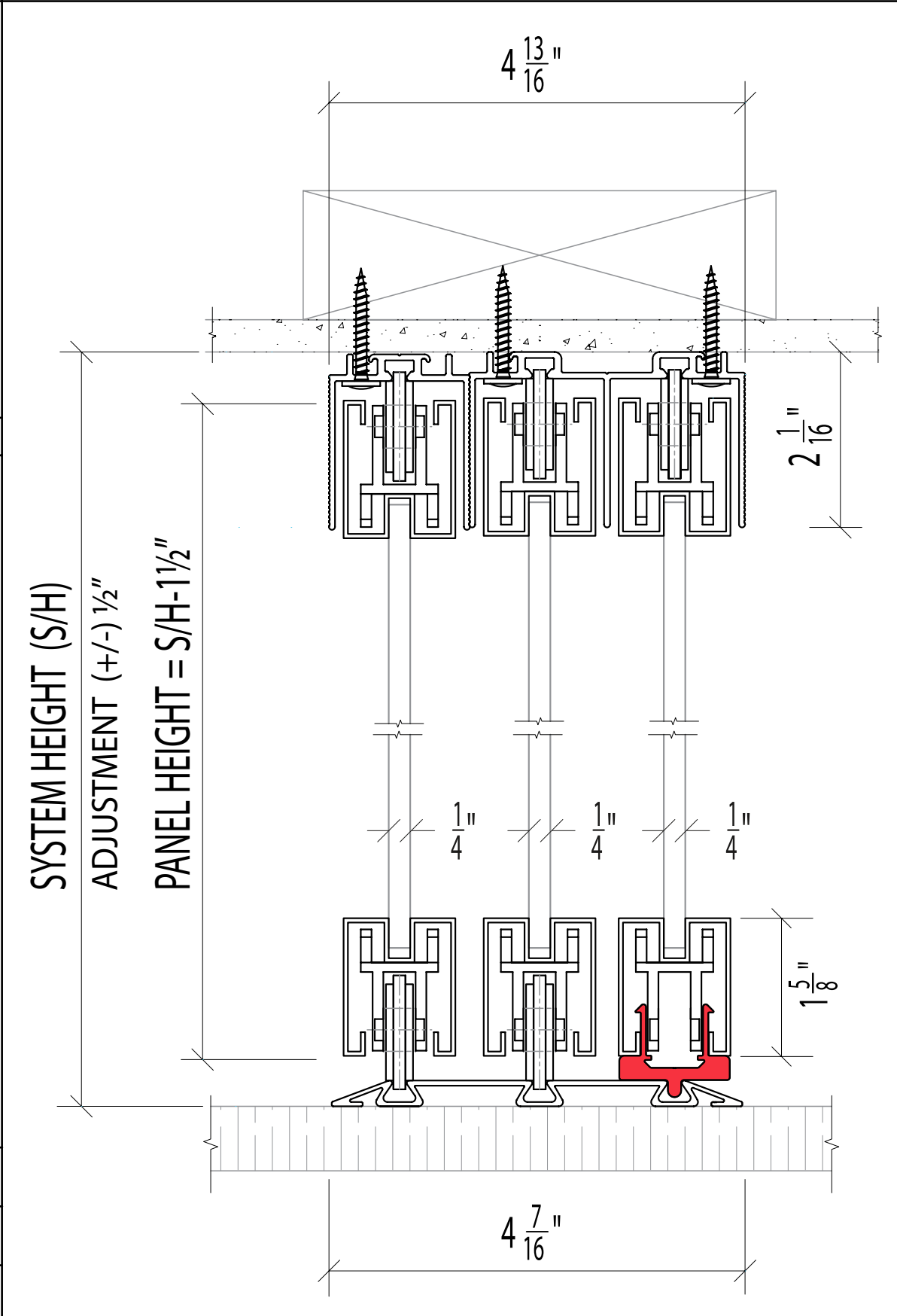
PROJECT:

ARCHITECT:



ALLIANCE GLASS DOORS INC.  
Surrey, BC, Canada, V3W 1A2  
T: 604.501.2588  
F: 604.501.1608

SECTION B

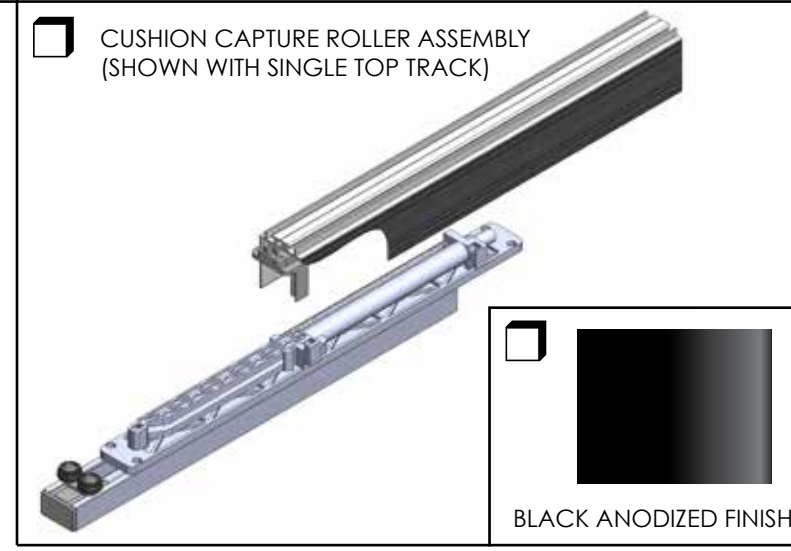


**SAVONA Sx-TCS**  
Triple Track - Ceiling Mount - Surface Floor Track

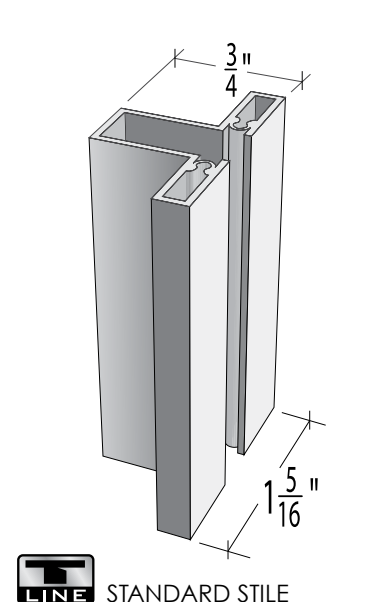
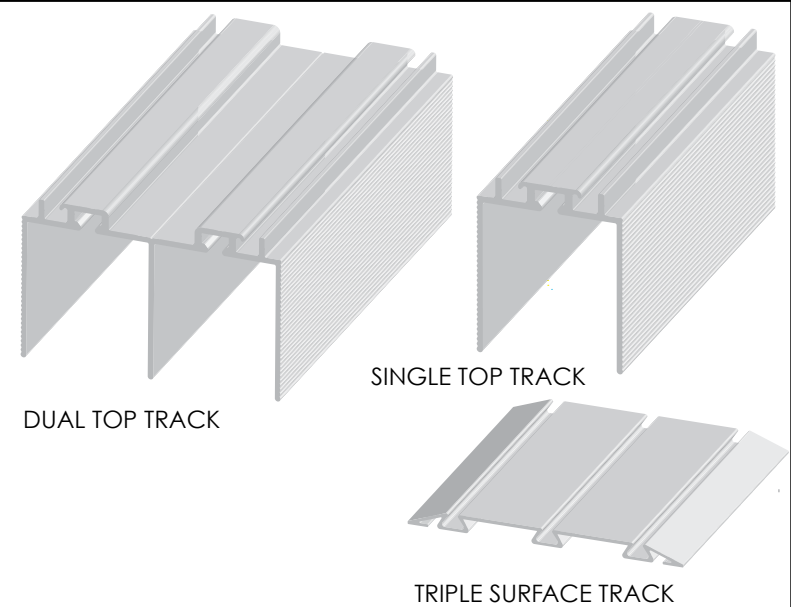
SHEET:

JOB #:

OPTIONAL PARTS

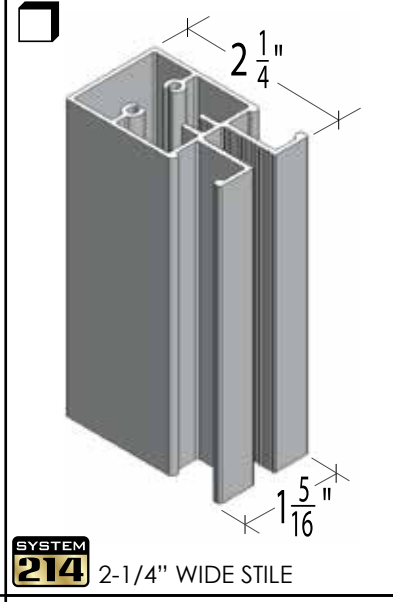
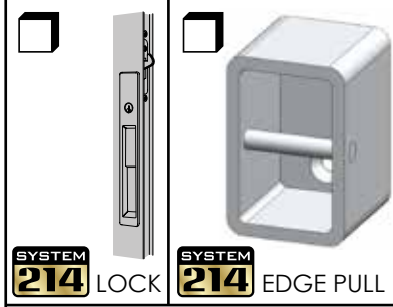
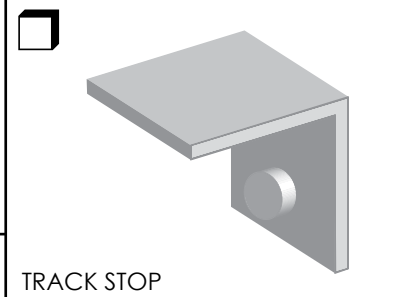
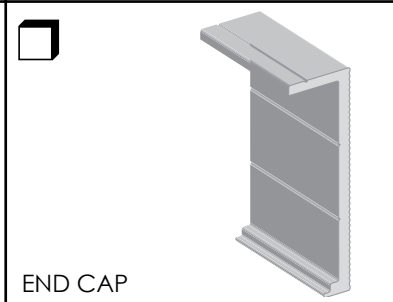


SYSTEM PARTS



- STANDARD INSERTS**
- DIFFUSED WHITE LAMI GLASS
  - CLEAR LAMINATED GLASS
  - MIRROR
  - PREFINISHED HARDBOARD
  - MIRROR / HARDBOARD

- SPECIAL INSERTS**
- POLAR WHITE GLASS
  - BLACK GLASS
  - CABANA LITE LAMI GLASS
  - WHITE SAND LAMI GLASS
  - CUSTOMER SUPPLIED INSERT
  - DIVISION BARS



DRAWN BY: JL

DATE: 07/22/17

CHECKED BY: DL

PLEASE NOTE: "x" in the product code refers to the stile options - Standard LINE = "T"; SYSTEM 214 = "214"