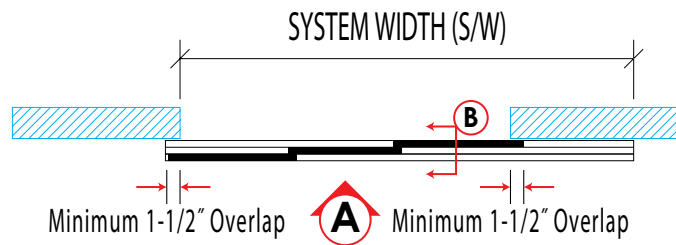
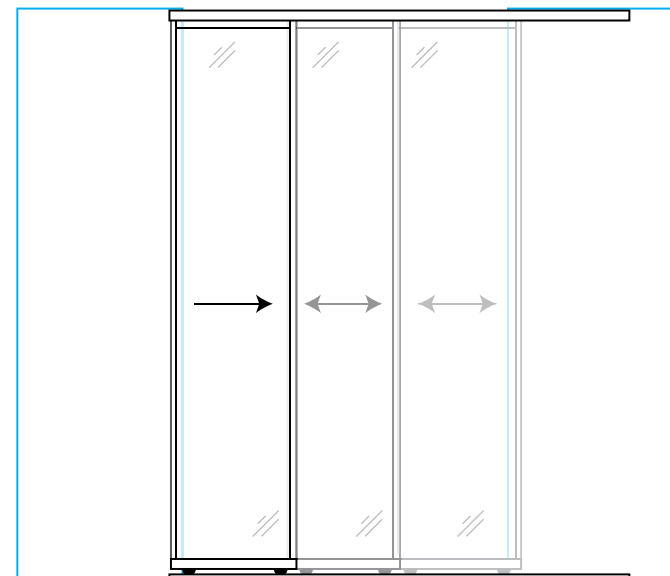


PLAN 10



ELEVATION A



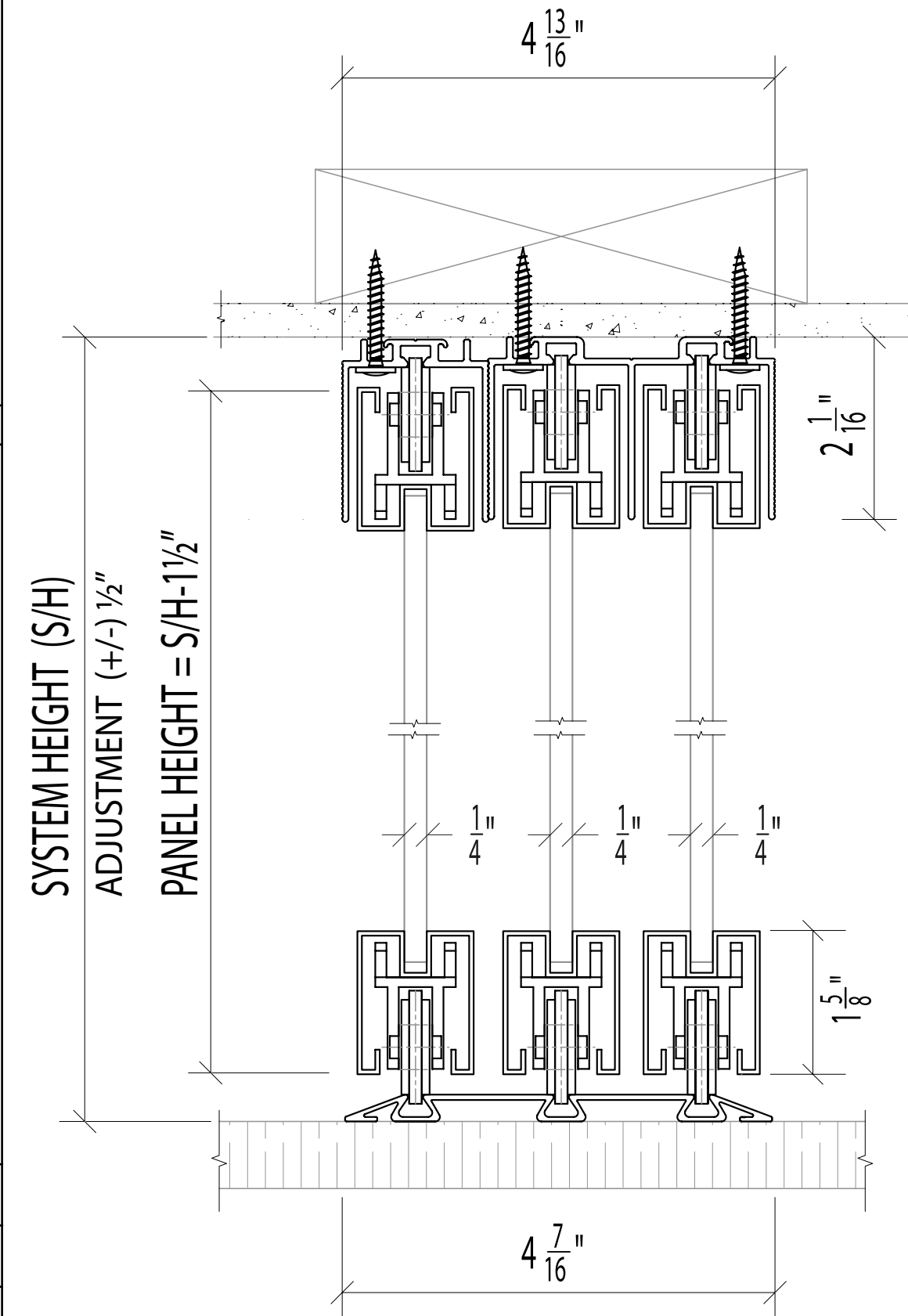
PROJECT:

ARCHITECT:



ALLIANCE GLASS DOORS INC.  
 Surrey, BC, Canada, V3W 1A2  
 T: 604.501.2588  
 F: 604.501.1608

SECTION B

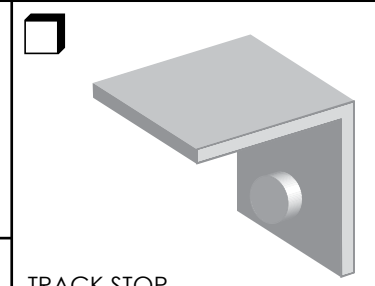
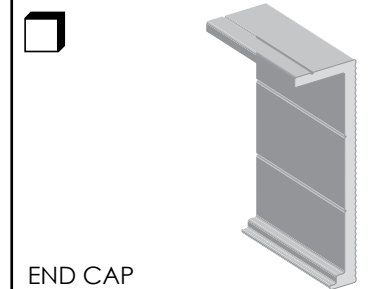
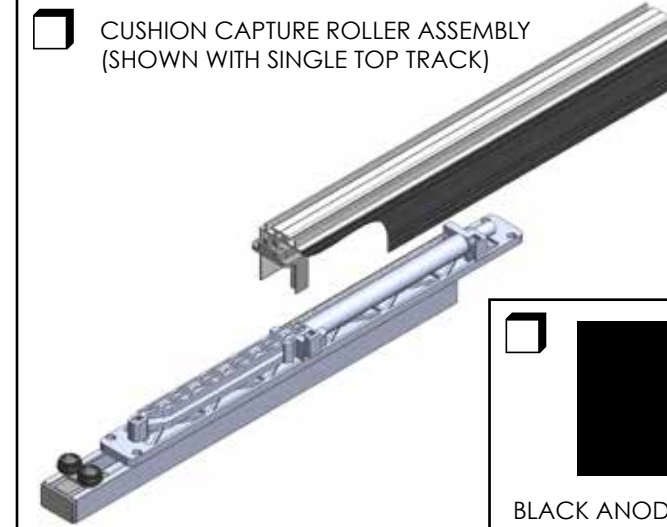


**SAVONA Sx-TCS**  
 Triple Track - Ceiling Mount - Surface Floor Track

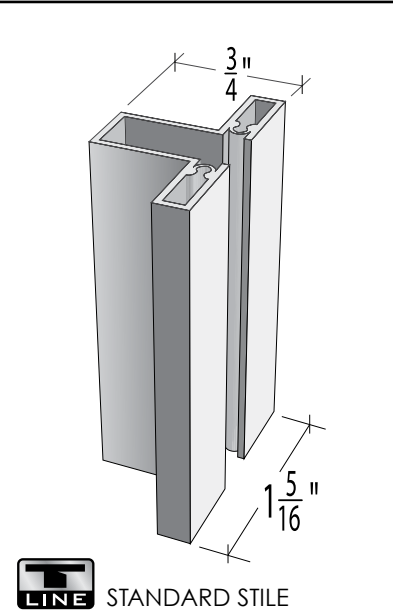
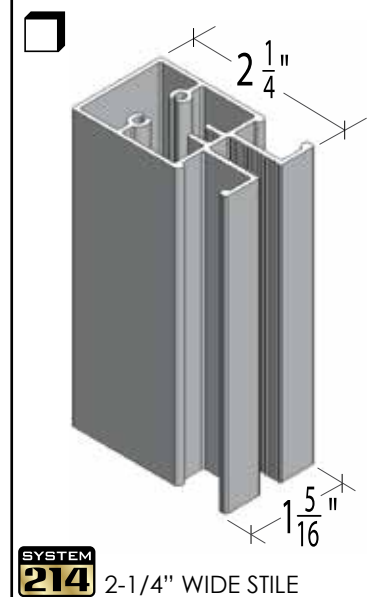
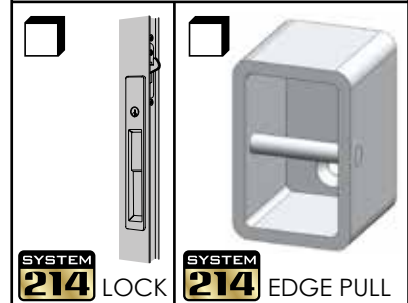
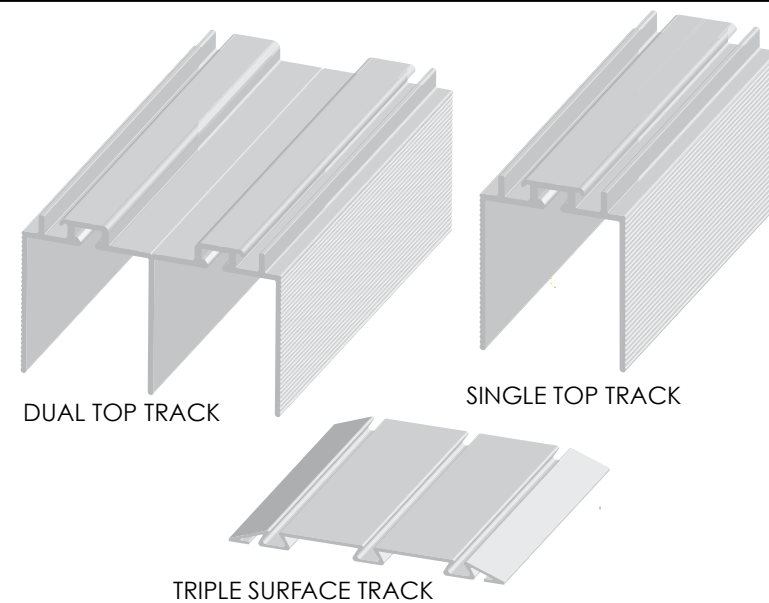
SHEET:

JOB #:

OPTIONAL PARTS



SYSTEM PARTS

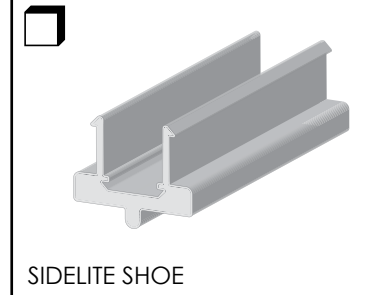


STANDARD INSERTS

- DIFFUSED WHITE LAMI GLASS
- CLEAR LAMINATED GLASS
- MIRROR
- PREFINISHED HARDBOARD
- MIRROR / HARDBOARD

SPECIAL INSERTS

- POLAR WHITE GLASS
- BLACK GLASS
- CABANA LITE LAMI GLASS
- WHITE SAND LAMI GLASS
- CUSTOMER SUPPLIED INSERT
- DIVISION BARS



DRAWN BY: JL

DATE: 07/22/17

CHECKED BY: DL