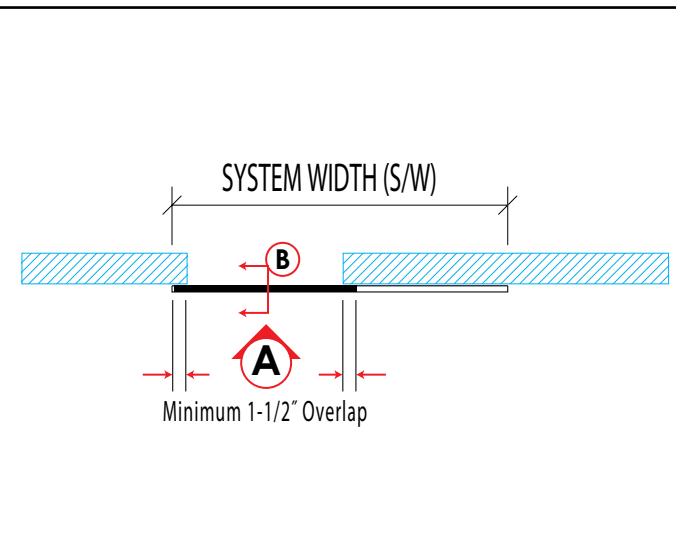
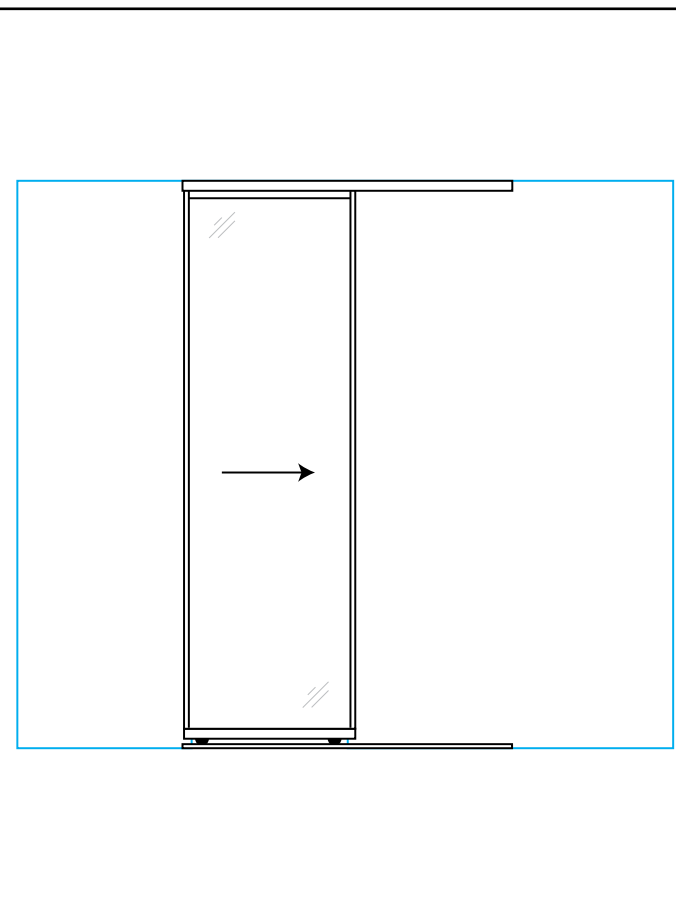


PLAN 1



ELEVATION A



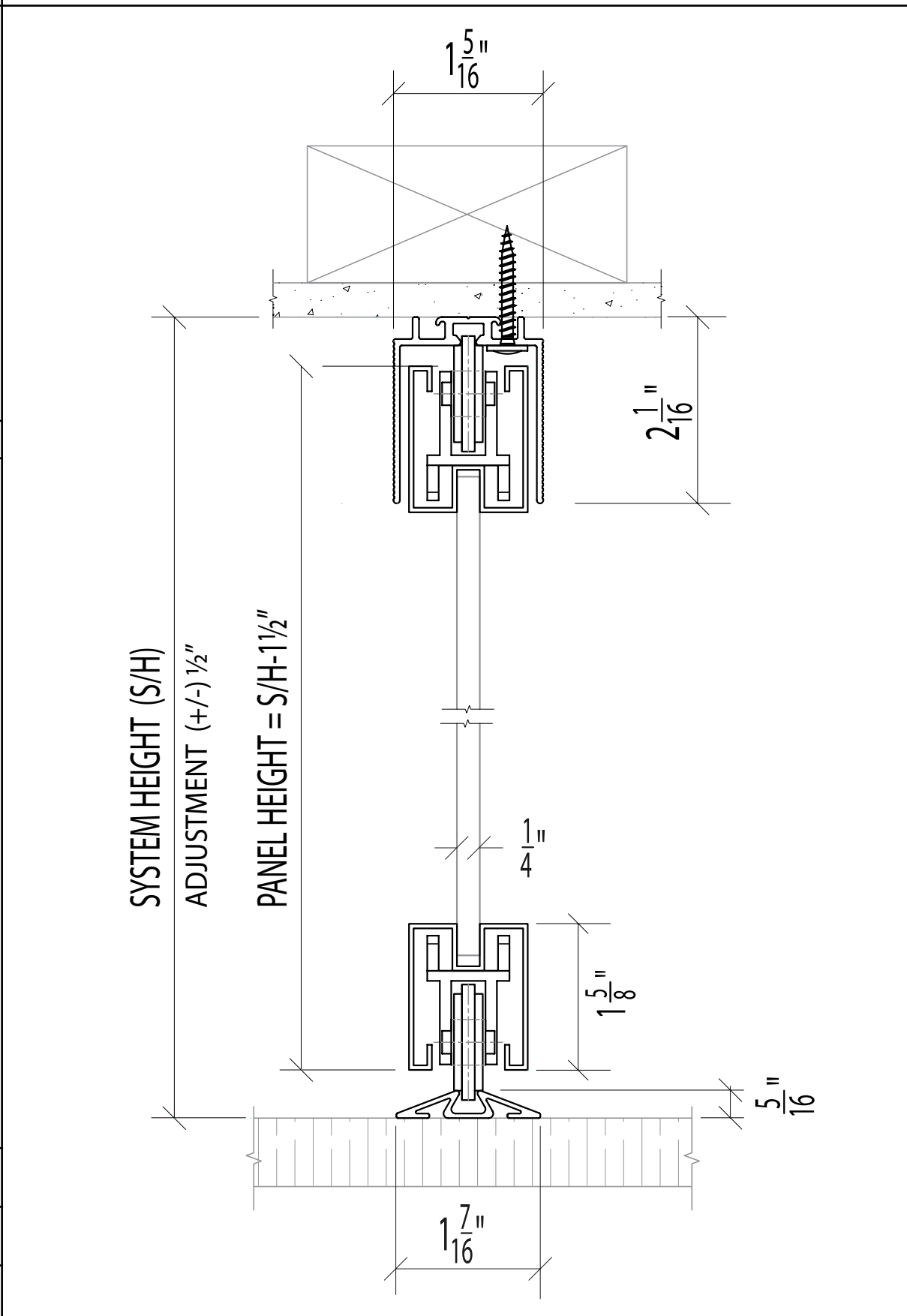
PROJECT:

ARCHITECT:



ALLIANCE GLASS DOORS INC.
 Surrey, BC, Canada, V3W 1A2
 T: 604.501.2588
 F: 604.501.1608

SECTION B

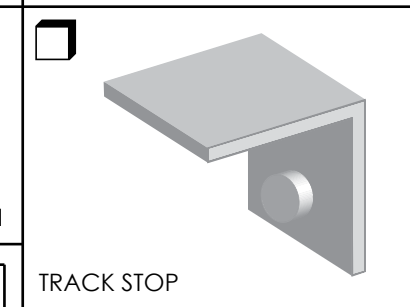
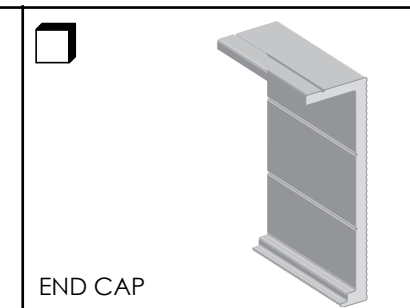
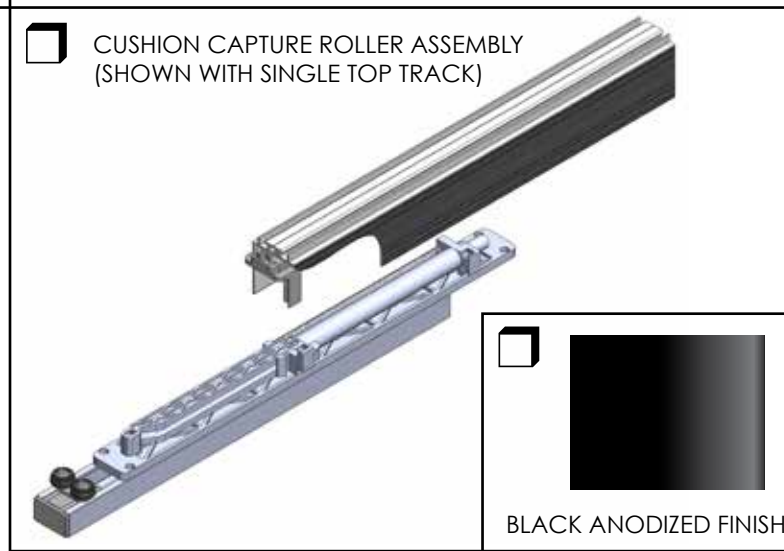


SAVONA Sx-SCS
 Single Track - Ceiling Mount - Surface Floor Track

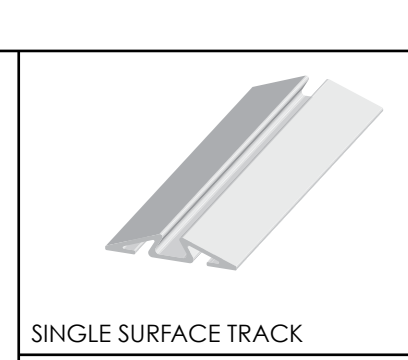
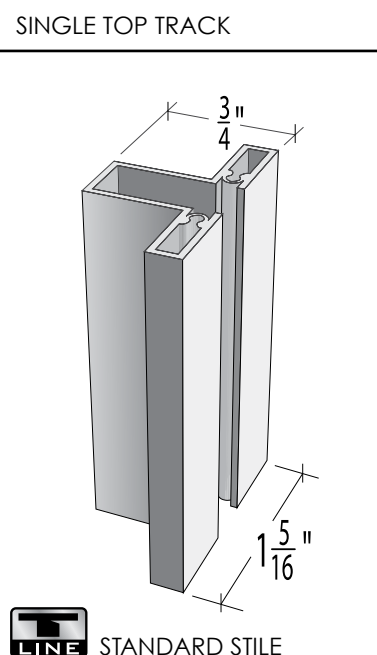
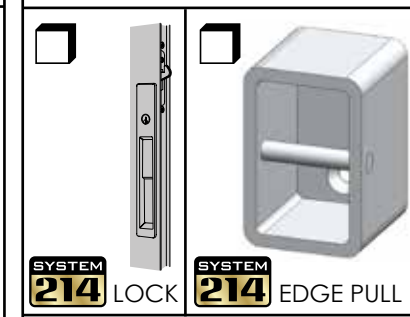
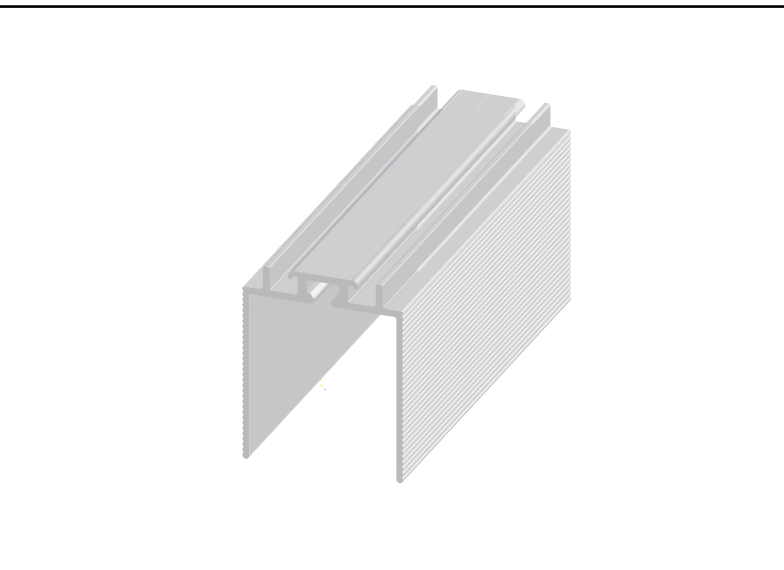
SHEET:

JOB #:

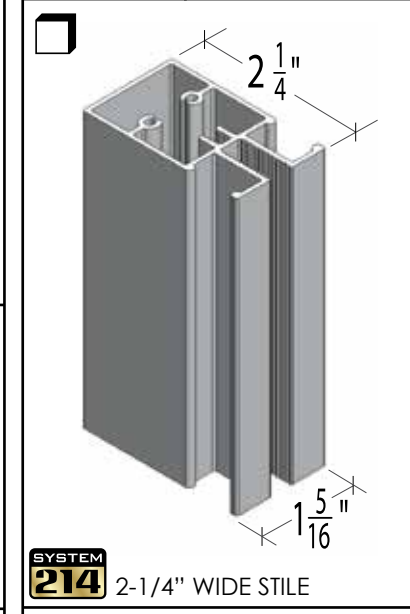
OPTIONAL PARTS



SYSTEM PARTS



- STANDARD INSERTS**
- DIFFUSED WHITE LAMI GLASS
 - CLEAR LAMINATED GLASS
 - MIRROR
 - PREFINISHED HARDBOARD
 - MIRROR / HARDBOARD



- SPECIAL INSERTS**
- POLAR WHITE GLASS
 - BLACK GLASS
 - CABANA LITE LAMI GLASS
 - WHITE SAND LAMI GLASS
 - CUSTOMER SUPPLIED INSERT
 - DIVISION BARS

DRAWN BY: JL

DATE: 07/22/17

CHECKED BY: DL

PLEASE NOTE: "x" in the product code refers to the stile options - Standard LINE = "T"; SYSTEM 214 = "214"