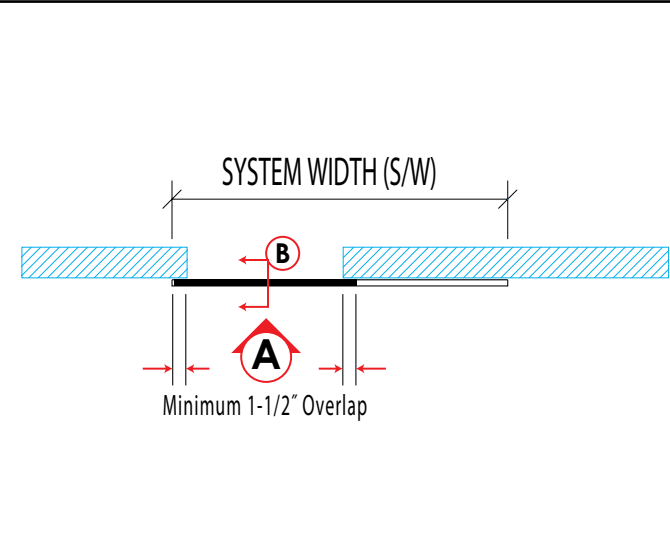
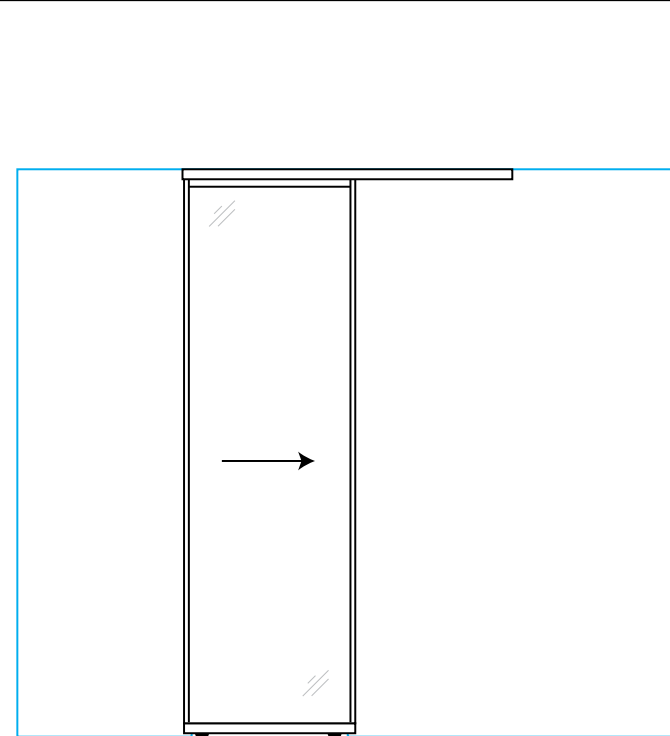


PLAN 1



ELEVATION A



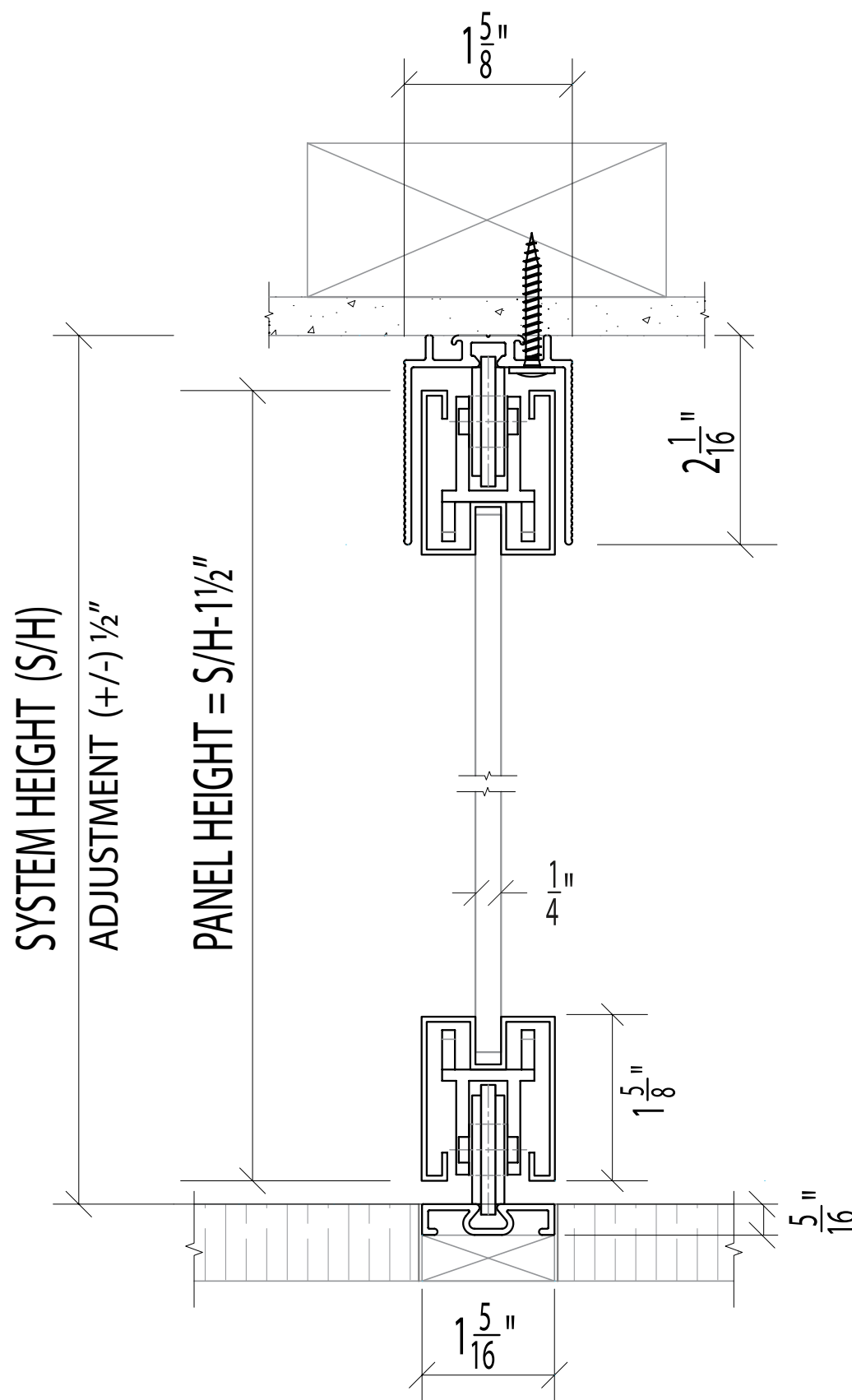
PROJECT:

ARCHITECT:

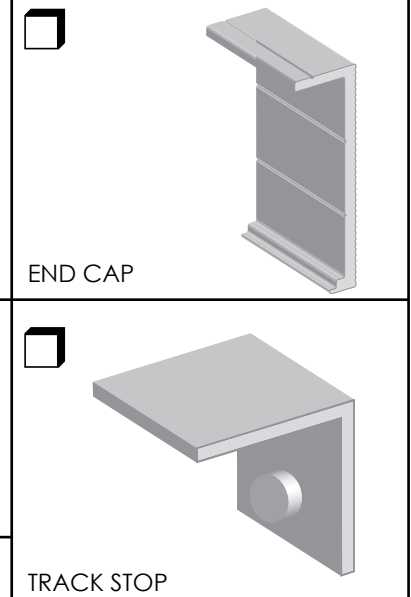
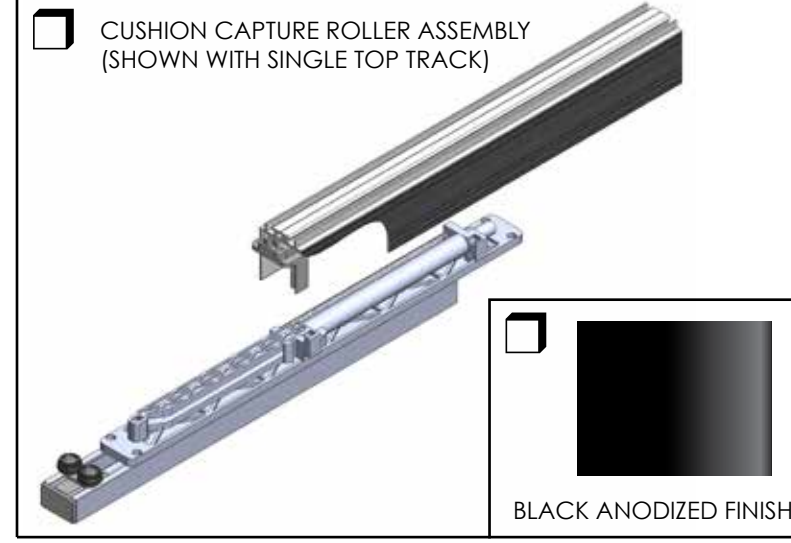


ALLIANCE GLASS DOORS INC.  
 Surrey, BC, Canada, V3W 1A2  
 T: 604.501.2588  
 F: 604.501.1608

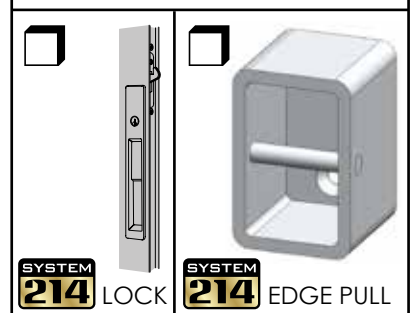
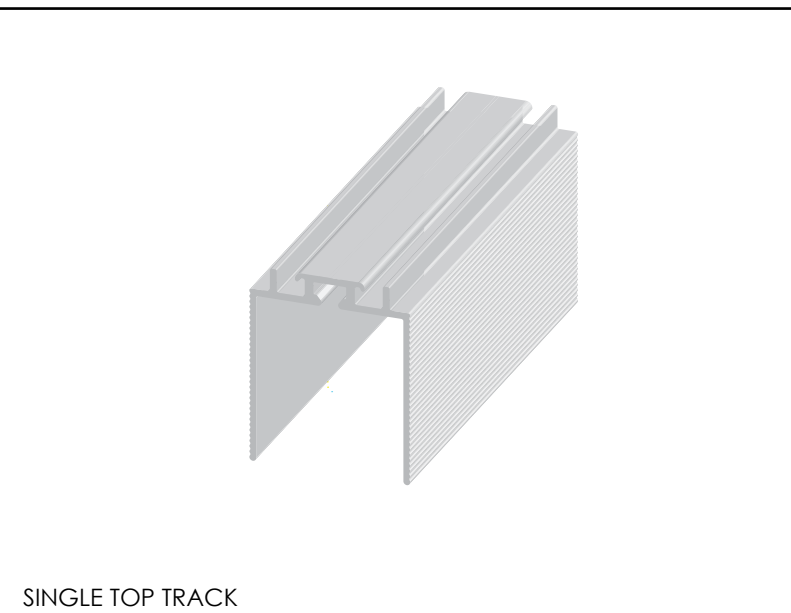
SECTION B



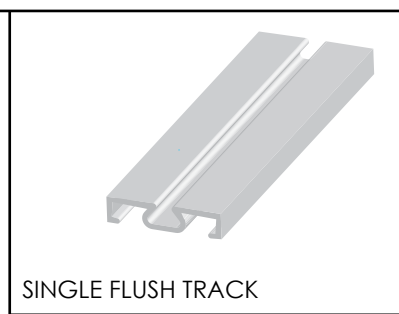
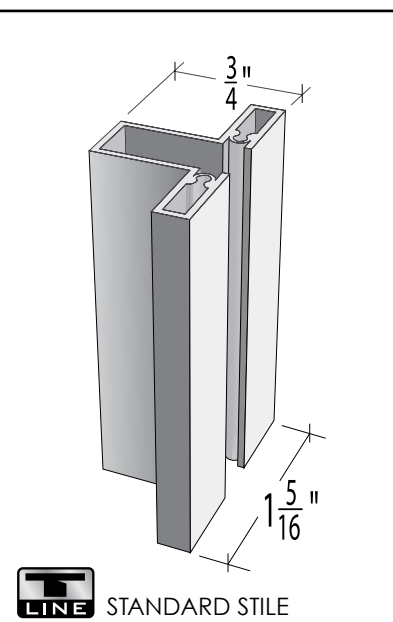
OPTIONAL PARTS



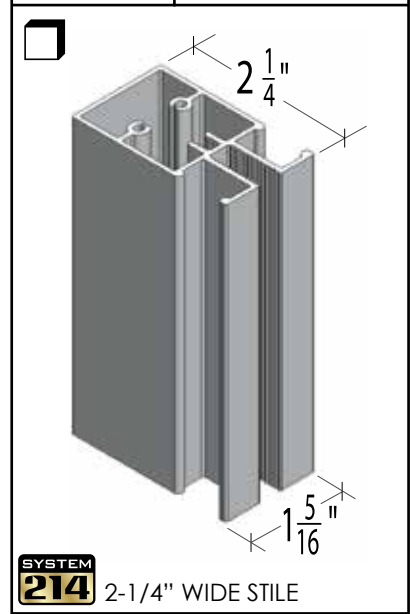
SYSTEM PARTS



SINGLE TOP TRACK



- STANDARD INSERTS**
- DIFFUSED WHITE LAMI GLASS
  - CLEAR LAMINATED GLASS
  - MIRROR
  - PREFINISHED HARDBOARD
  - MIRROR / HARDBOARD



- SPECIAL INSERTS**
- POLAR WHITE GLASS
  - BLACK GLASS
  - CABANA LITE LAMI GLASS
  - WHITE SAND LAMI GLASS
  - CUSTOMER SUPPLIED INSERT
  - DIVISION BARS

SHEET:

JOB #:

DRAWN BY: JL

DATE: 07/22/17

CHECKED BY: DL

PLEASE NOTE: "x" in the product code refers to the stile options - Standard LINE = "T"; SYSTEM 214 = "214"

