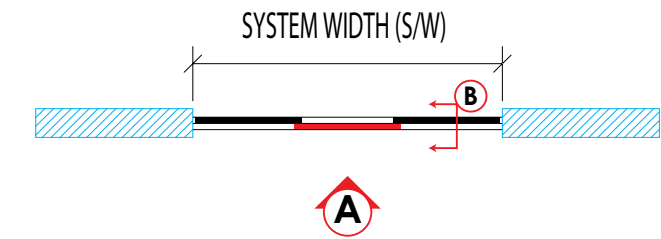


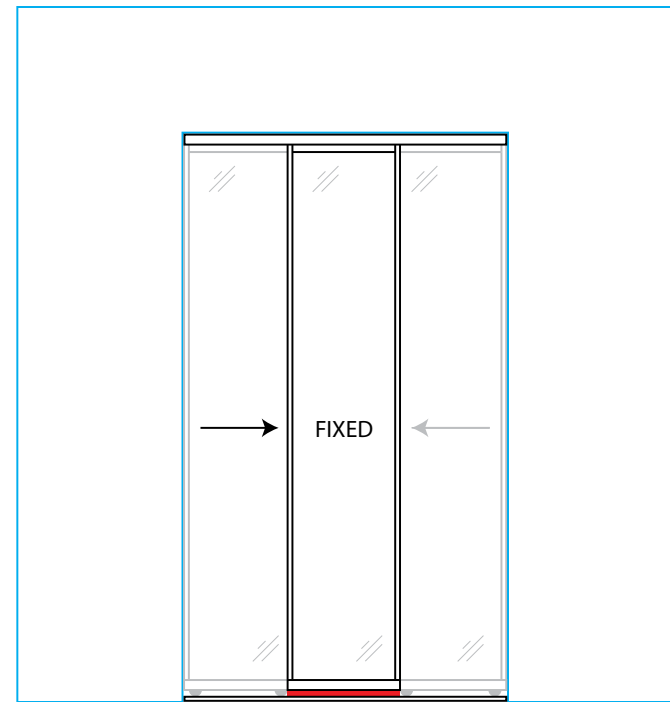
PLAN 6F

SECTION B

OPTIONAL PARTS



ELEVATION A

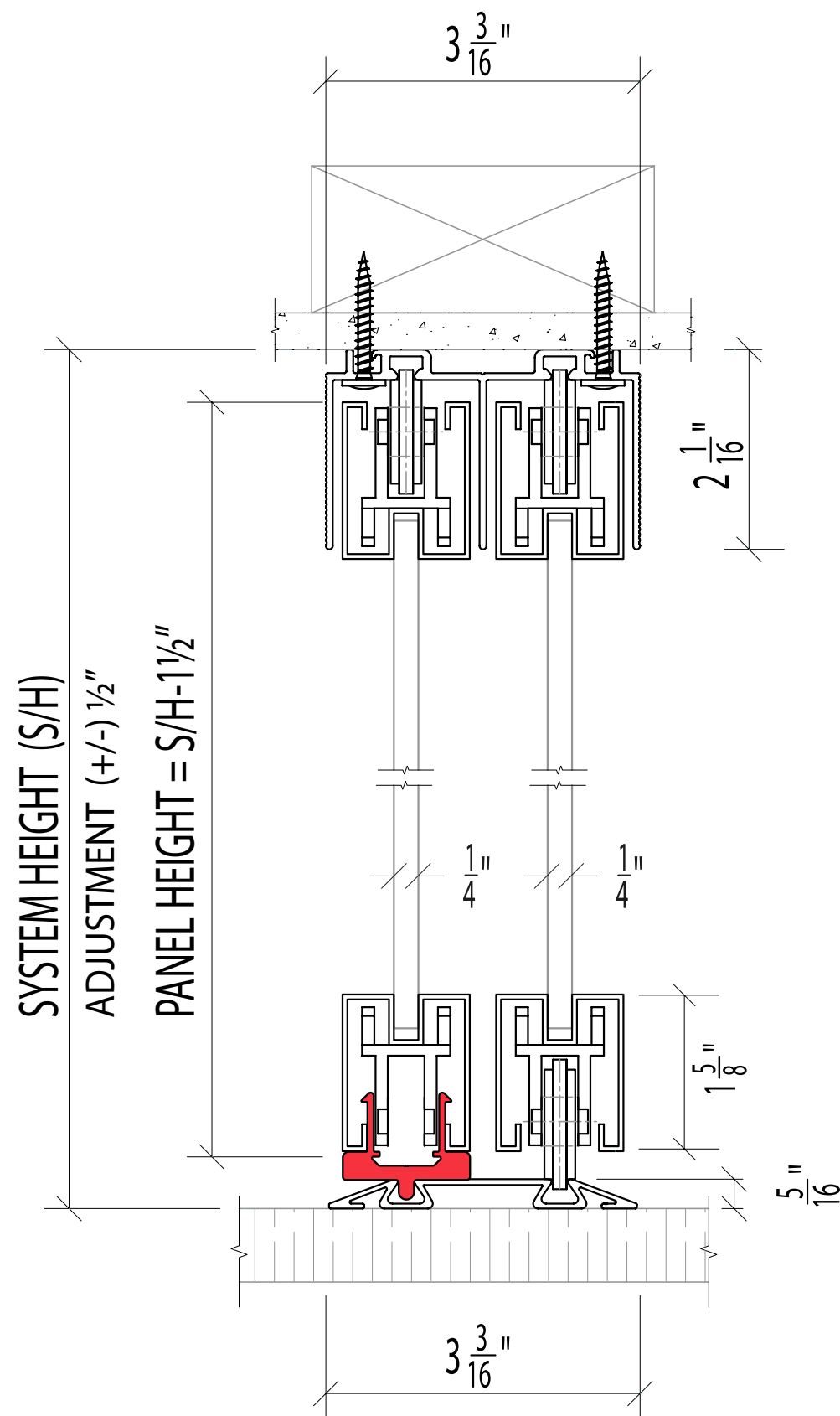


PROJECT:

ARCHITECT:



**ALLIANCE GLASS DOORS INC.**  
Surrey, BC, Canada, V3W 1A2  
T: 604.501.2588  
F: 604.501.1608

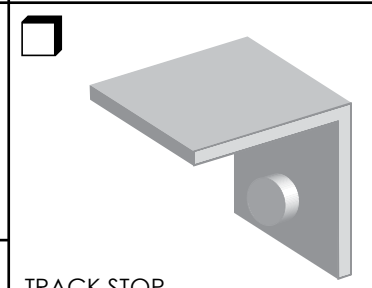
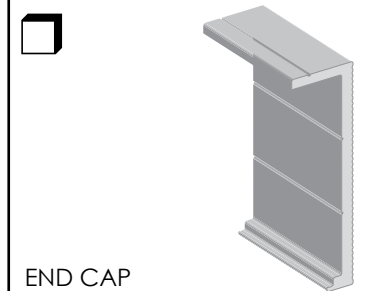
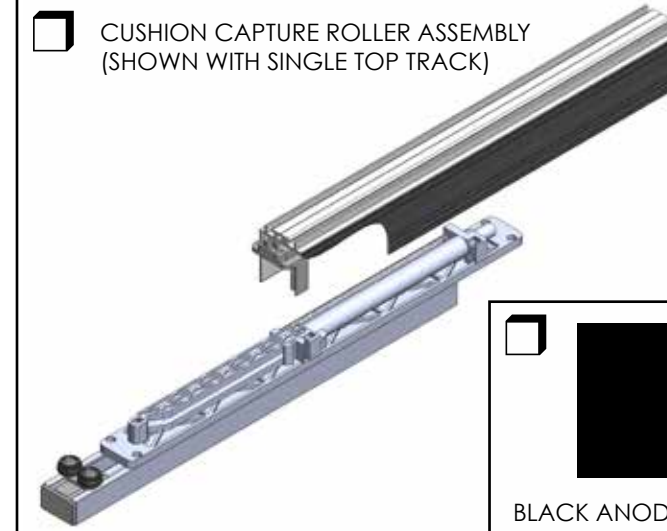


SYSTEM HEIGHT (S/H)  
ADJUSTMENT (+/-)  $\frac{1}{2}$ "  
PANEL HEIGHT =  $S/H - 1 \frac{1}{2}$ "

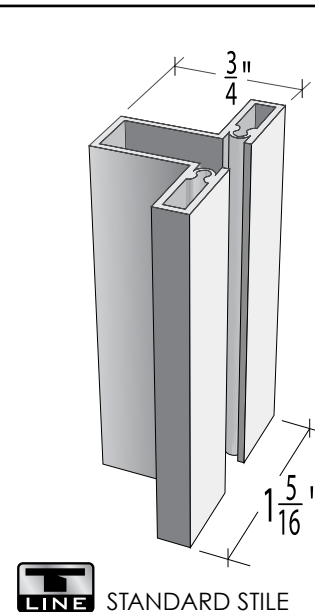
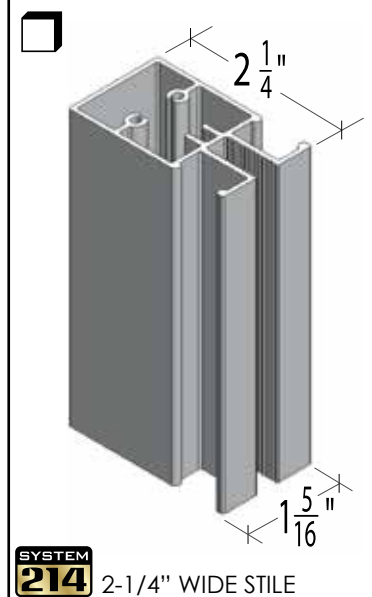
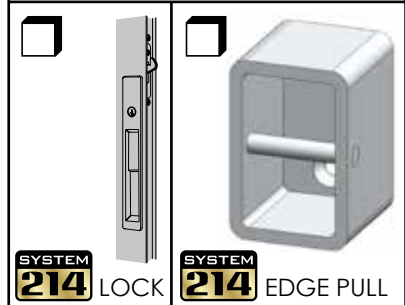
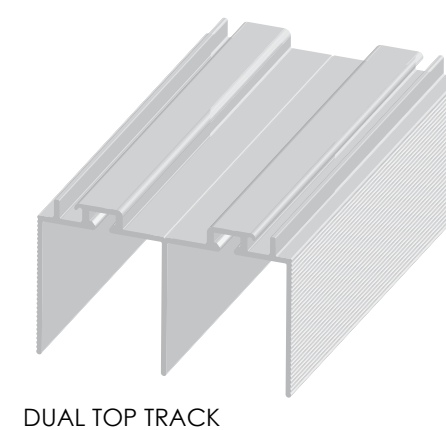
SHEET:

JOB #:

**SAVONA Sx-DCS**  
Double Track - Ceiling Mount - Surface Floor Track

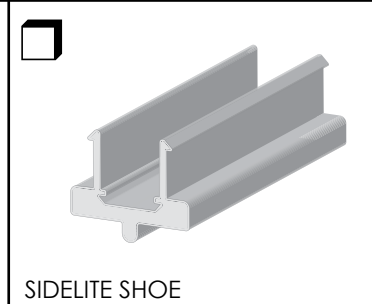


SYSTEM PARTS



- STANDARD INSERTS**
- DIFFUSED WHITE LAMI GLASS
  - CLEAR LAMINATED GLASS
  - MIRROR
  - PREFINISHED HARDBOARD
  - MIRROR / HARDBOARD

- SPECIAL INSERTS**
- POLAR WHITE GLASS
  - BLACK GLASS
  - CABANA LITE LAMI GLASS
  - WHITE SAND LAMI GLASS
  - CUSTOMER SUPPLIED INSERT
  - DIVISION BARS



DRAWN BY: JL

DATE: 07/22/17

CHECKED BY: DL