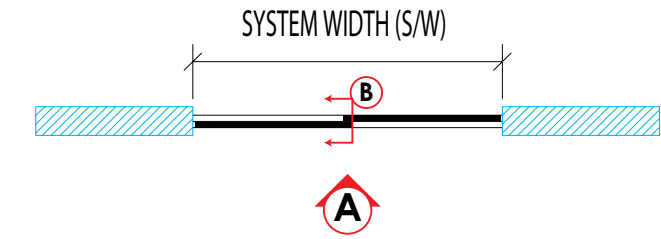


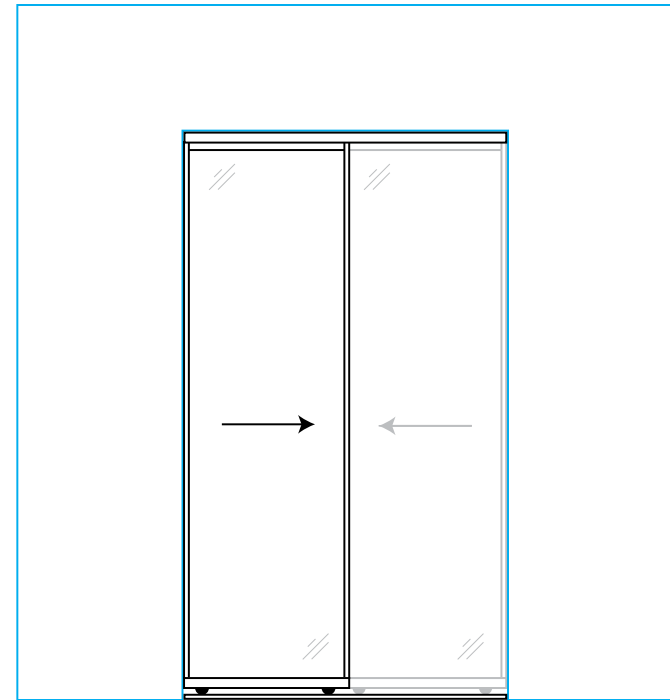
PLAN 5

SECTION B

OPTIONAL PARTS



ELEVATION A

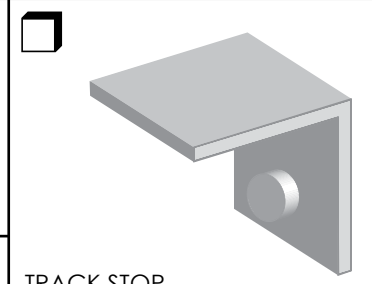
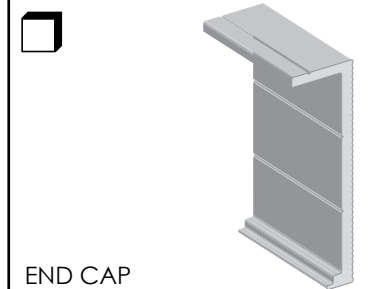
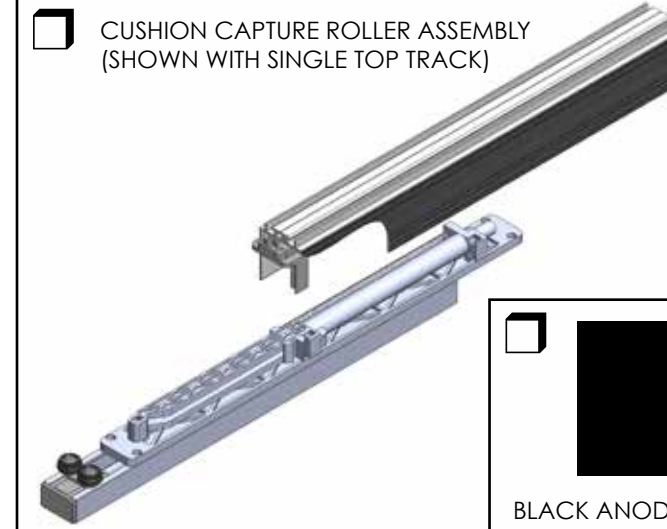
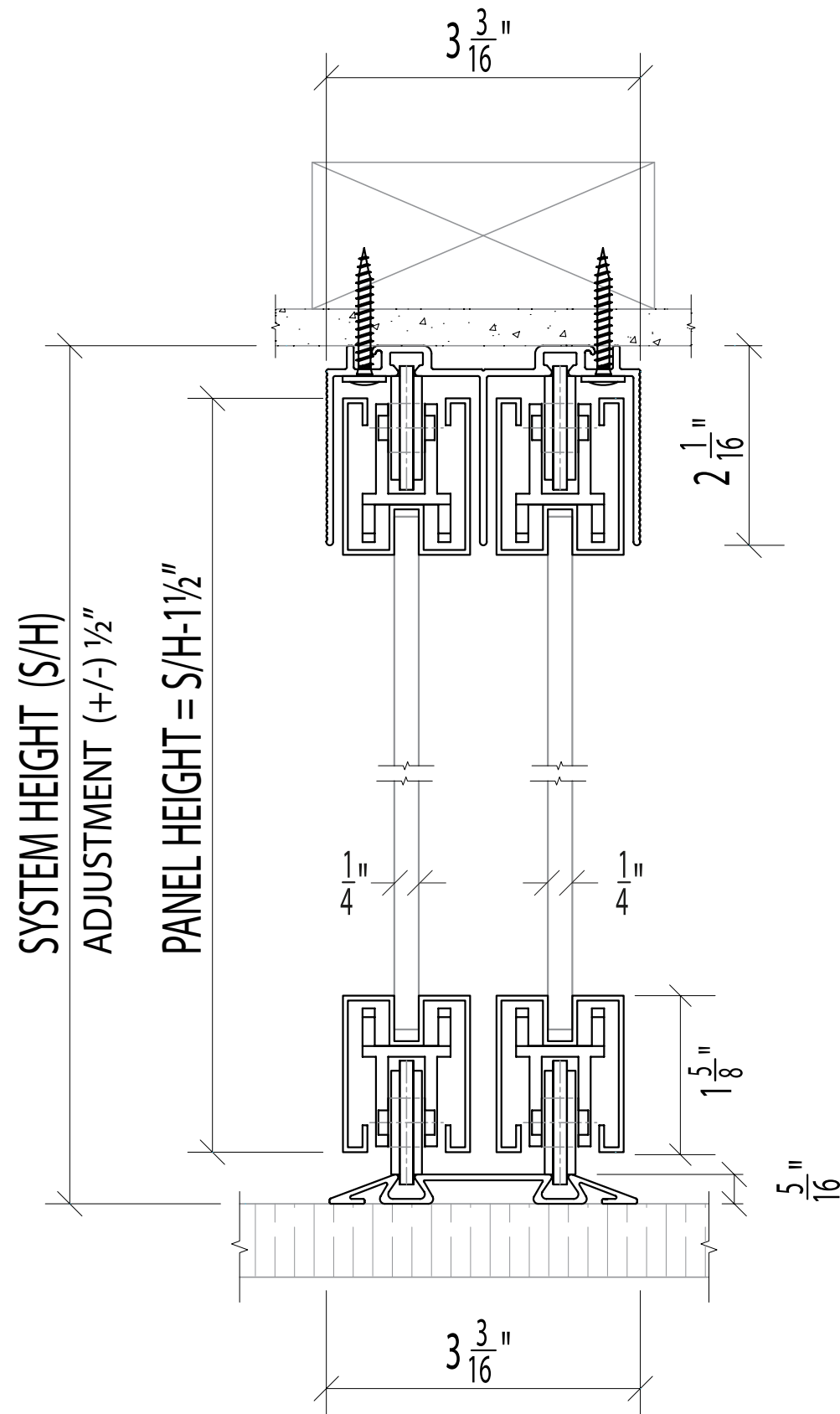


PROJECT:

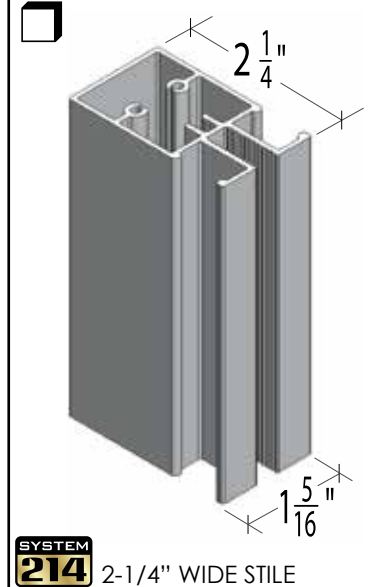
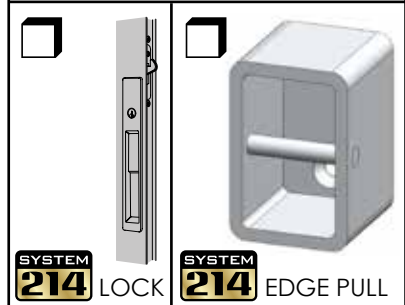
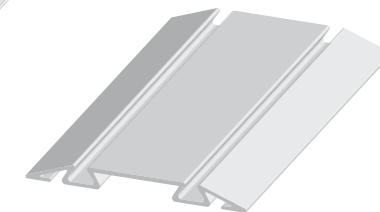
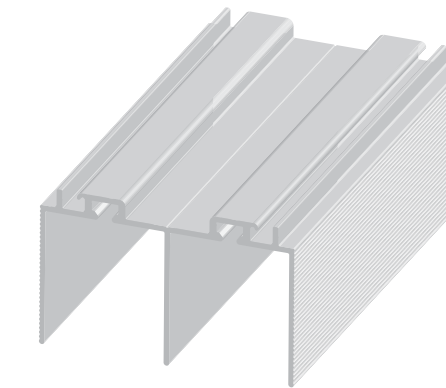
ARCHITECT:



ALLIANCE GLASS DOORS INC.
Surrey, BC, Canada, V3W 1A2
T: 604.501.2588
F: 604.501.1608



SYSTEM PARTS



DUAL TOP TRACK

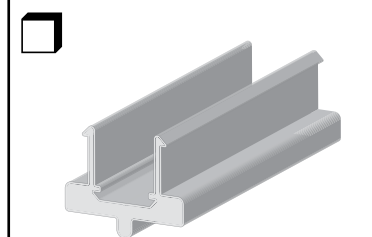
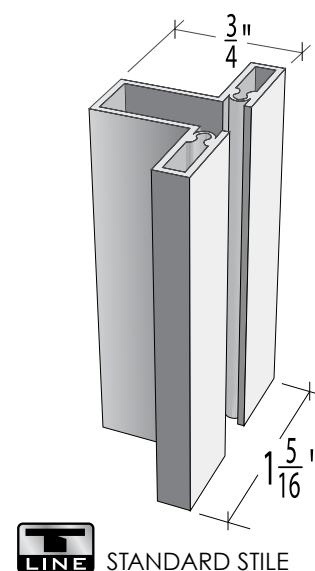
DUAL SURFACE TRACK

STANDARD INSERTS

- DIFFUSED WHITE LAMI GLASS
- CLEAR LAMINATED GLASS
- MIRROR
- PREFINISHED HARDBOARD
- MIRROR / HARDBOARD

SPECIAL INSERTS

- POLAR WHITE GLASS
- BLACK GLASS
- CABANA LITE LAMI GLASS
- WHITE SAND LAMI GLASS
- CUSTOMER SUPPLIED INSERT
- DIVISION BARS



SHEET:

JOB #:

DRAWN BY: JL

DATE: 07/22/17

CHECKED BY: DL

PLEASE NOTE: "x" in the product code refers to the stile options - Standard LINE = "T"; SYSTEM 214 = "214"