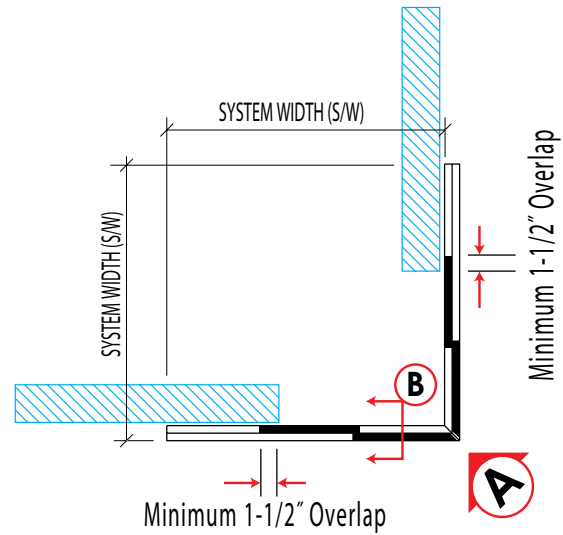
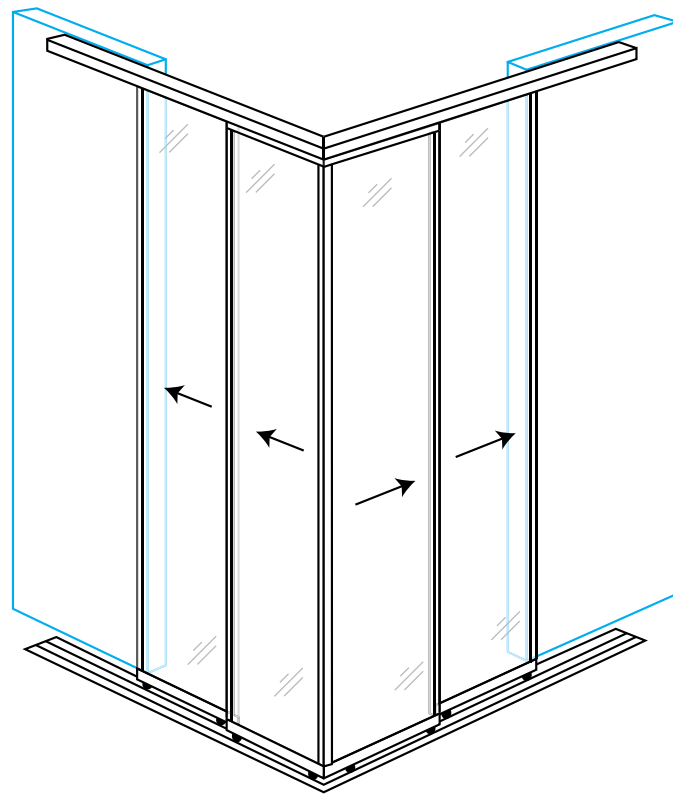


PLAN 8



ELEVATION A



SEE PAGE 2 FOR CORNER DETAILS

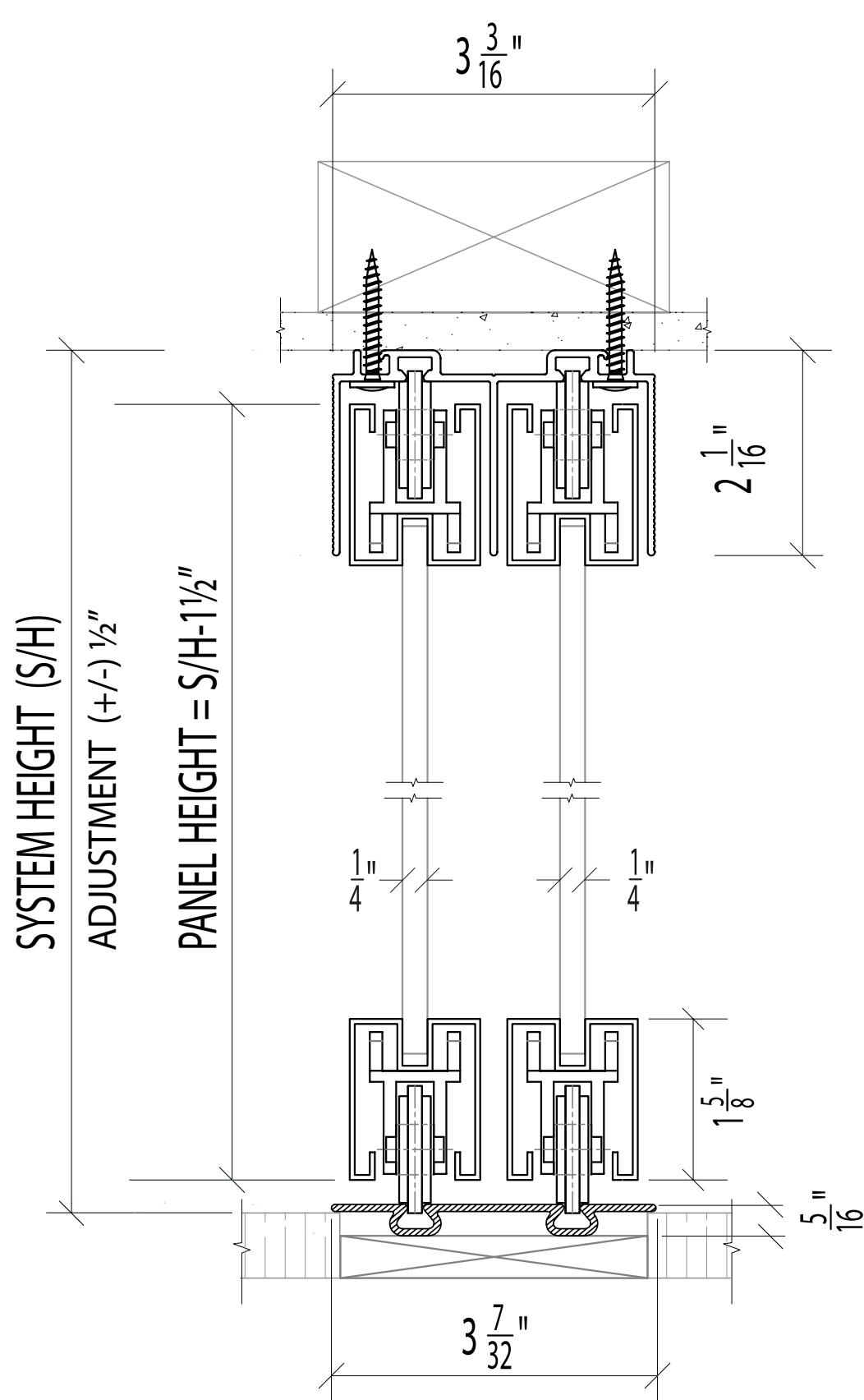
PROJECT:

ARCHITECT:



**ALLIANCE GLASS DOORS INC.**  
 Surrey, BC, Canada, V3W 1A2  
 T: 604.501.2588  
 F: 604.501.1608

SECTION B

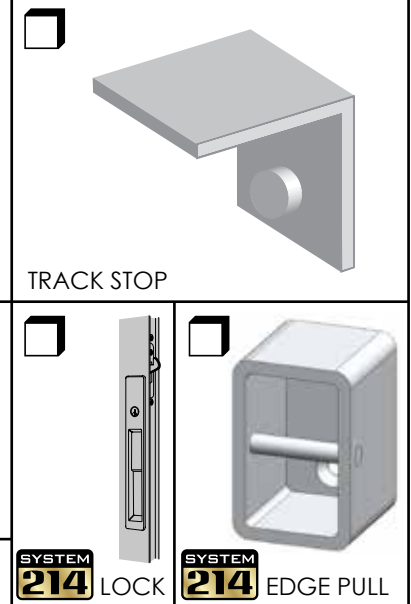


**SAVONA Sx-DCF with Sx-DCF at 90°**  
 Double Track - Ceiling Mount - Flush Floor Track to Double Track - Ceiling Mount - Flush Floor Track

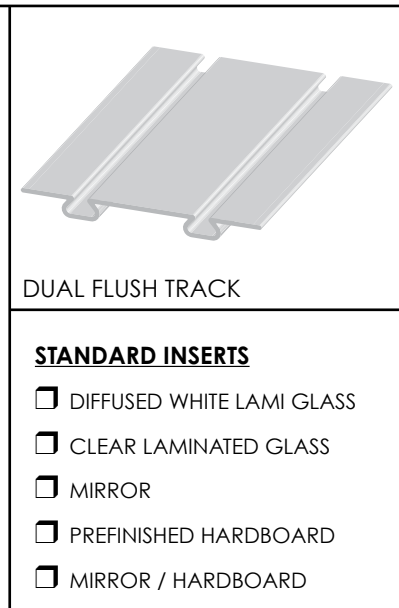
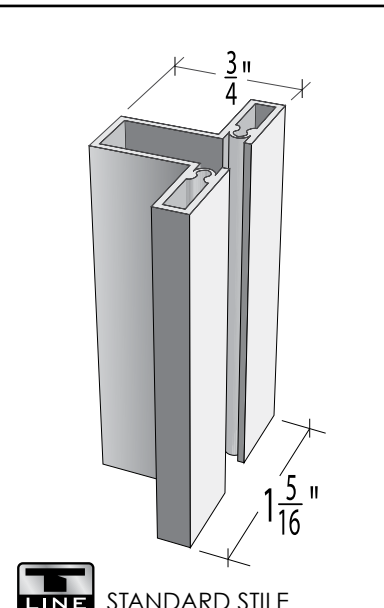
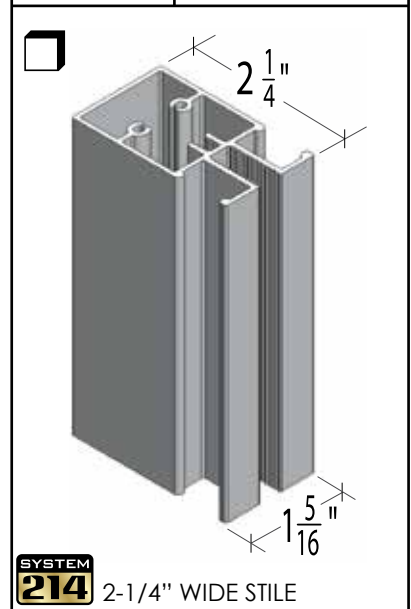
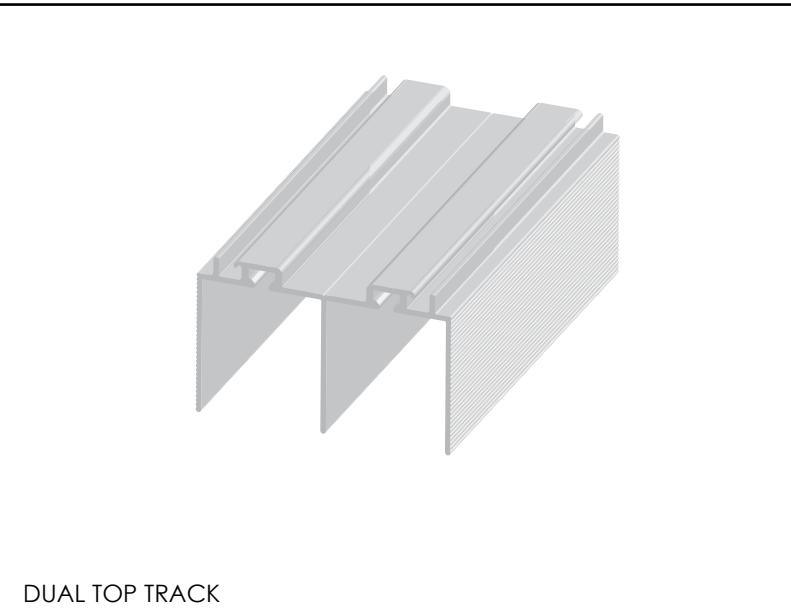
SHEET:

JOB #:

OPTIONAL PARTS



SYSTEM PARTS



**STANDARD INSERTS**

- DIFFUSED WHITE LAMI GLASS
- CLEAR LAMINATED GLASS
- MIRROR
- PREFINISHED HARDBOARD
- MIRROR / HARDBOARD

**SPECIAL INSERTS**

- POLAR WHITE GLASS
- BLACK GLASS
- CABANA LITE LAMI GLASS
- WHITE SAND LAMI GLASS
- CUSTOMER SUPPLIED INSERT
- DIVISION BARS

DRAWN BY: JL

DATE: 07/22/17

CHECKED BY: DL