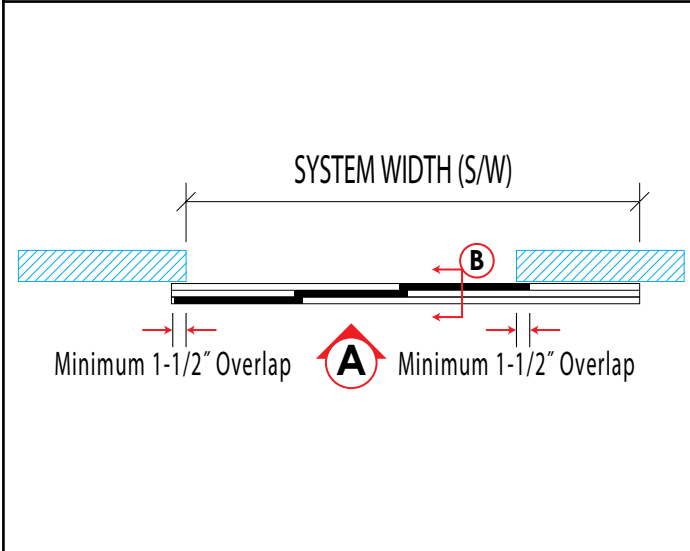
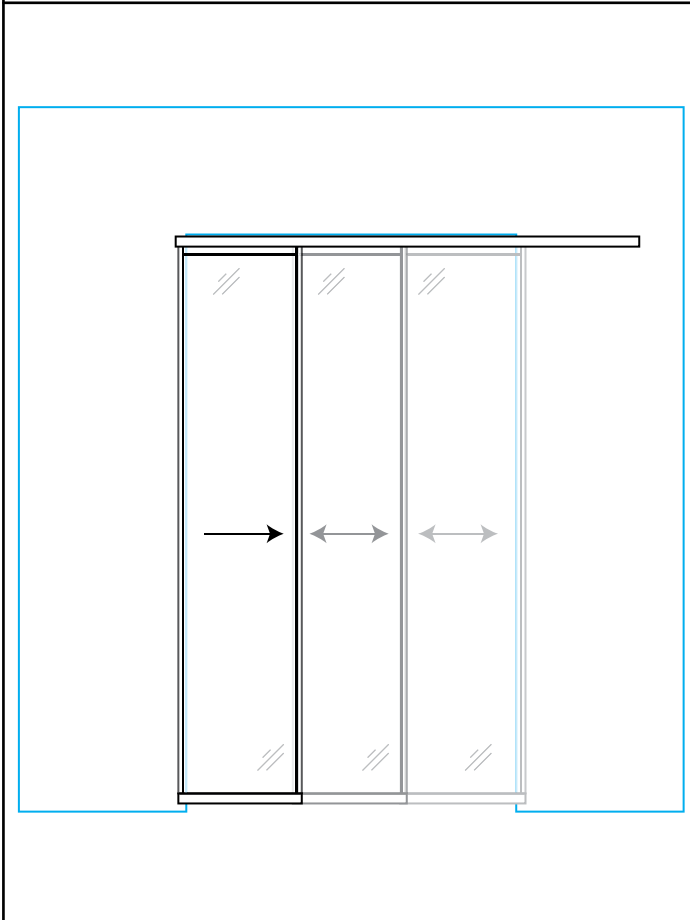


PLAN 10



ELEVATION A

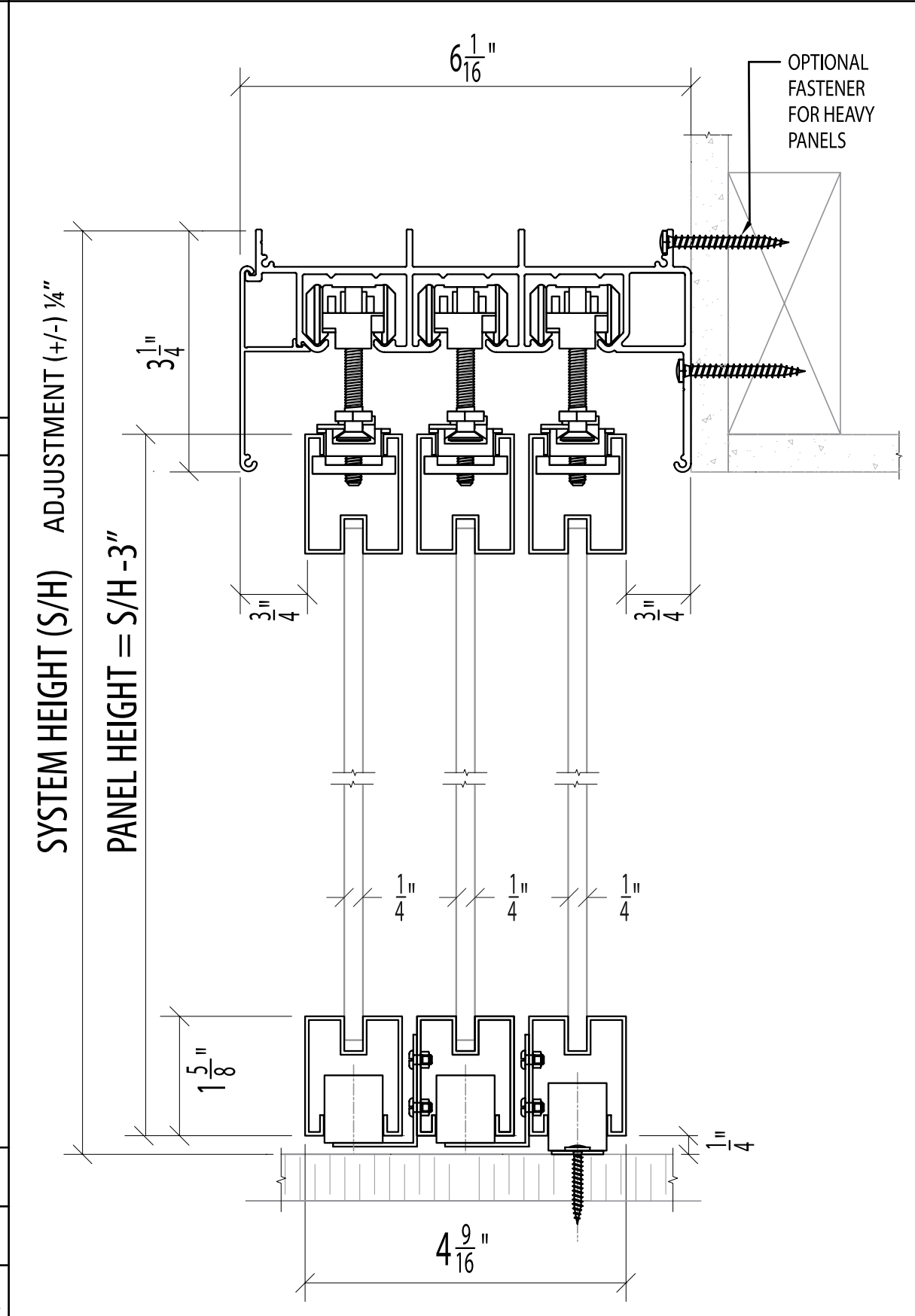


PROJECT:

ARCHITECT:

ALLIANCE GLASS DOORS INC.
 Surrey, BC, Canada, V3W 1A2
 T: 604.501.2588
 F: 604.501.1608
 rivieraglassdividers.com

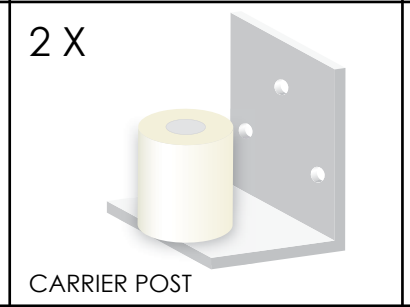
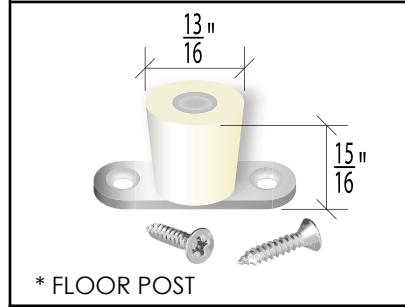
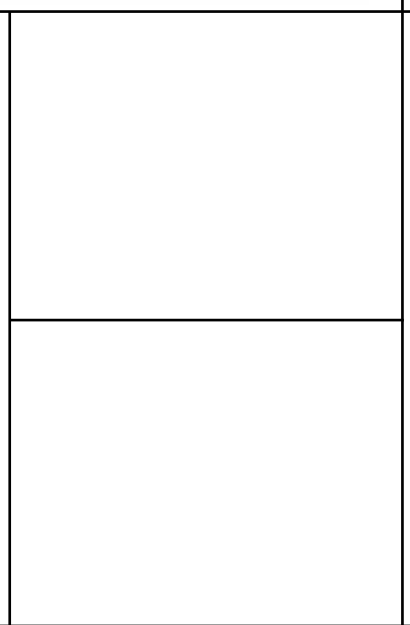
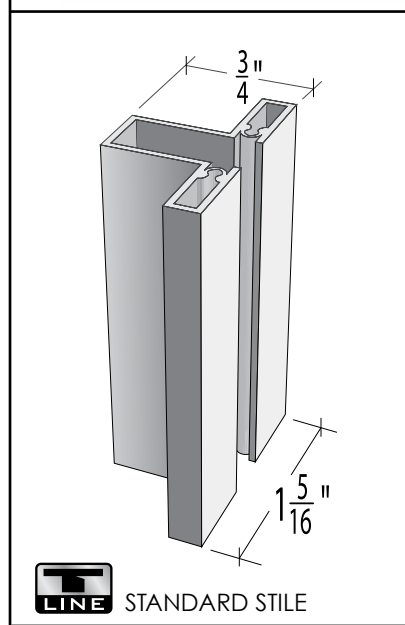
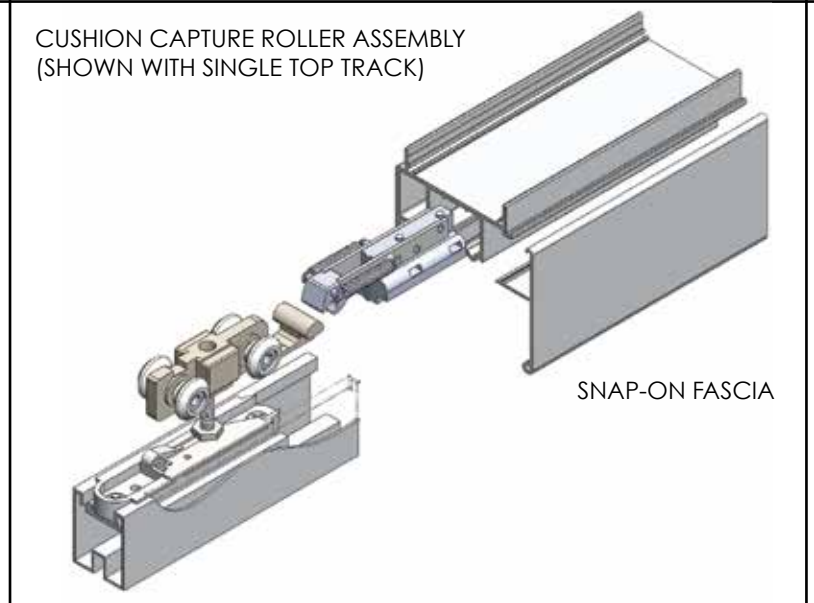
SECTION B



MONACO Mx-TWP*
 Triple Track - Wall Mount - Floor Post with Carrier Post

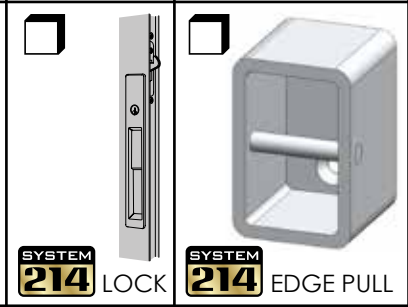
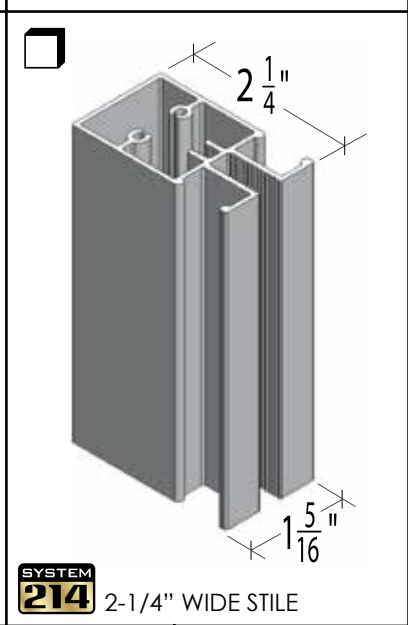
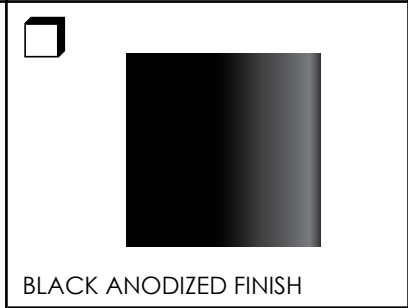
SHEET: _____ **JOB #:** _____

SYSTEM PARTS



- STANDARD INSERTS**
- DIFFUSED WHITE LAMI GLASS
 - CLEAR LAMINATED GLASS
 - MIRROR
 - PREFINISHED HARDBOARD
 - MIRROR / HARDBOARD

OPTIONAL PARTS



- SPECIAL INSERTS**
- POLAR WHITE GLASS
 - BLACK GLASS
 - CABANA LITE LAMI GLASS
 - WHITE SAND LAMI GLASS
 - CUSTOMER SUPPLIED INSERT
 - DIVISION BARS

CHECKED BY: DL

PLEASE NOTE: "x" in the product code refers to the stile options - Standard **LINE** = "T"; **SYSTEM 214** = "214"