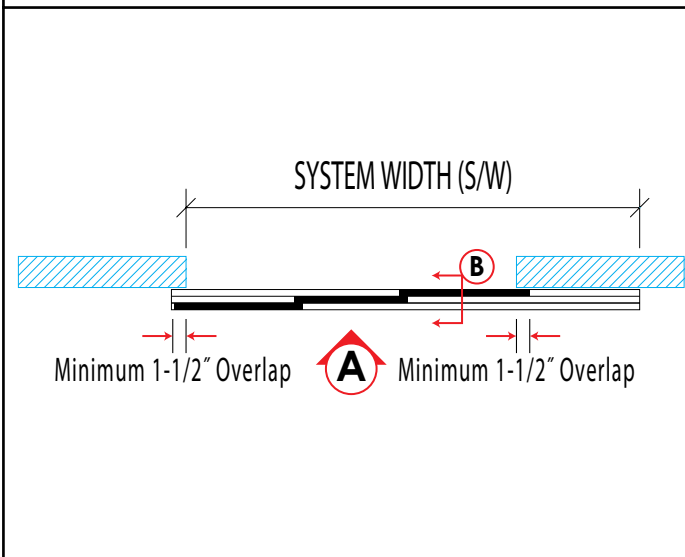
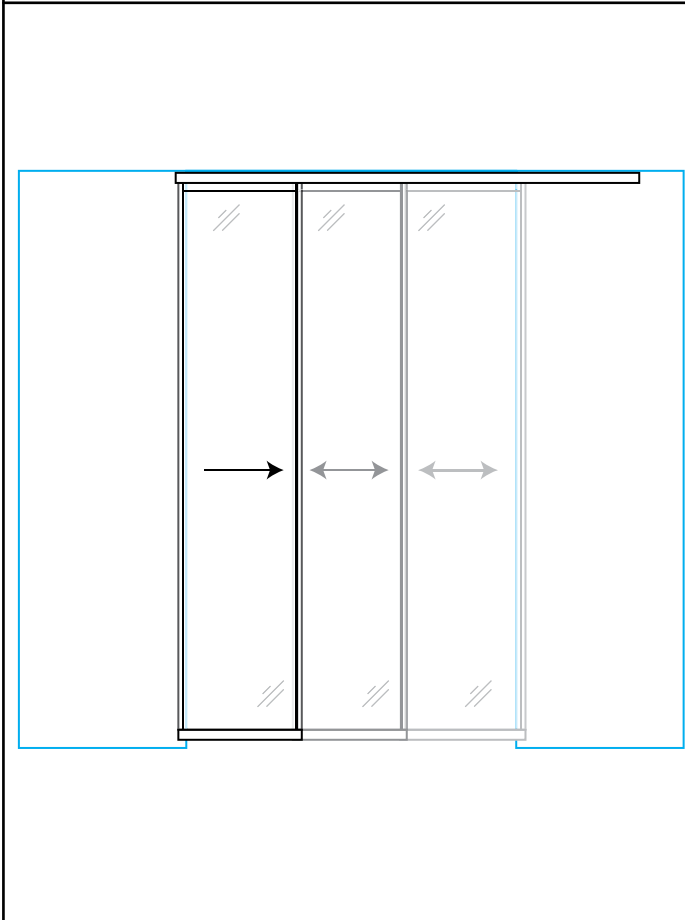


PLAN 10



ELEVATION A



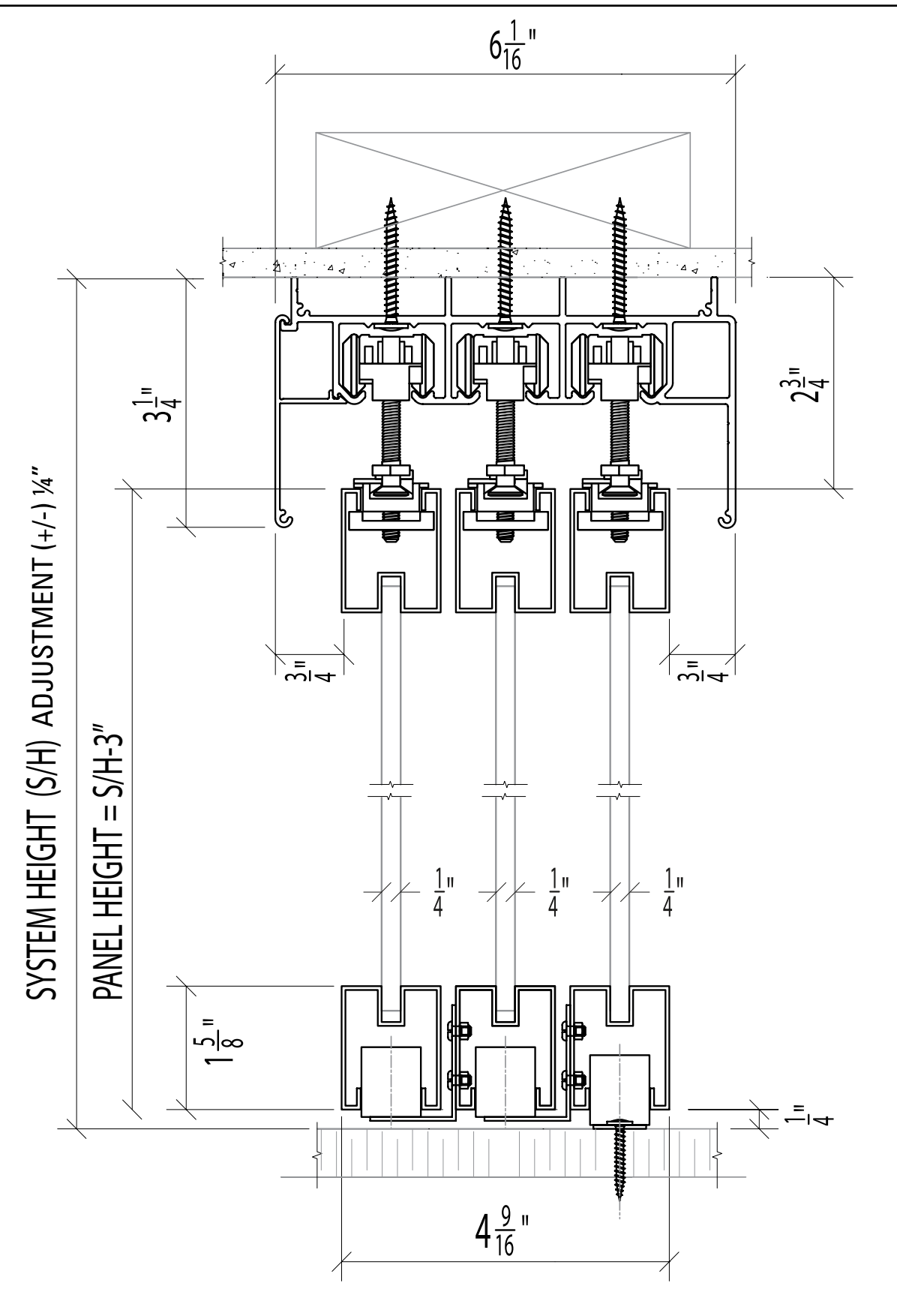
PROJECT:

ARCHITECT:

Riviera
rivieraglassdividers.com

ALLIANCE GLASS DOORS INC.
Surrey, BC, Canada, V3W 1A2
T: 604.501.2588
F: 604.501.1608

SECTION B

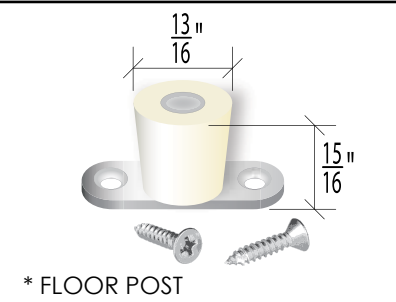
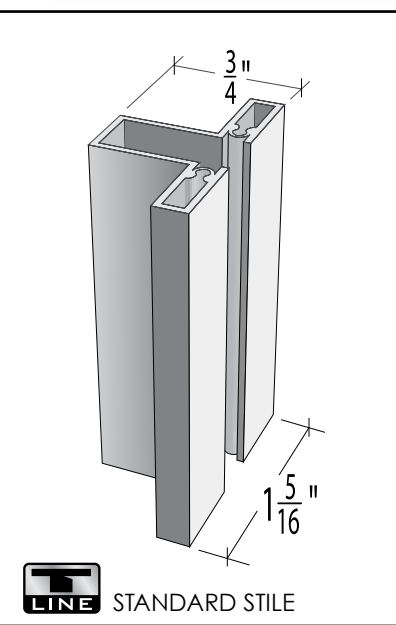
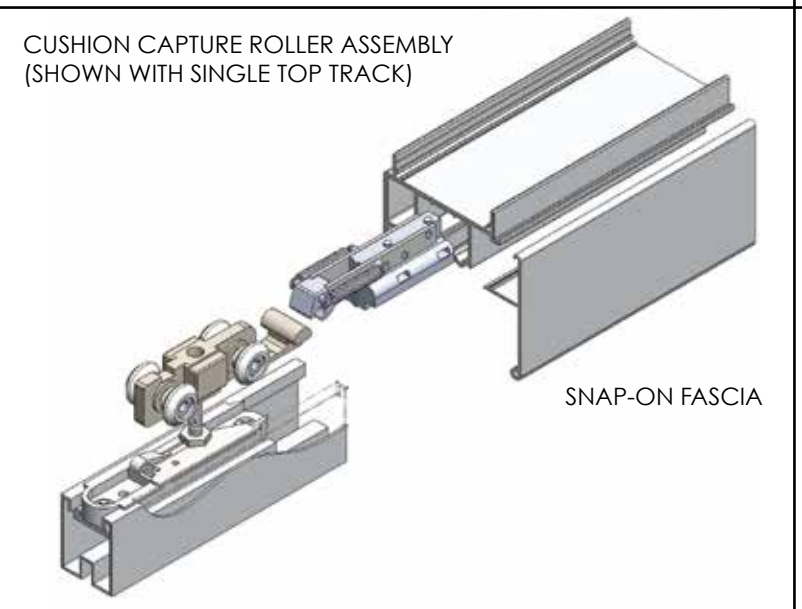


MONACO Mx-TCP*
Triple Track - Ceiling Mount - Floor Post with Carrier Post

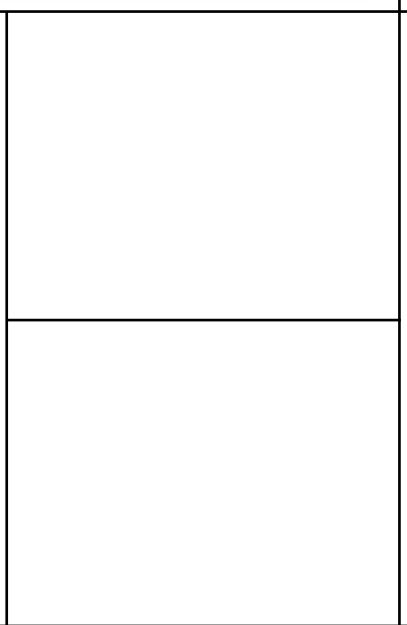
SHEET:

JOB #:

SYSTEM PARTS

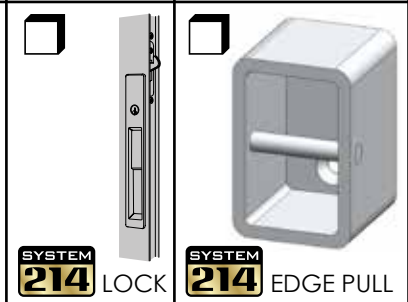
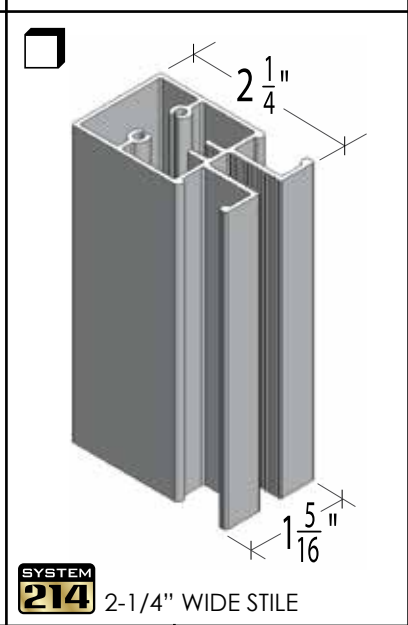
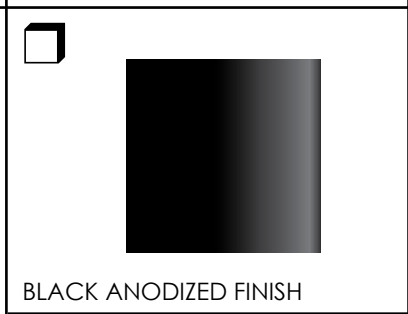


DRAWN BY: JL



- STANDARD INSERTS**
- DIFFUSED WHITE LAMI GLASS
 - CLEAR LAMINATED GLASS
 - MIRROR
 - PREFINISHED HARDBOARD
 - MIRROR / HARDBOARD
- DATE:** 07/22/17

OPTIONAL PARTS



- SPECIAL INSERTS**
- POLAR WHITE GLASS
 - BLACK GLASS
 - CABANA LITE LAMI GLASS
 - WHITE SAND LAMI GLASS
 - CUSTOMER SUPPLIED INSERT
 - DIVISION BARS
- CHECKED BY:** DL

PLEASE NOTE: "x" in the product code refers to the stile options - Standard LINE = "T"; SYSTEM 214 = "214"