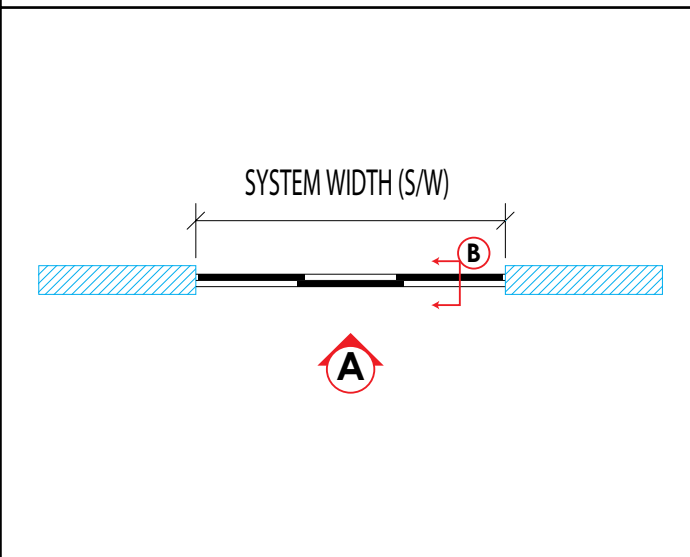


PLAN 6

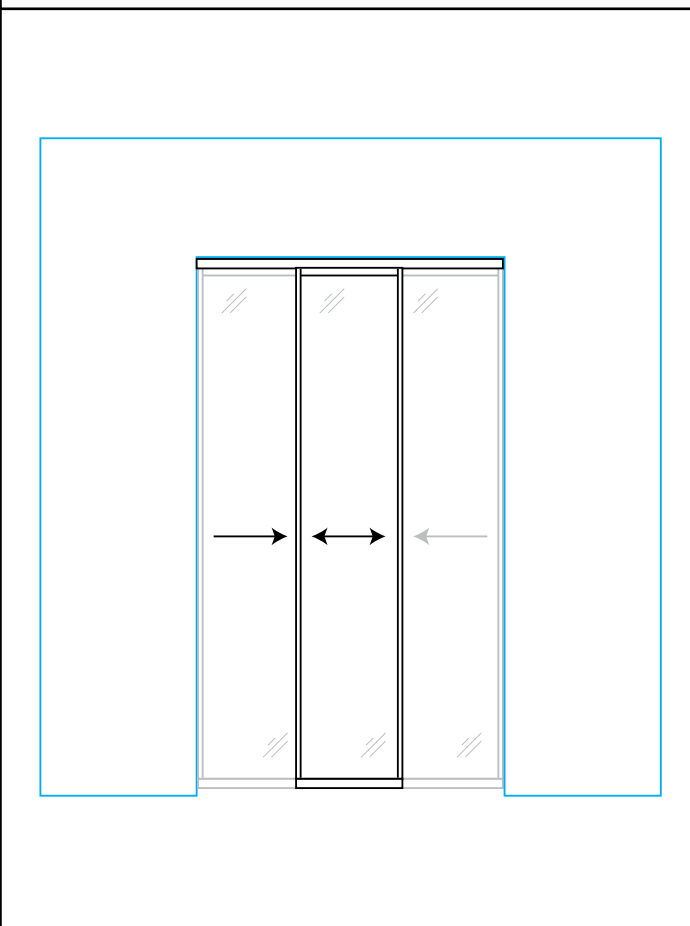
SECTION B

SYSTEM PARTS

OPTIONAL PARTS



ELEVATION A

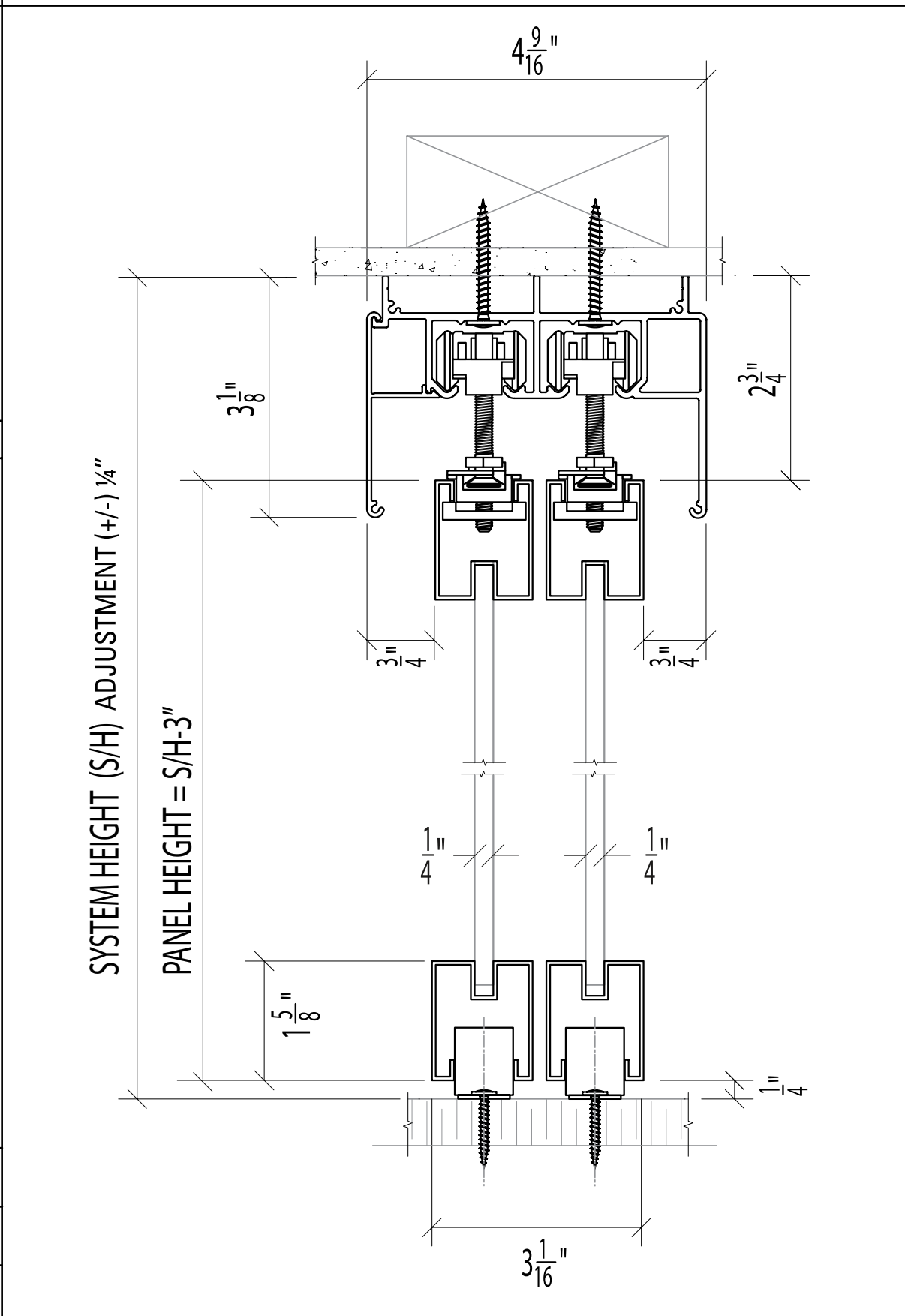


PROJECT:

ARCHITECT:

Riviera
rivieraglassdividers.com

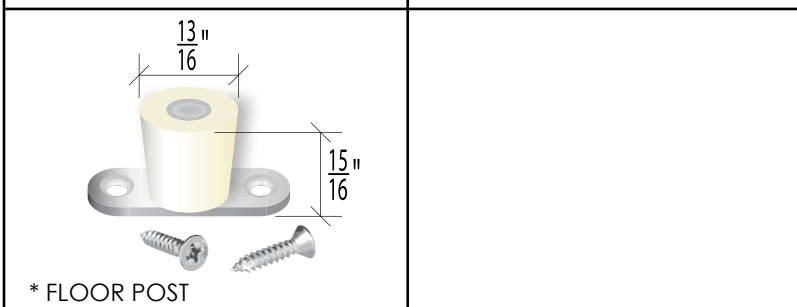
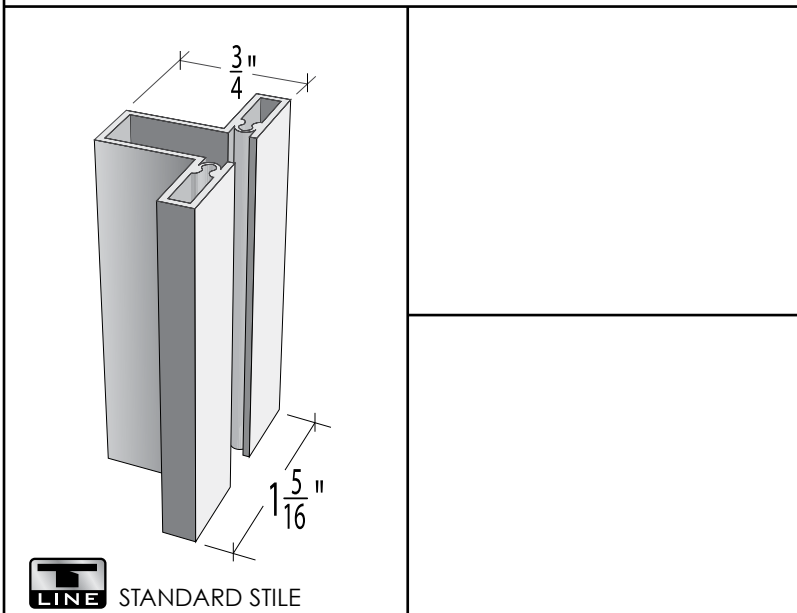
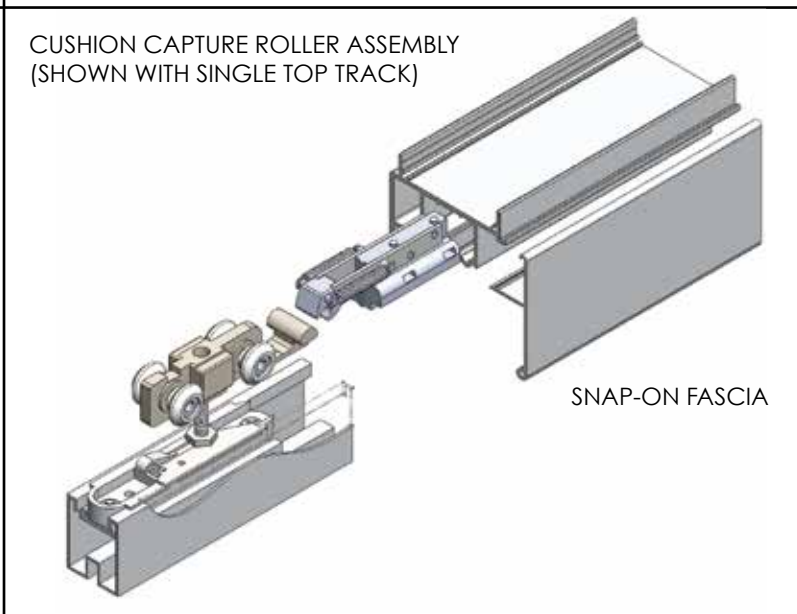
ALLIANCE GLASS DOORS INC.
Surrey, BC, Canada, V3W 1A2
T: 604.501.2588
F: 604.501.1608



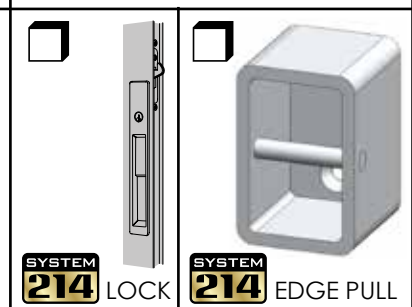
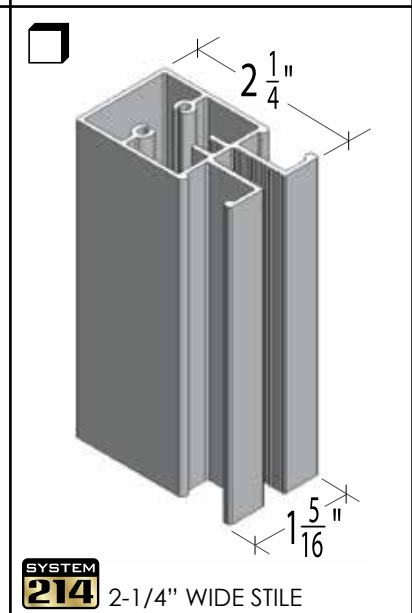
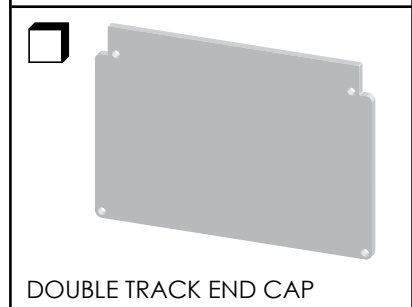
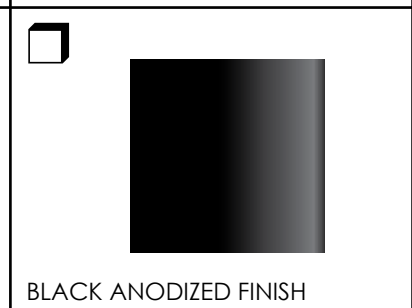
MONACO Mx-DCP*
Double Track - Ceiling Mount - Floor Post

SHEET:

JOB #:



- STANDARD INSERTS**
- DIFFUSED WHITE LAMI GLASS
 - CLEAR LAMINATED GLASS
 - MIRROR
 - PREFINISHED HARDBOARD
 - MIRROR / HARDBOARD



- SPECIAL INSERTS**
- POLAR WHITE GLASS
 - BLACK GLASS
 - CABANA LITE LAMI GLASS
 - WHITE SAND LAMI GLASS
 - CUSTOMER SUPPLIED INSERT
 - DIVISION BARS

DRAWN BY: JL

DATE: 07/22/17

CHECKED BY: DL