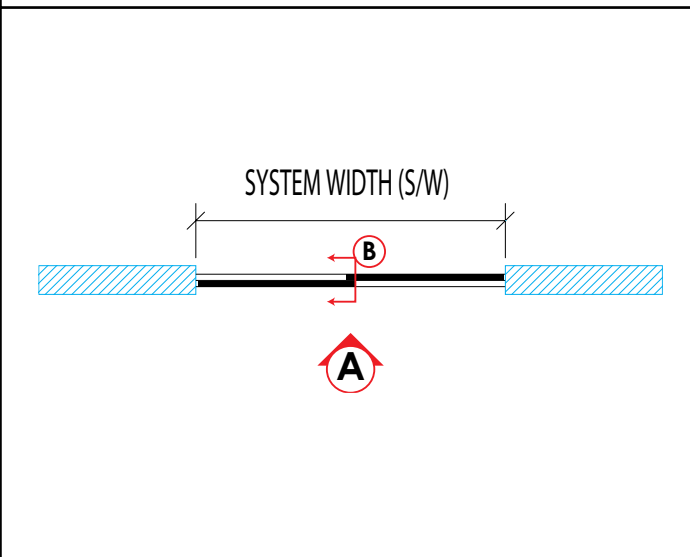
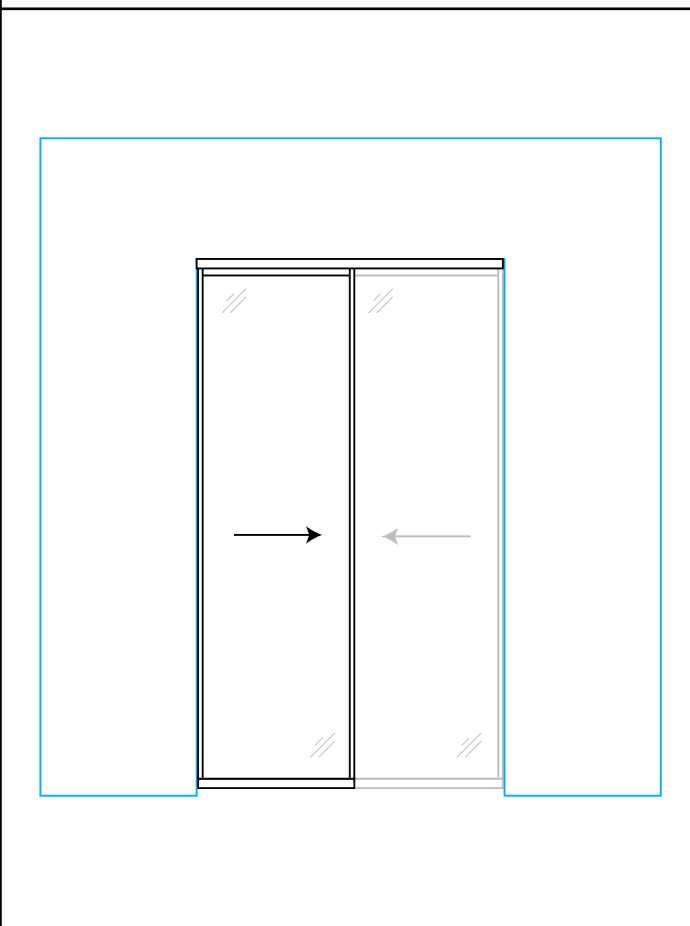


PLAN 5



ELEVATION A

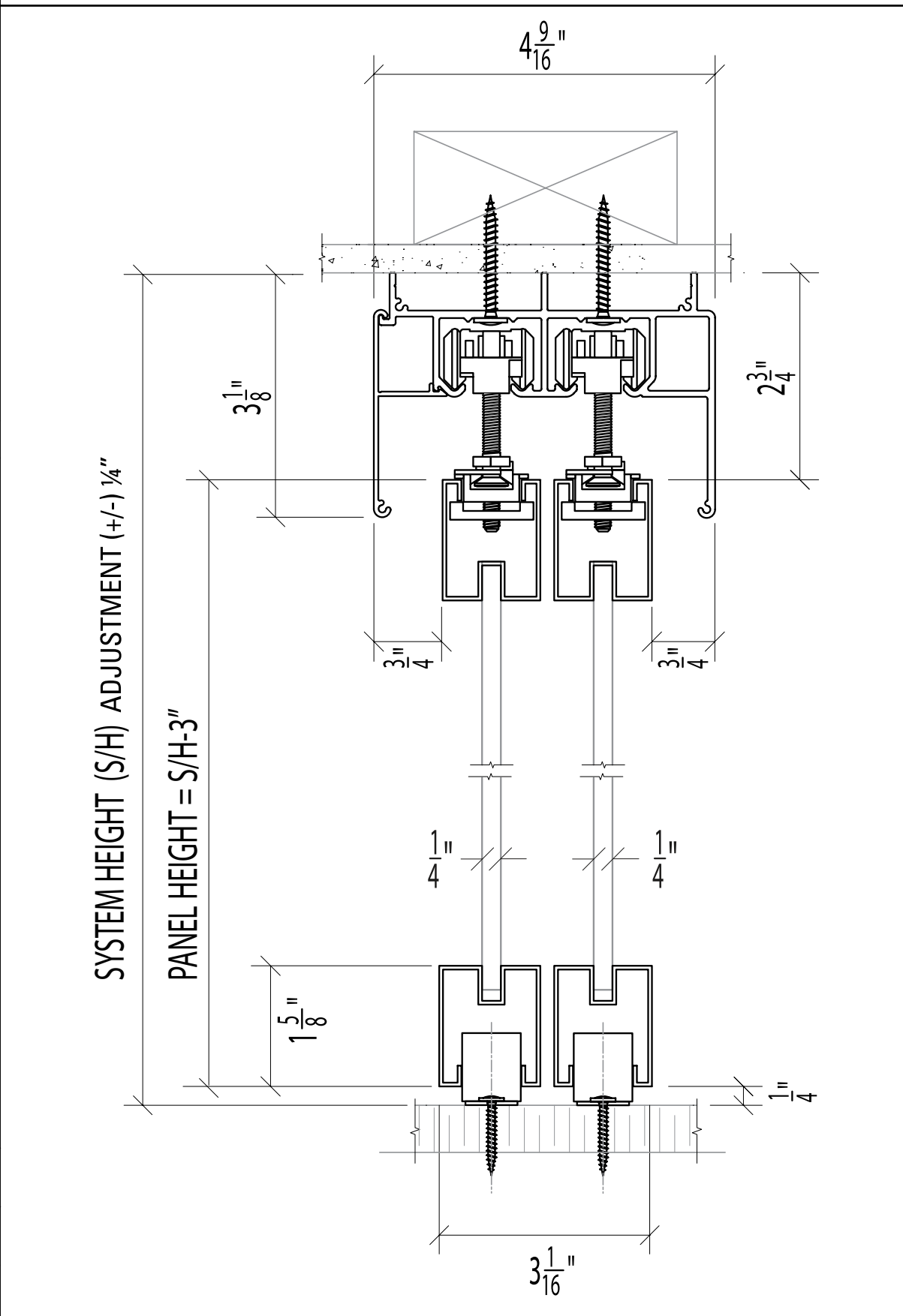


PROJECT:

ARCHITECT:

ALLIANCE GLASS DOORS INC.
 Surrey, BC, Canada, V3W 1A2
Riviera
 rivieraglassdividers.com
 T: 604.501.2588
 F: 604.501.1608

SECTION B

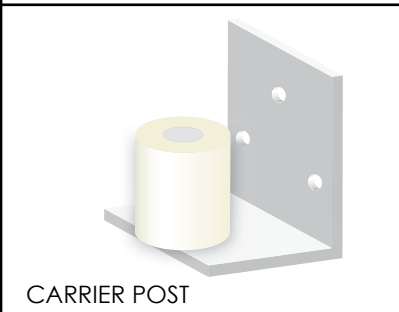
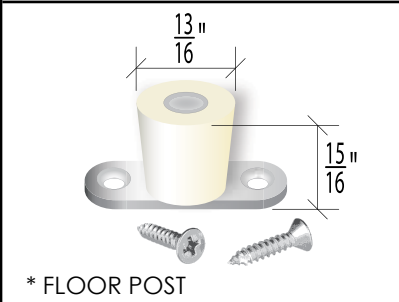
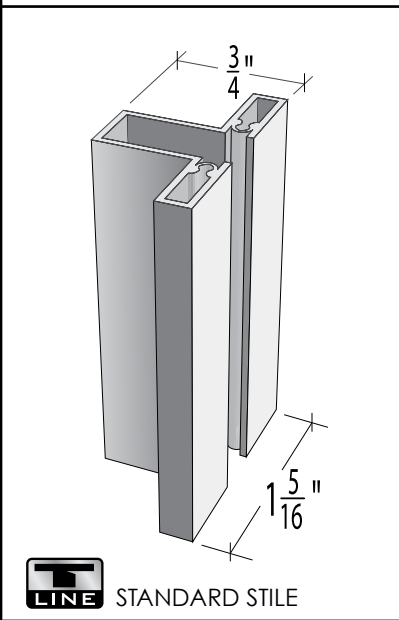
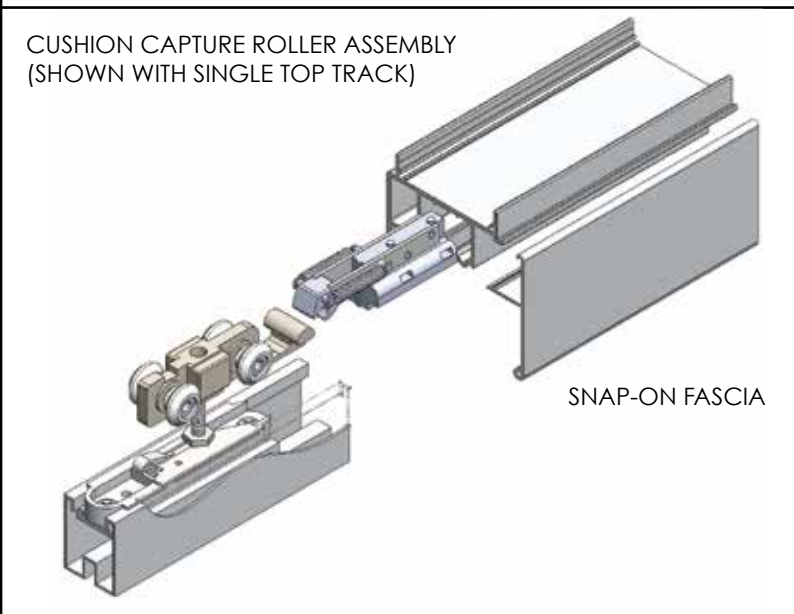


MONACO Mx-DCP*
 Double Track - Ceiling Mount - Floor Post

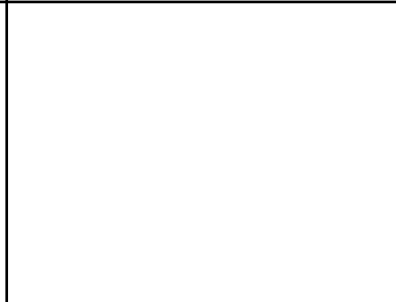
SHEET:

JOB #:

SYSTEM PARTS



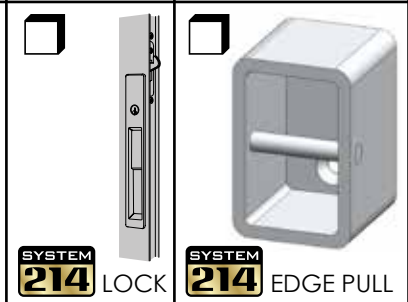
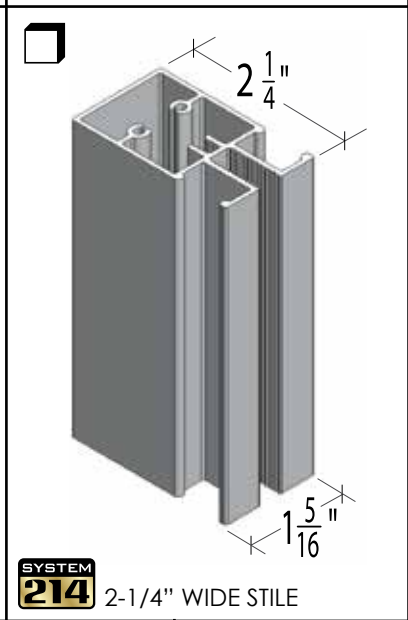
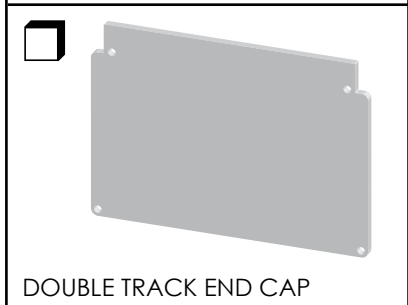
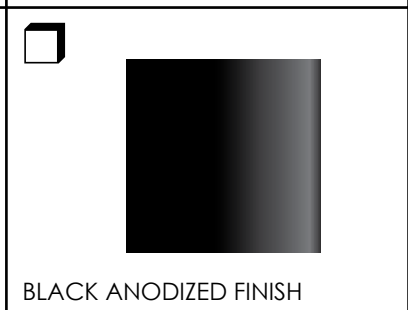
DRAWN BY: JL



- STANDARD INSERTS**
- DIFFUSED WHITE LAMI GLASS
 - CLEAR LAMINATED GLASS
 - MIRROR
 - PREFINISHED HARDBOARD
 - MIRROR / HARDBOARD

DATE: 07/22/17

OPTIONAL PARTS



- SPECIAL INSERTS**
- POLAR WHITE GLASS
 - BLACK GLASS
 - CABANA LITE LAMI GLASS
 - WHITE SAND LAMI GLASS
 - CUSTOMER SUPPLIED INSERT
 - DIVISION BARS

CHECKED BY: DL