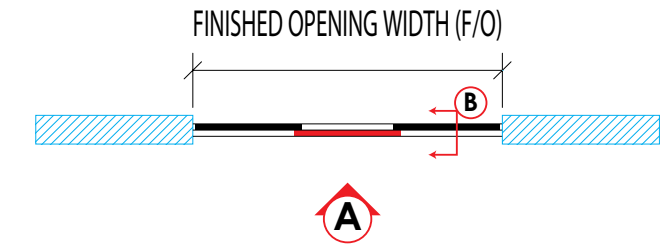


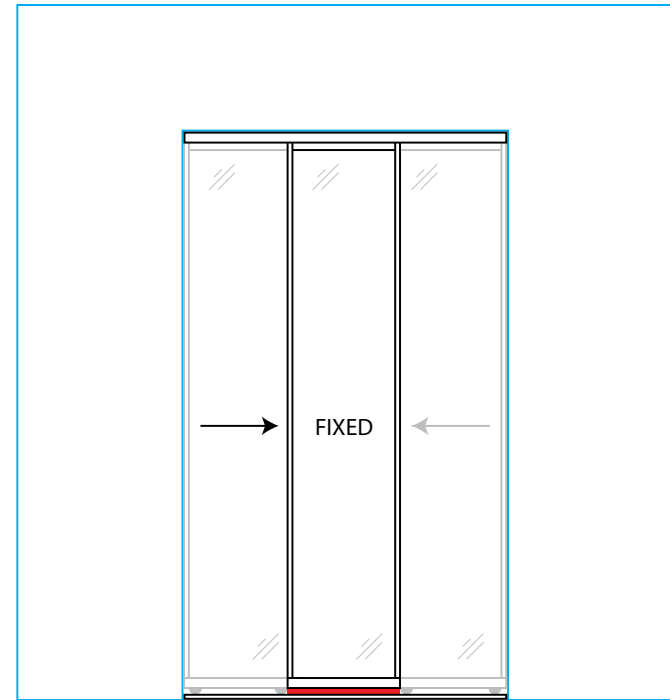
PLAN 6F

SECTION B

OPTIONAL PARTS



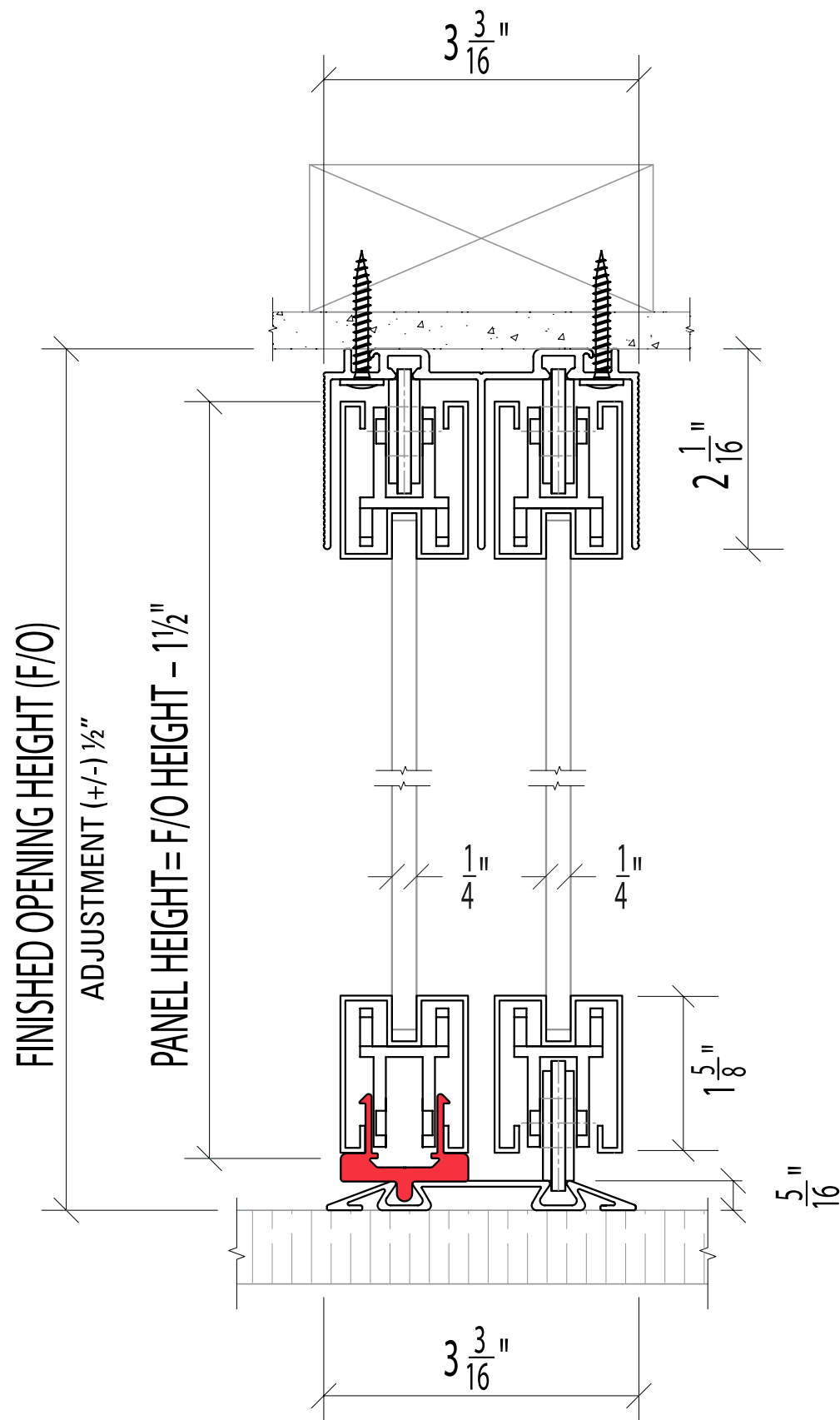
ELEVATION A



PROJECT:

ARCHITECT:

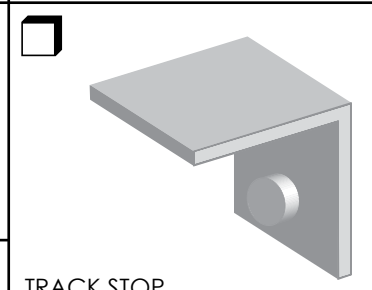
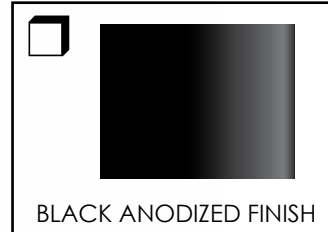
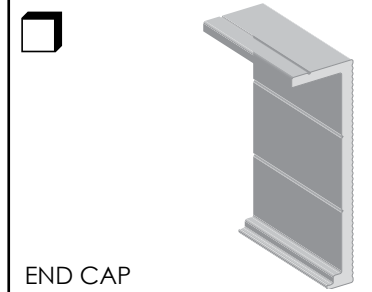
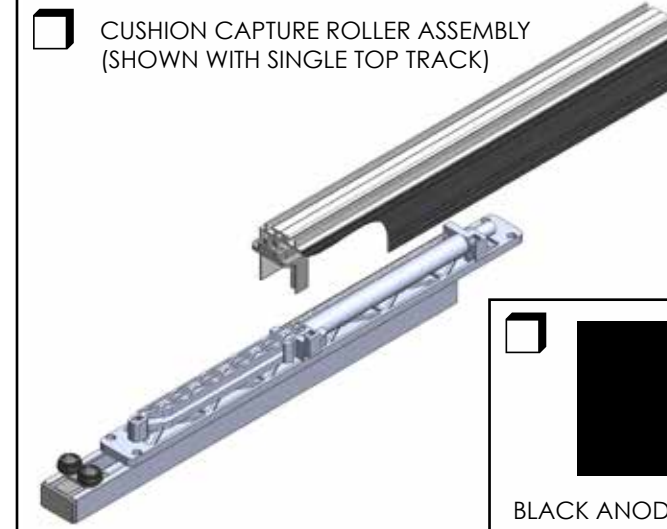
**ALLIANCE GLASS DOORS INC.**  
 Surrey, BC, Canada, V3W 1A2  
**Riviera** by Alliance Glass Doors  
 T: 604.501.2588  
 F: 604.501.1608  
 www.rivieraglassdividers.com



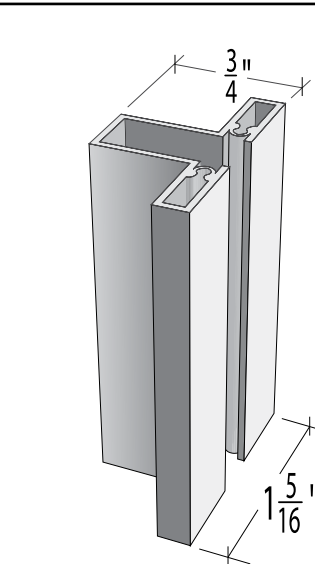
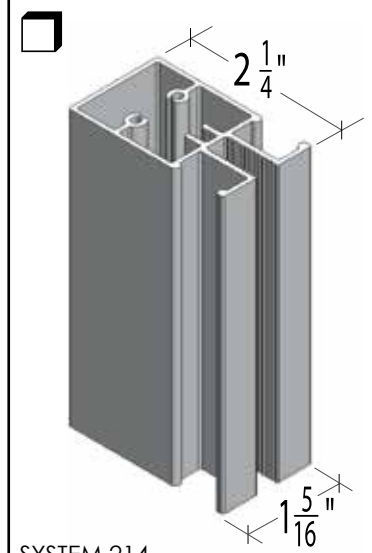
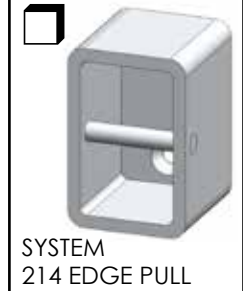
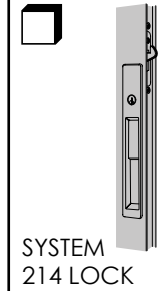
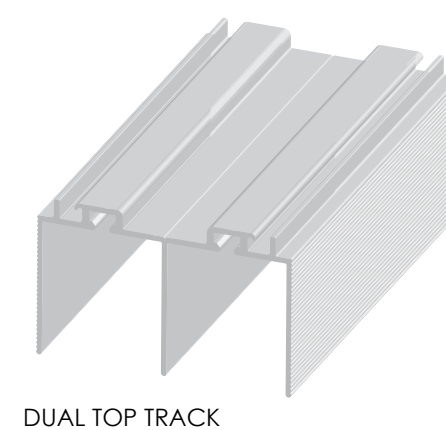
SHEET:

JOB #:

**SAVONA Sx-DCS**  
Double Track - Ceiling Mount - Surface Floor Track

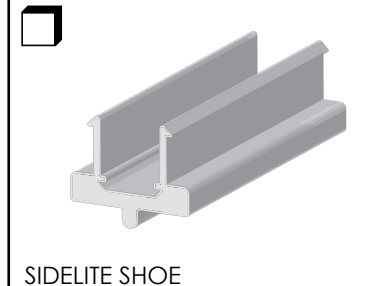


SYSTEM PARTS



- STANDARD INSERTS**
- DIFFUSED WHITE LAMI GLASS
  - CLEAR LAMINATED GLASS
  - MIRROR
  - PREFINISHED HARDBOARD
  - MIRROR / HARDBOARD

- SPECIAL INSERTS**
- POLAR WHITE GLASS
  - BLACK GLASS
  - CABANA LITE LAMI GLASS
  - WHITE SAND LAMI GLASS
  - CUSTOMER SUPPLIED INSERT
  - DIVISION BARS



DRAWN BY: JL

DATE: 04/07/2016

CHECKED BY: DL

PLEASE NOTE: "x" in the product code refers to the stile options - Standard = "T" ; Sys 214 = "W"