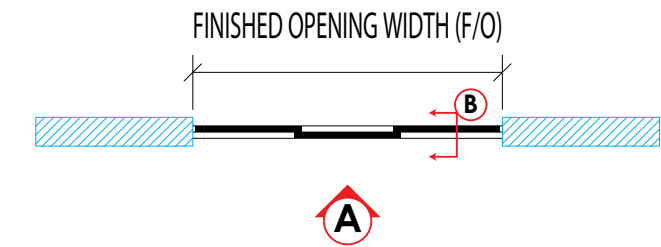


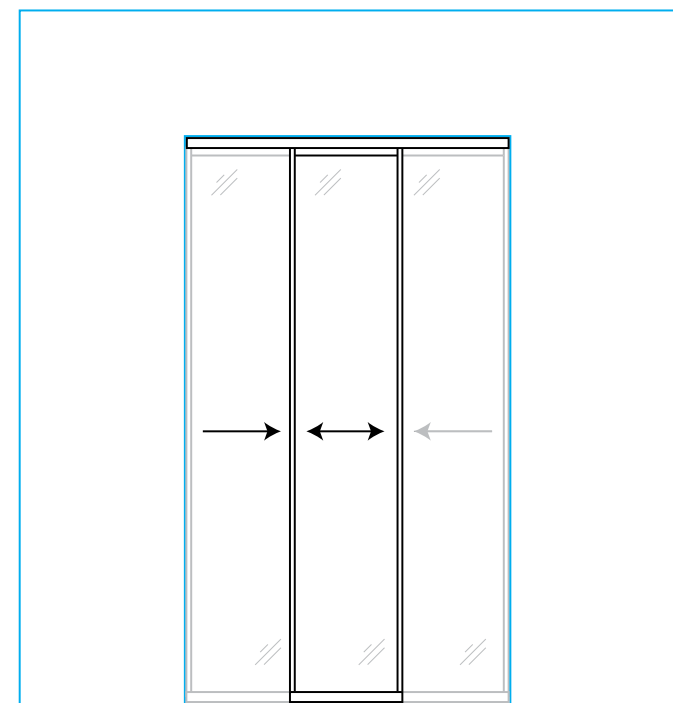
PLAN 6

SECTION B

OPTIONAL PARTS



ELEVATION A



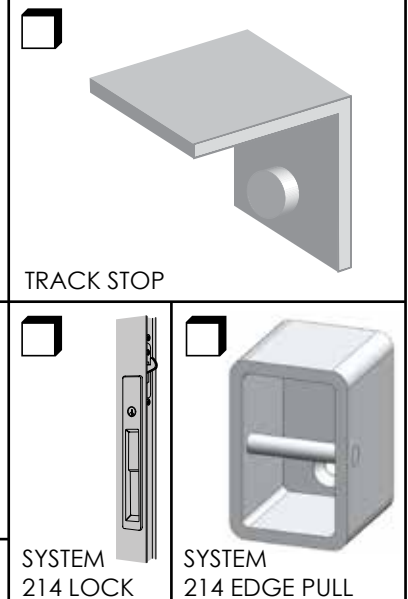
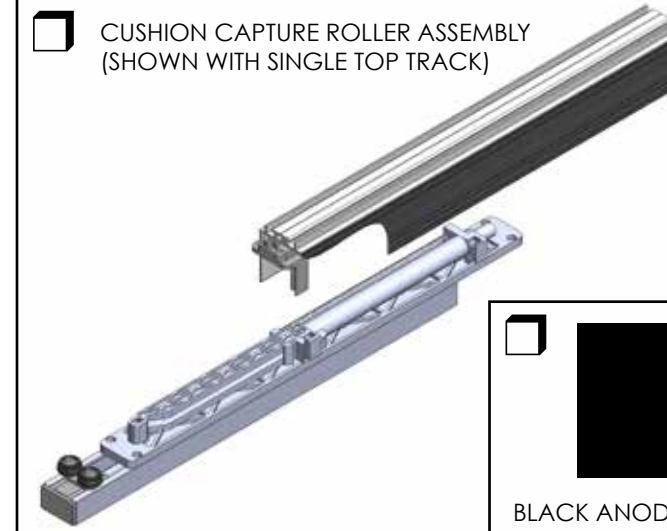
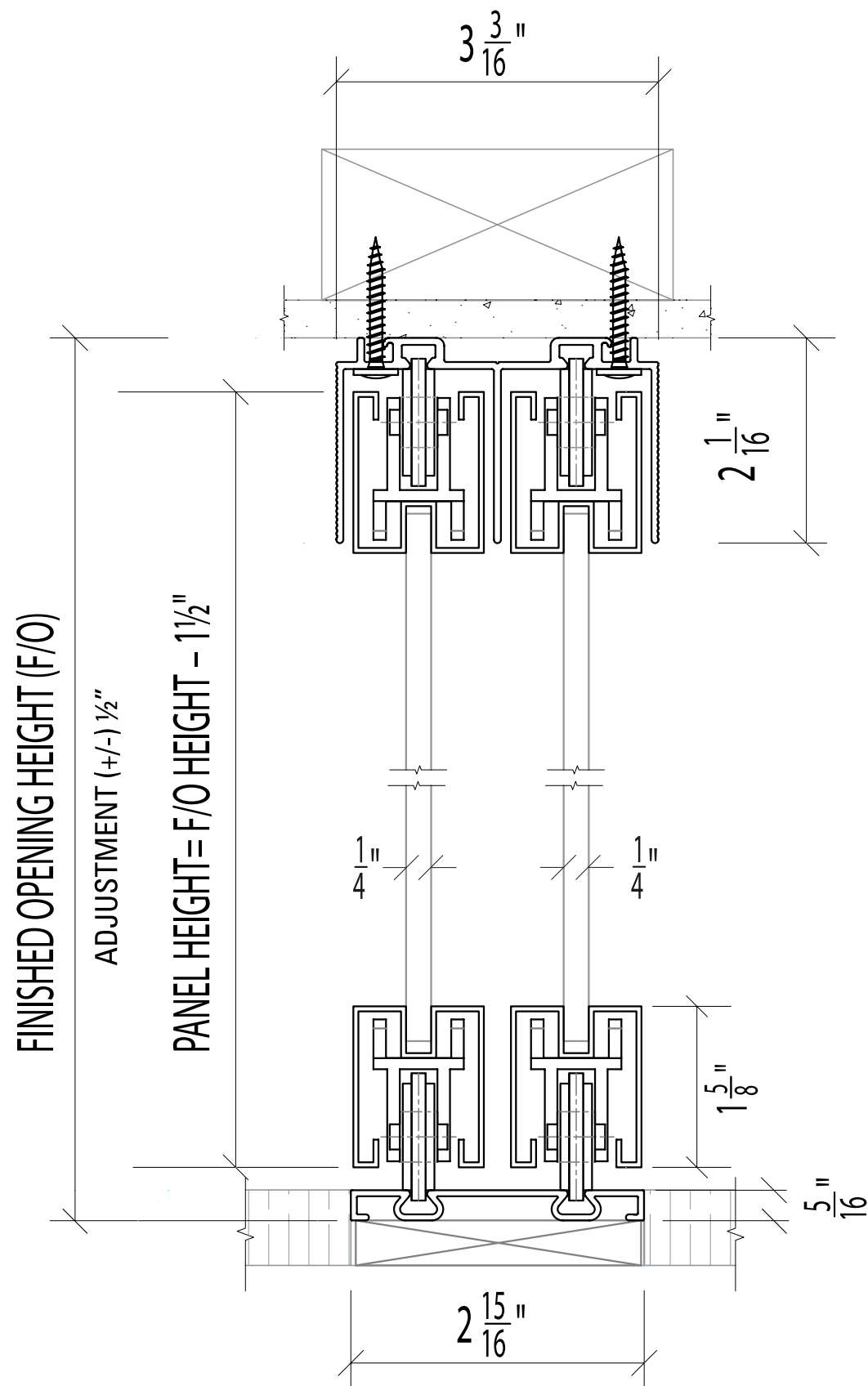
PROJECT:

ARCHITECT:

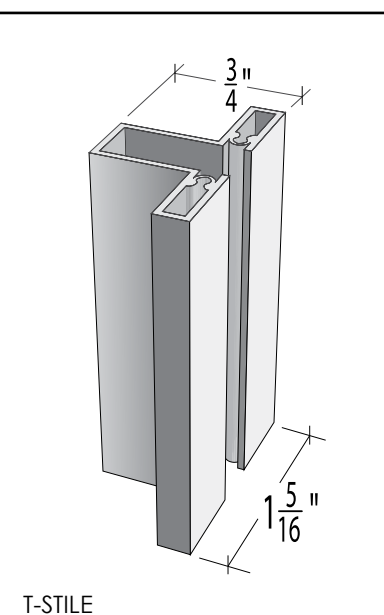
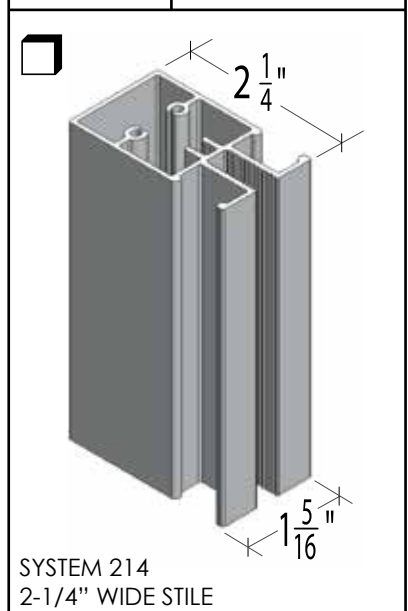
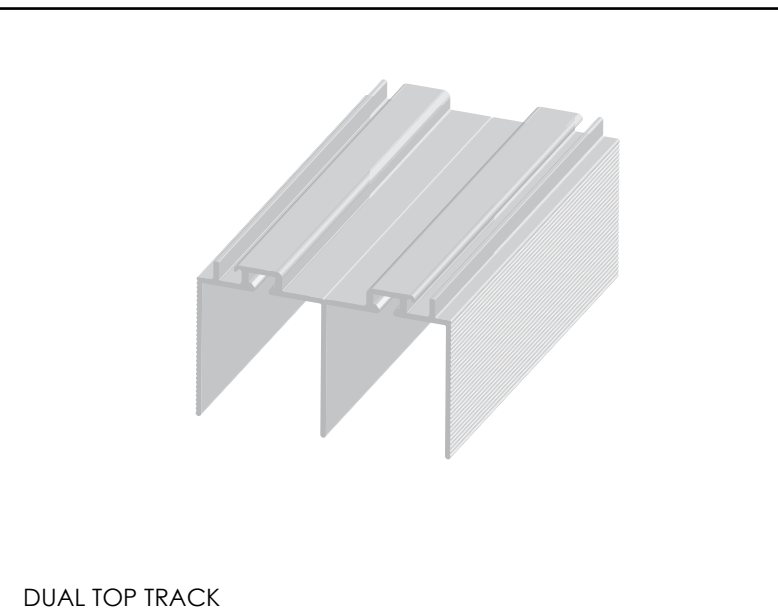
Riviera
by Alliance Glass Doors

www.rivieraglassdividers.com

ALLIANCE GLASS DOORS INC.
Surrey, BC, Canada, V3W 1A2
T: 604.501.2588
F: 604.501.1608



SYSTEM PARTS



- STANDARD INSERTS**
- DIFFUSED WHITE LAMI GLASS
 - CLEAR LAMINATED GLASS
 - MIRROR
 - PREFINISHED HARDBOARD
 - MIRROR / HARDBOARD

- SPECIAL INSERTS**
- POLAR WHITE GLASS
 - BLACK GLASS
 - CABANA LITE LAMI GLASS
 - WHITE SAND LAMI GLASS
 - CUSTOMER SUPPLIED INSERT
 - DIVISION BARS

SHEET:

JOB #:

DRAWN BY: JL

DATE: 04/07/2016

CHECKED BY: DL

SAVONA Sx-DCF
Double Track - Ceiling Mount - Flush Floor Track

PLEASE NOTE: "x" in the product code refers to the stile options - Standard = "T" ; Sys 214 = "W"