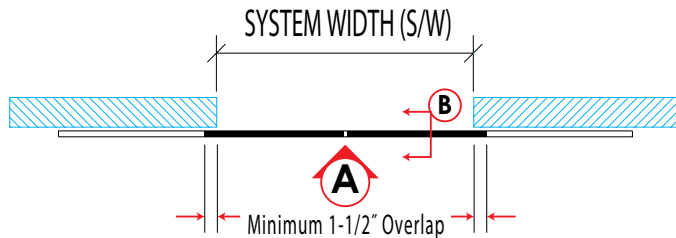
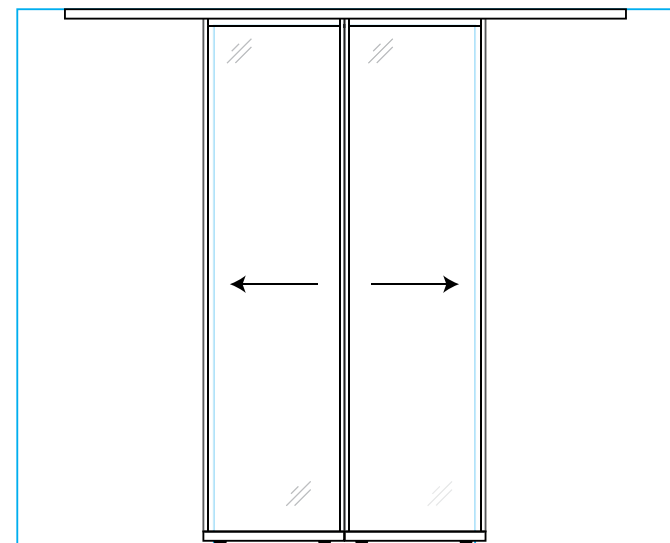


PLAN 2



ELEVATION A



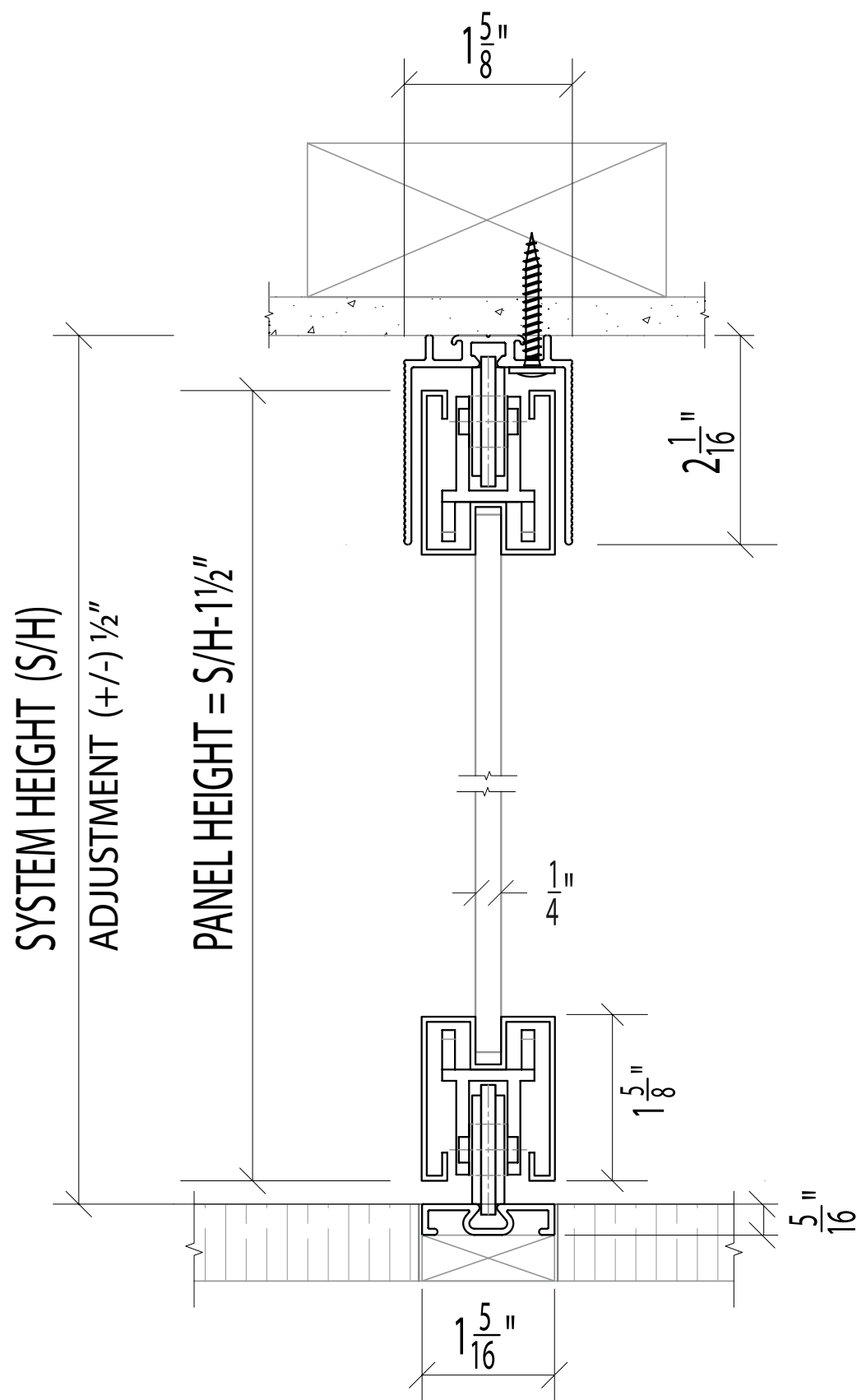
PROJECT:

ARCHITECT:



ALLIANCE GLASS DOORS INC.
 Surrey, BC, Canada, V3W 1A2
 T: 604.501.2588
 F: 604.501.1608

SECTION B



SYSTEM HEIGHT (S/H)
 ADJUSTMENT (+/-) 1/2"

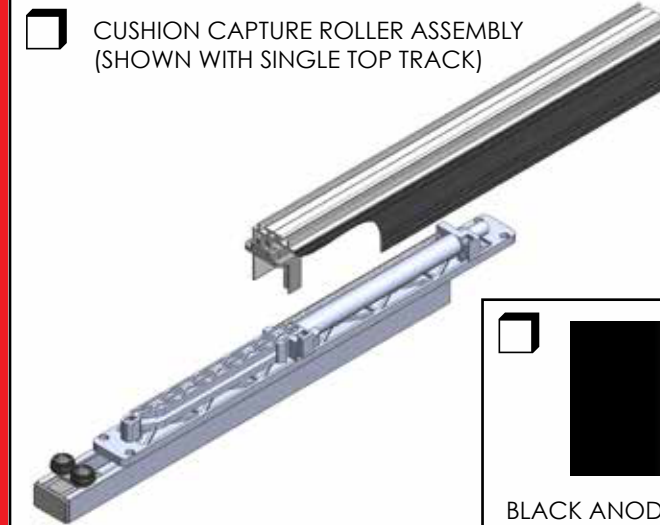
PANEL HEIGHT = S/H - 1 1/2"

SAVONA Sx-SCF
 Single Track - Vertical Mount - Flush Floor Track

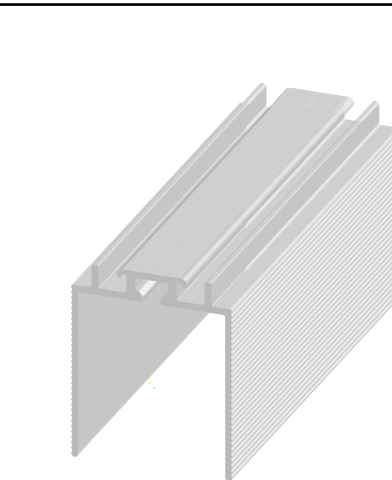
SHEET:

JOB #:

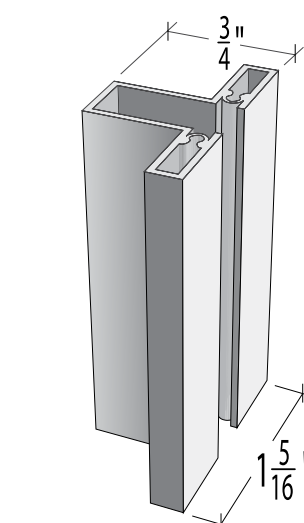
OPTIONAL PARTS



SYSTEM PARTS



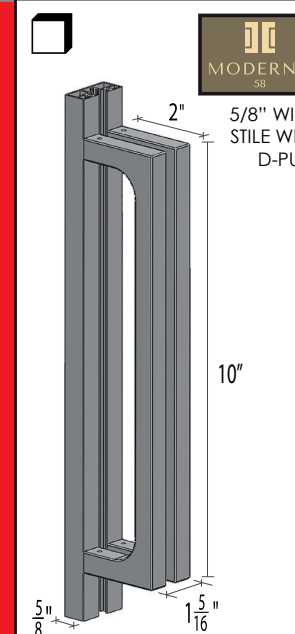
SINGLE TOP TRACK



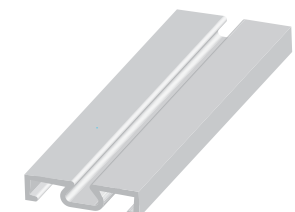
STANDARD STILE



BLACK ANODIZED FINISH



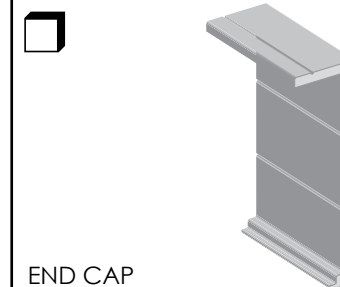
5/8" WIDE STILE WITH D-PULL



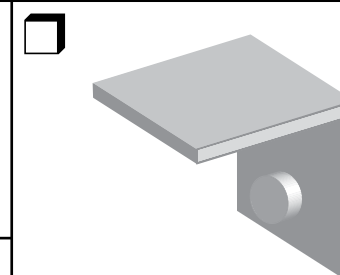
SINGLE FLUSH TRACK

STANDARD INSERTS

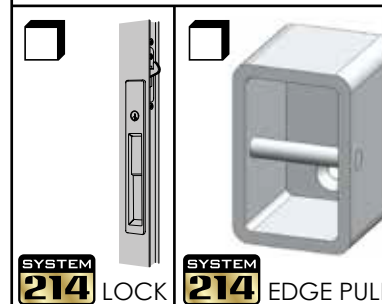
- DIFFUSED WHITE LAMI GLASS
- CLEAR LAMINATED GLASS
- MIRROR
- PREFINISHED HARDBOARD
- MIRROR / HARDBOARD



END CAP

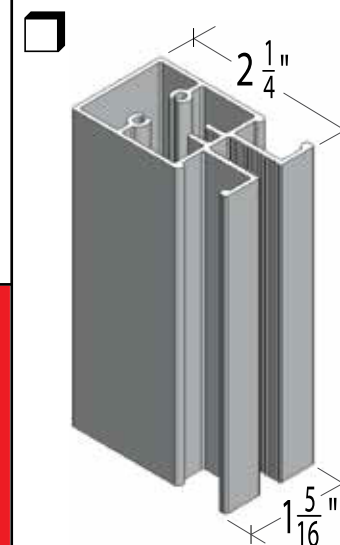


TRACK STOP



SYSTEM 214 LOCK

SYSTEM 214 EDGE PULL



SYSTEM 214 2-1/4" WIDE STILE

SPECIAL INSERTS

- POLAR WHITE GLASS
- BLACK GLASS
- CUSTOMER SUPPLIED INSERT
- DIVISION BARS

DRAWN BY: JL

DATE: 11/01/20

CHECKED BY: DL

PLEASE NOTE: "x" in the product code refers to the stile options - Standard LINE = "T"; SYSTEM 214 = "214"; MODERNO SR = "M58"

Riviera Glass Dividers

Savona Cushion Capture with Lo Rail

