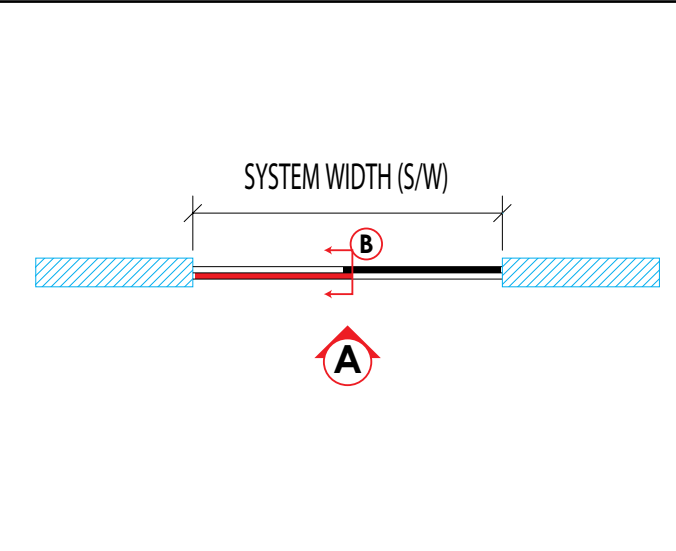
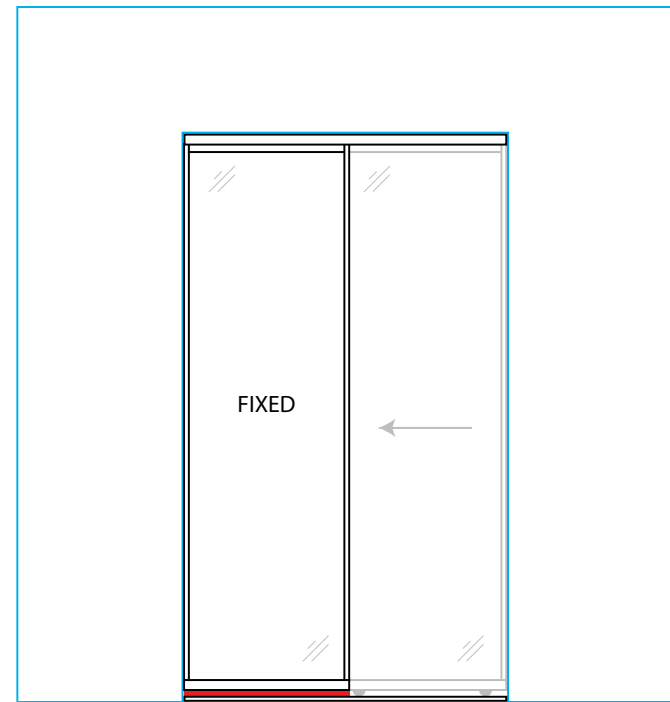


PLAN 5F

SECTION B



ELEVATION A

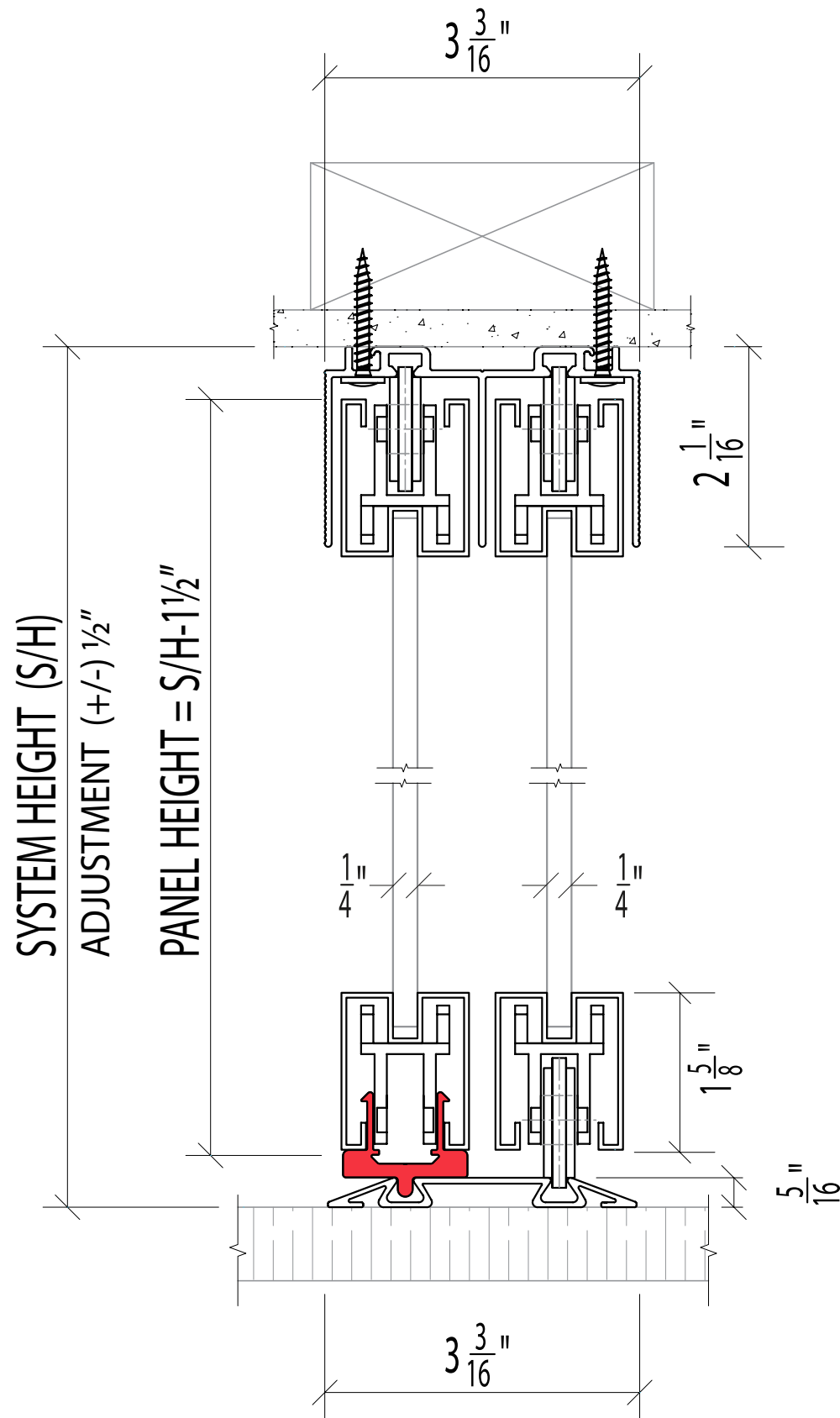


PROJECT:

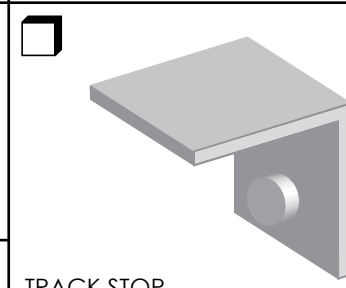
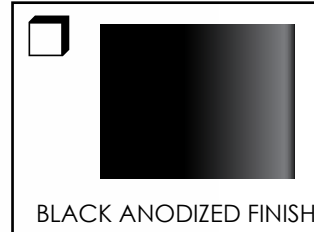
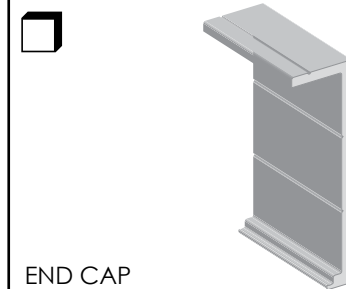
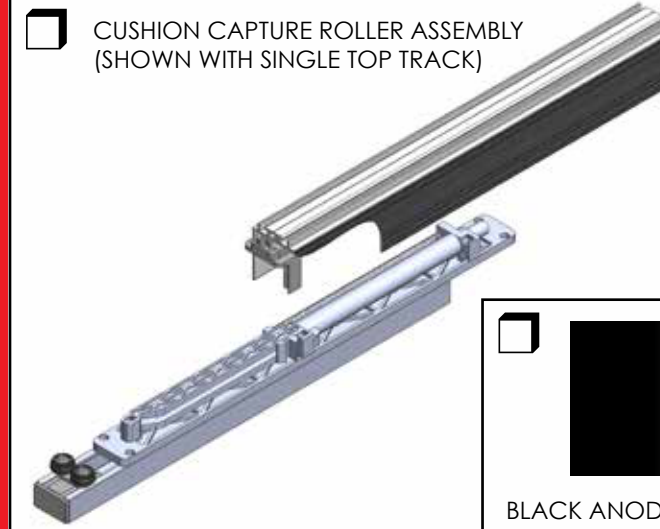
ARCHITECT:



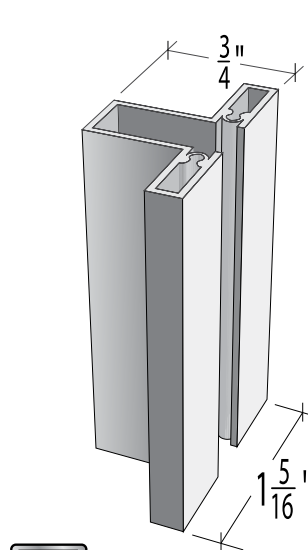
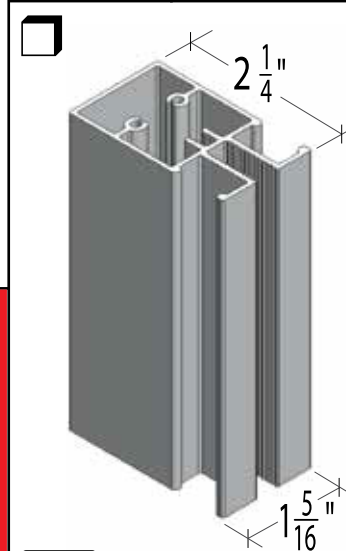
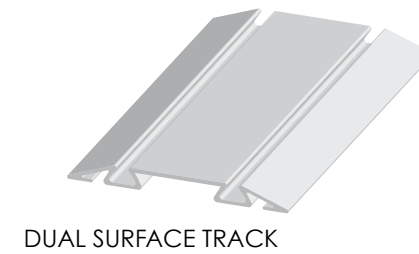
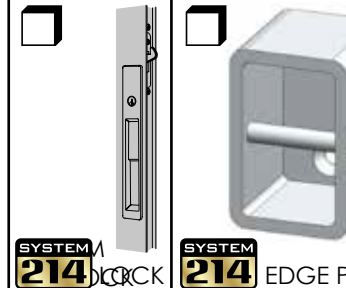
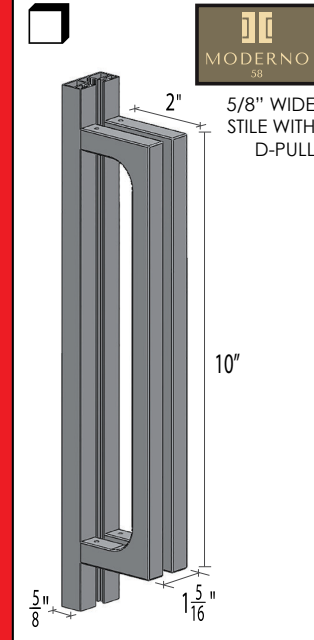
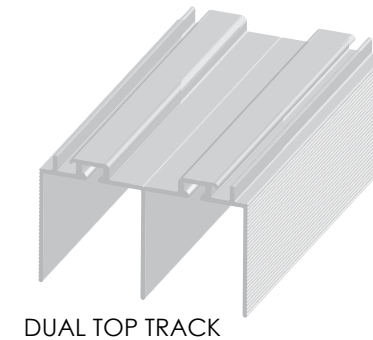
ALLIANCE GLASS DOORS INC.  
Surrey, BC, Canada, V3W 1A2  
T: 604.501.2588  
F: 604.501.1608



OPTIONAL PARTS

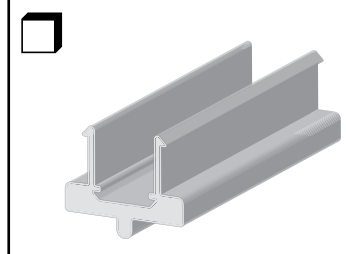


SYSTEM PARTS



- STANDARD INSERTS
- DIFFUSED WHITE LAMI GLASS
  - CLEAR LAMINATED GLASS
  - MIRROR
  - PREFINISHED HARDBOARD
  - MIRROR / HARDBOARD

- SPECIAL INSERTS
- POLAR WHITE GLASS
  - BLACK GLASS
  - CUSTOMER SUPPLIED INSERT
  - DIVISION BARS



SHEET:

JOB #:

DRAWN BY: JL

DATE: 11/01/20

CHECKED BY: DL

SAVONA Sx-DCS  
Double Track - Vertical Mount - Surface Floor Track

PLEASE NOTE: "x" in the product code refers to the stile options - Standard LINE = "T"; SYSTEM 214 = "214"; MODERNO SR = "M58"

