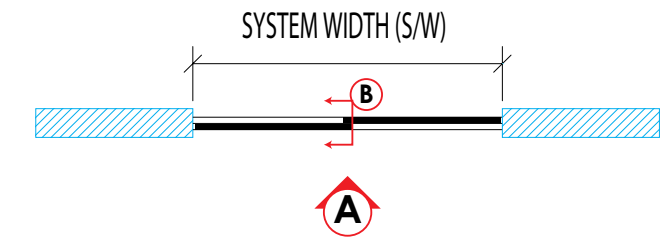


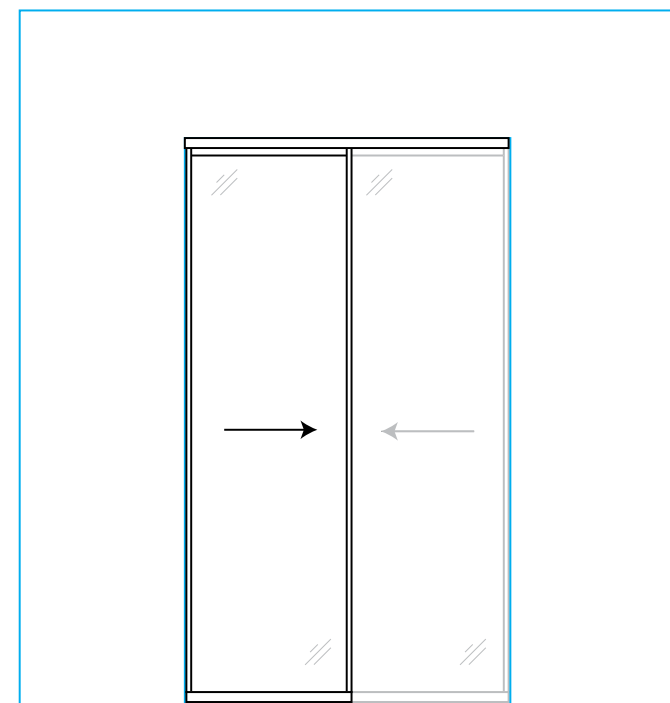
PLAN 5

SECTION B

OPTIONAL PARTS



ELEVATION A

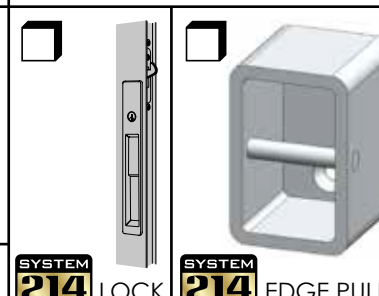
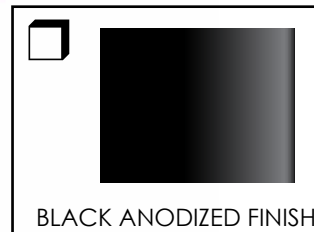
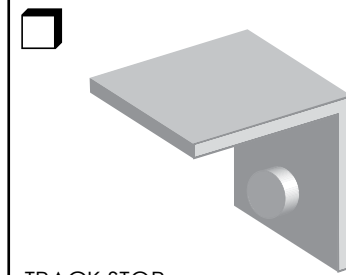
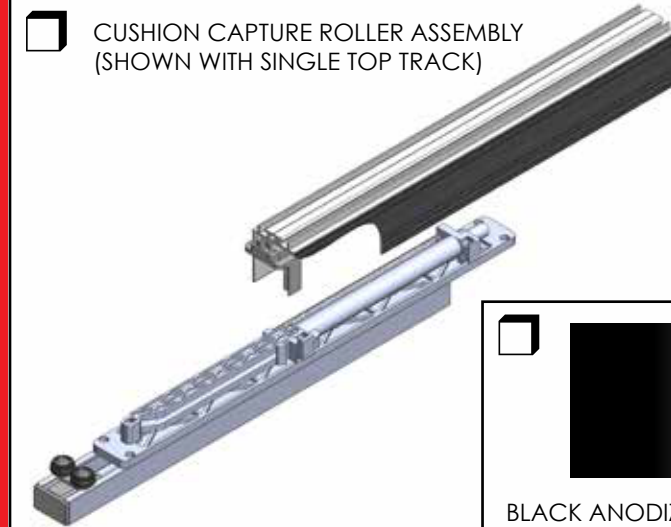
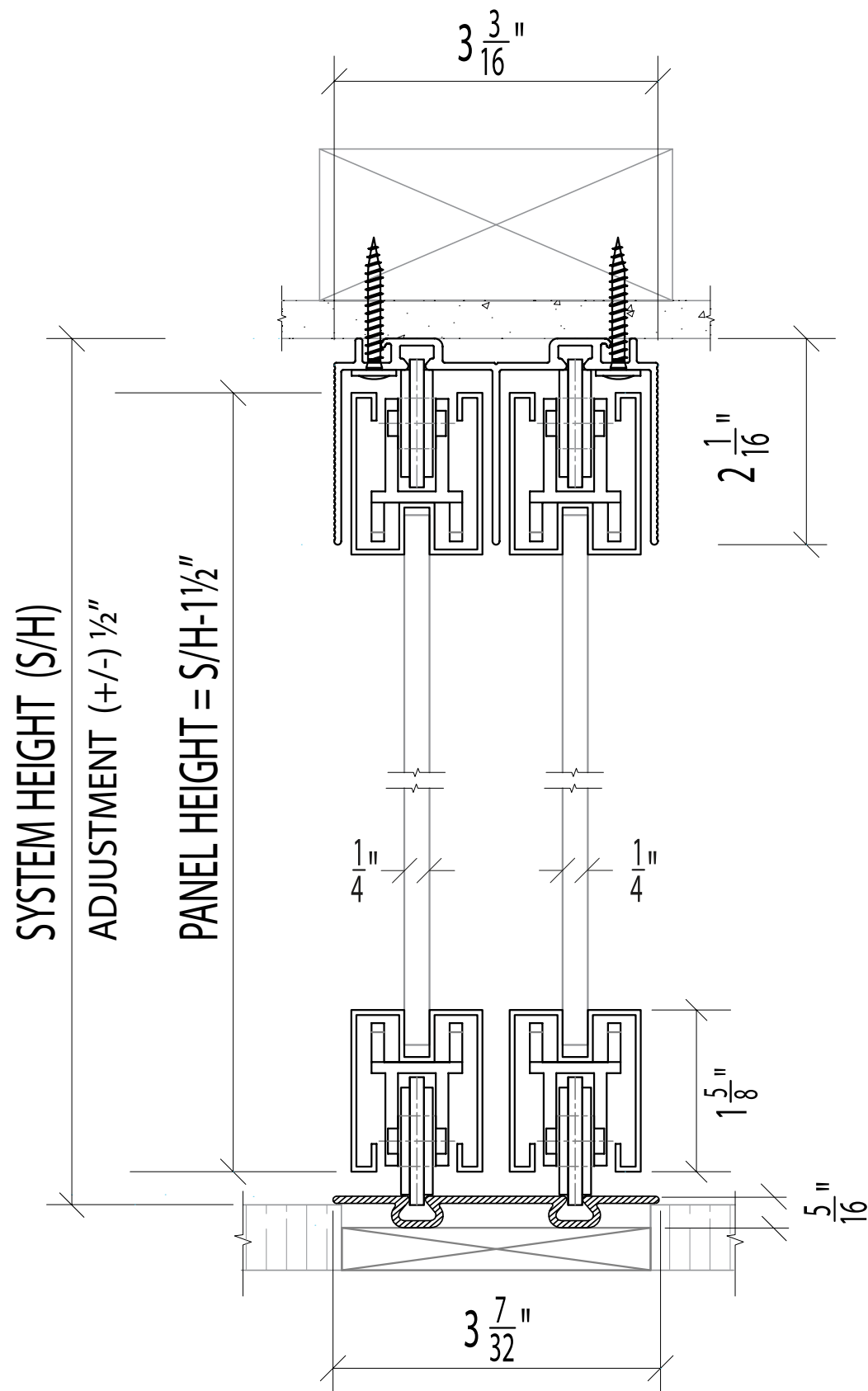


PROJECT:

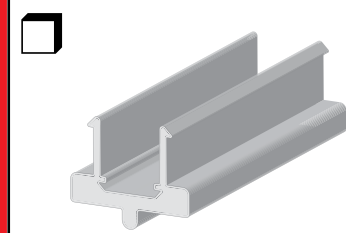
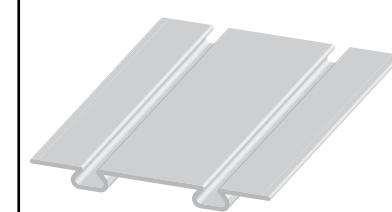
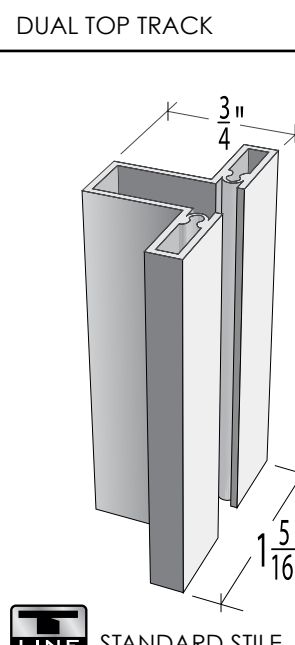
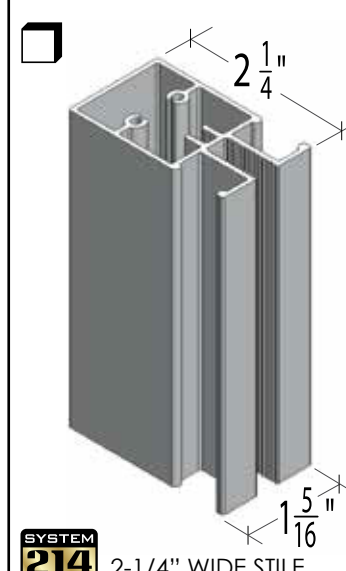
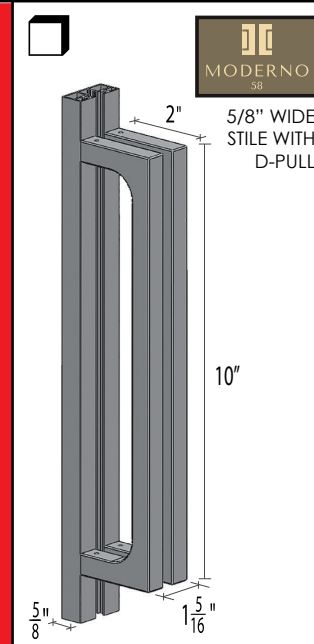
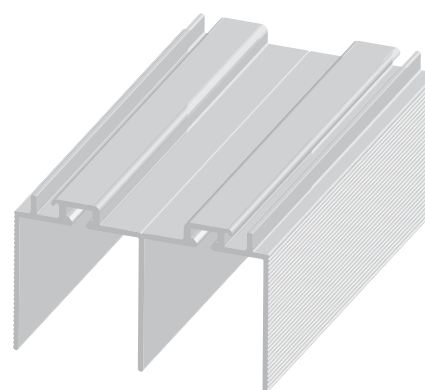
ARCHITECT:



ALLIANCE GLASS DOORS INC.
 Surrey, BC, Canada, V3W 1A2
 T: 604.501.2588
 F: 604.501.1608



SYSTEM PARTS



- STANDARD INSERTS
- DIFFUSED WHITE LAMI GLASS
 - CLEAR LAMINATED GLASS
 - MIRROR
 - PREFINISHED HARDBOARD
 - MIRROR / HARDBOARD

- SPECIAL INSERTS
- POLAR WHITE GLASS
 - BLACK GLASS
 - CUSTOMER SUPPLIED INSERT
 - DIVISION BARS

SHEET:

JOB #:

DRAWN BY: JL

DATE: 11/01/20

CHECKED BY: DL

SAVONA Sx-DCF
 Double Track - Vertical Mount - Flush Floor Track

PLEASE NOTE: "x" in the product code refers to the stile options - Standard LINE = "T"; SYSTEM 214 = "214"; MODERNO 88 = "M58"

