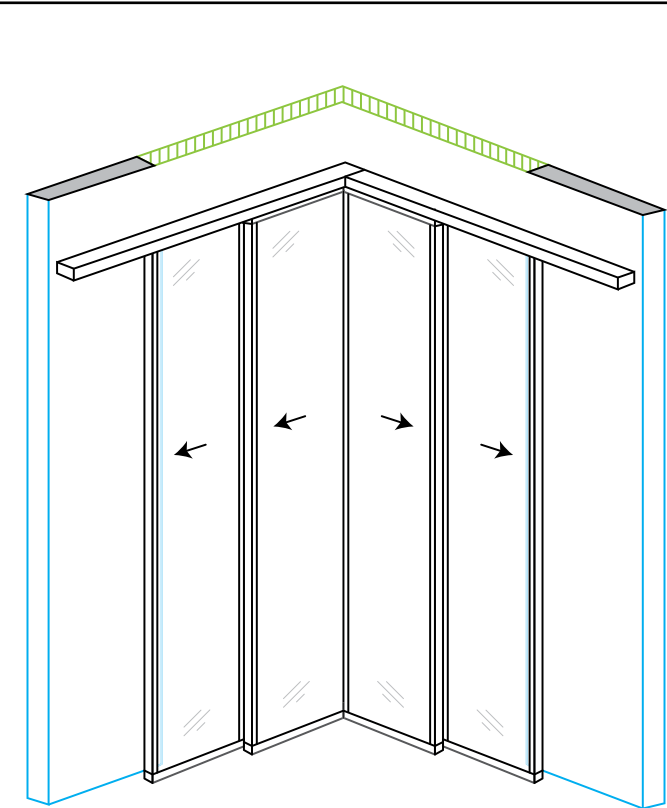


ELEVATION A



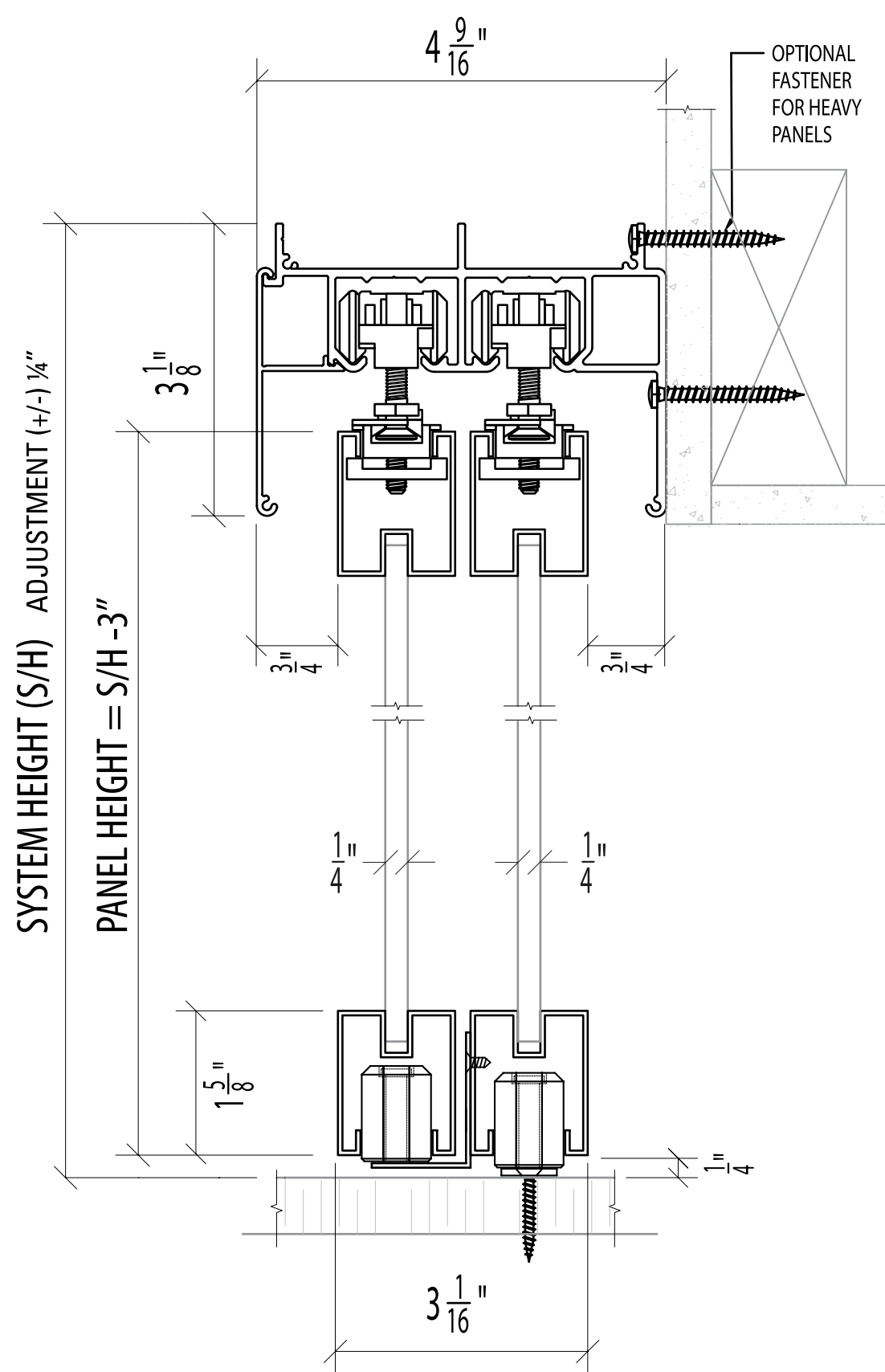
SEE INSTALLATION INSTRUCTIONS FOR CORNER DETAILS

PROJECT:

ARCHITECT:



**ALLIANCE GLASS DOORS INC.**  
 Surrey, BC, Canada, V3W 1A2  
 T: 604.501.2588  
 F: 604.501.1608

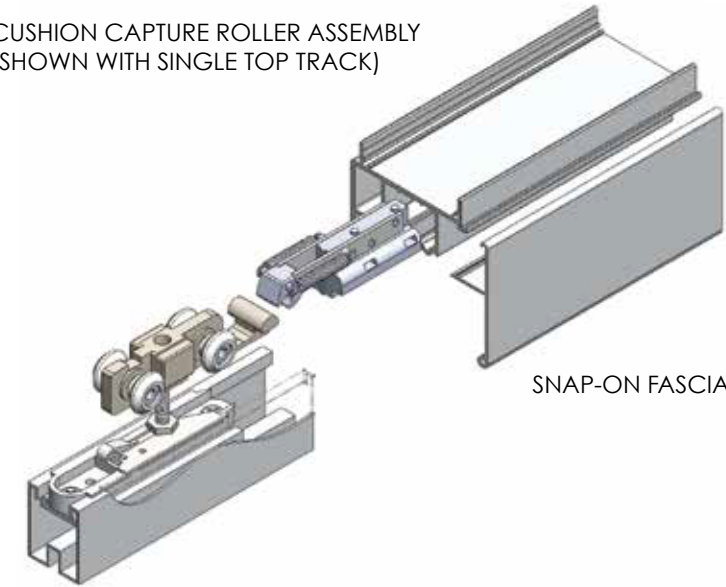


MONACO Mx-DWP\* with Mx-DWP\* at 90°  
 Double Track - Inside Wall Mount - Floor Post with Carrier Post to Double Track - Inside Wall Mount - Floor Post with Carrier Post

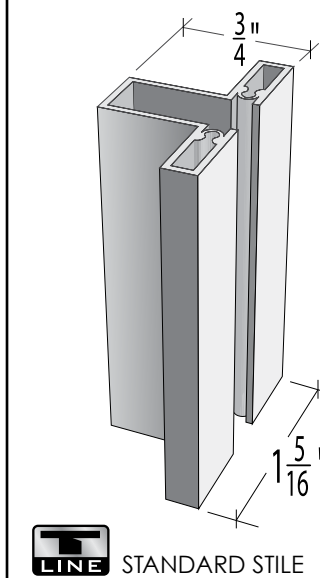
SHEET:

JOB #:

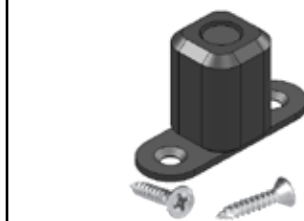
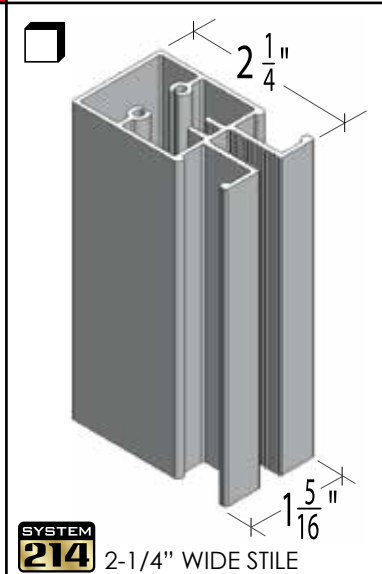
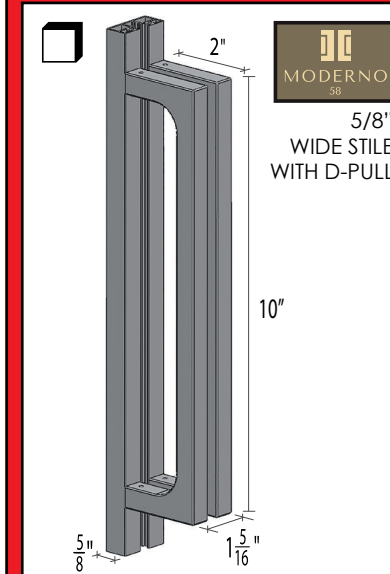
CUSHION CAPTURE ROLLER ASSEMBLY (SHOWN WITH SINGLE TOP TRACK)



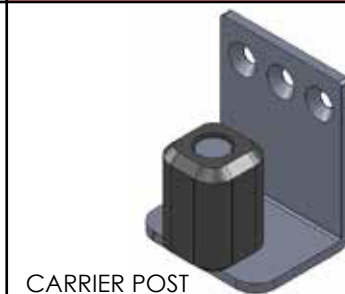
SNAP-ON FASCIA



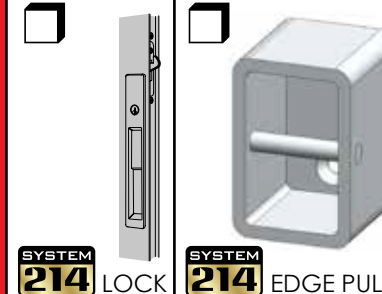
LINE STANDARD STILE



\* FLOOR POST



CARRIER POST



SYSTEM 214 LOCK SYSTEM 214 EDGE PULL

- STANDARD INSERTS
- DIFFUSED WHITE LAMI GLASS
  - CLEAR LAMINATED GLASS
  - MIRROR
  - PREFINISHED HARDBOARD
  - MIRROR / HARDBOARD

- SPECIAL INSERTS
- POLAR WHITE GLASS
  - BLACK GLASS
  - CUSTOMER SUPPLIED INSERT
  - DIVISION BARS

DRAWN BY: JL

DATE: 11/01/20

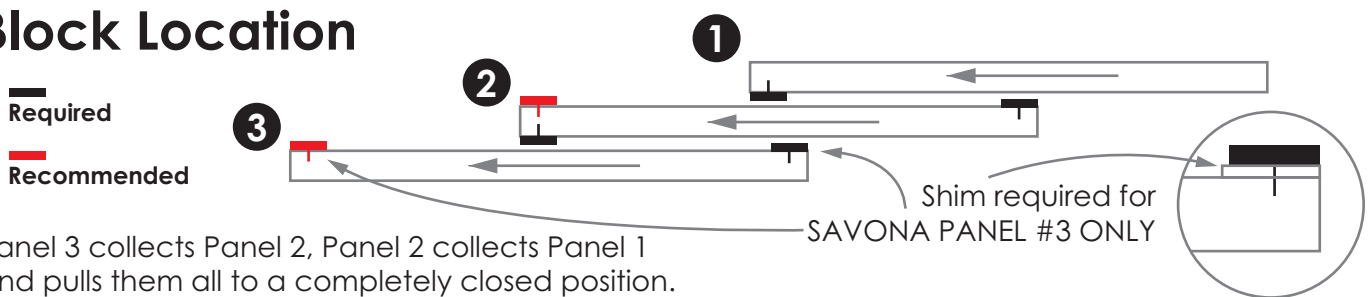
CHECKED BY: DL

Riviera Glass Divider "Collector Blocks" are designed to assist in closing multi-panel sets of sliding door panels by collecting each panel they pass by. When closing the set, the outermost panel will inter-lock with the next panel, and pull it along to its resting position. To re-open, with all required and recommended blocks installed, pushing the outermost panel will collect all panels as a group. Panels will be staggered in the fully open position.

Below you'll find instructions for installing the blocks. Pay close attention to identify your track series (Monaco or Savona), and the correct location and orientation on the panel. Peel and stick the block in place as illustrated, then install self tapping screws to permanently secure. Pre-drilling is not necessary.

**IMPORTANT:** Read these instructions completely before beginning any installation.

### Block Location

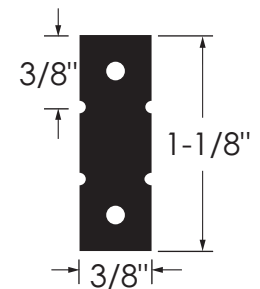
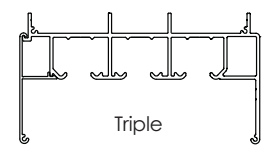
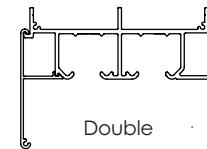
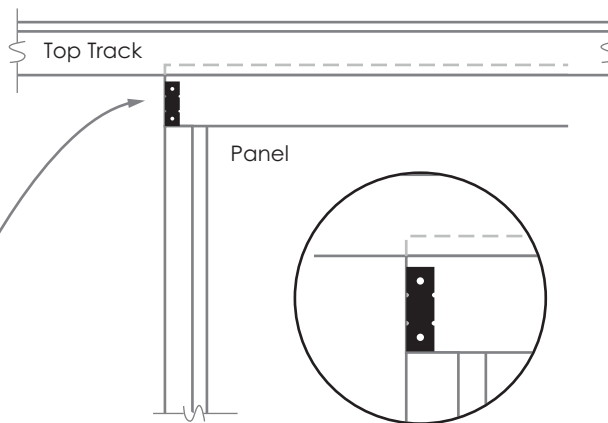


Panel 3 collects Panel 2, Panel 2 collects Panel 1 and pulls them all to a completely closed position.

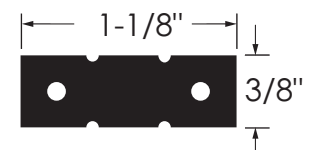
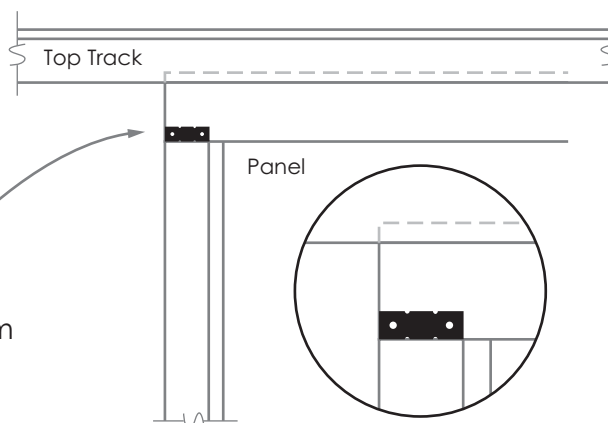
### Block Orientation MONACO



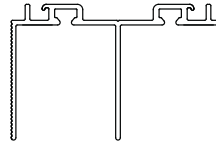
LONG EDGE of Block  
Flush with end of Rail  
@ Bottom of Rail



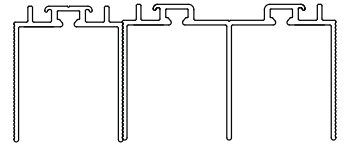
SHORT EDGE of Block  
Flush with end of Rail  
LONG EDGE @ Bottom  
of Rail



**Block Orientation SAVONA**



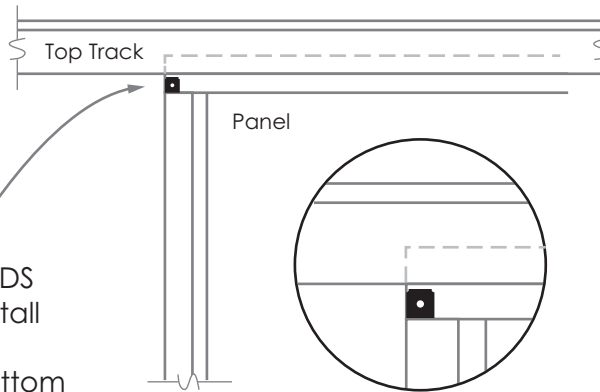
Double



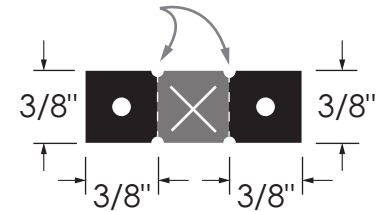
Triple



BREAK OFF BLOCK ENDS  
to 3/8" x 3/8" then install  
Flush with end of Rail  
Bottom of Block @ bottom  
of Rail... SHIM PANEL 3 ONLY



BREAK OFF at notches  
to yield 2 Collector blocks  
(discard middle section)



SHORT EDGE of Block  
Flush with end of Rail  
LONG EDGE @ Bottom  
of Rail... SHIM PANEL 3 ONLY

