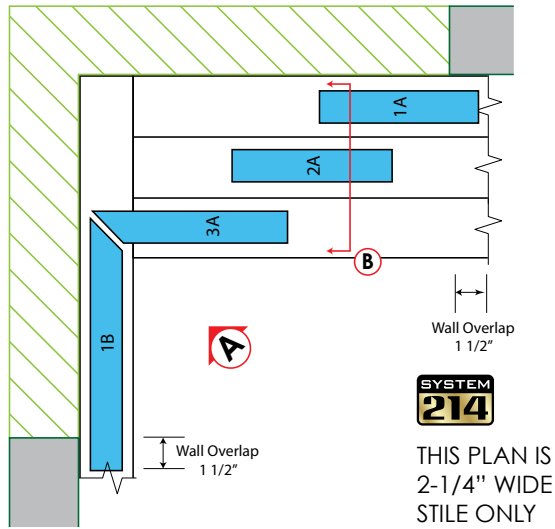


S2T-IWxMPxBT - Inside Wall - Mitred Panels - Butted Tracks

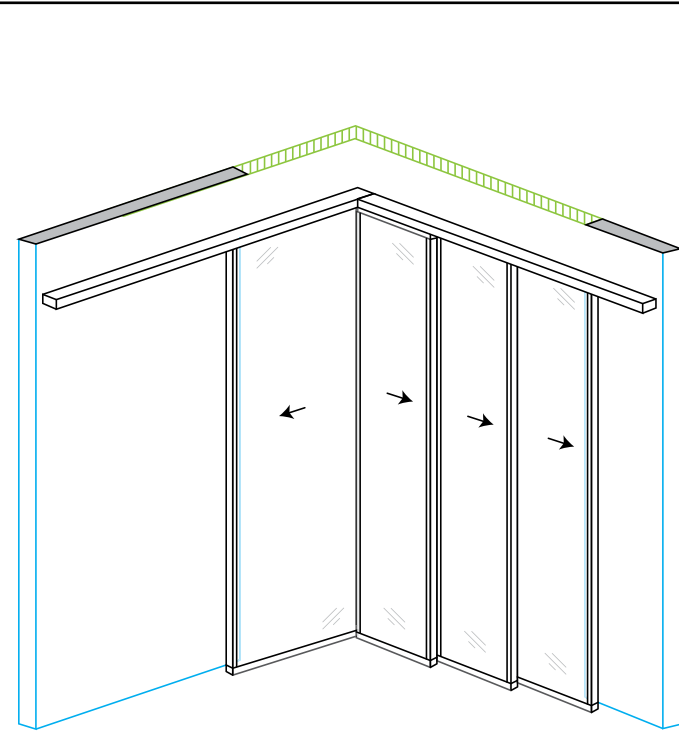
SECTION B

SYSTEM PARTS

OPTIONAL PARTS



ELEVATION A



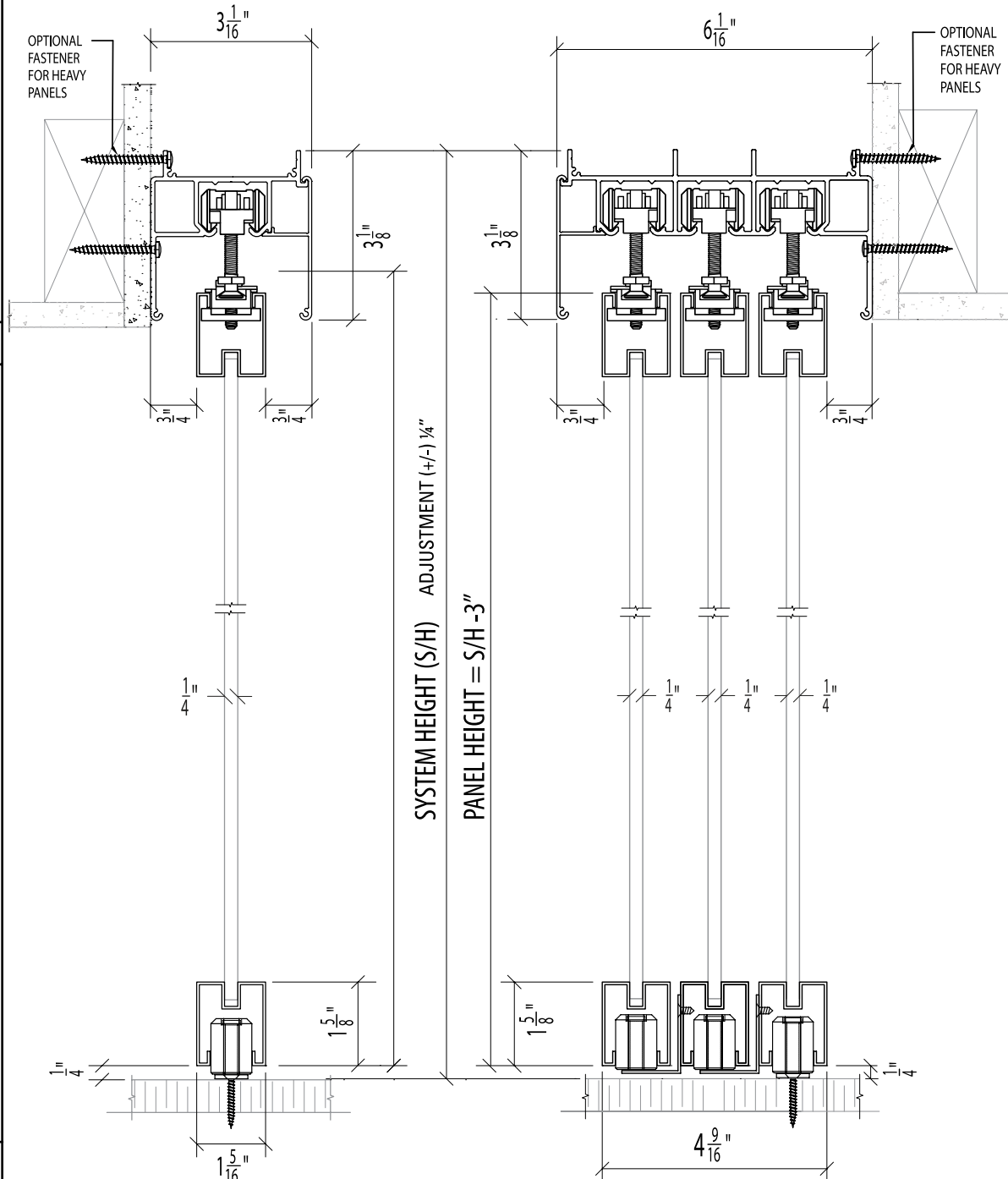
SEE INSTALLATION INSTRUCTIONS FOR CORNER DETAILS

PROJECT:

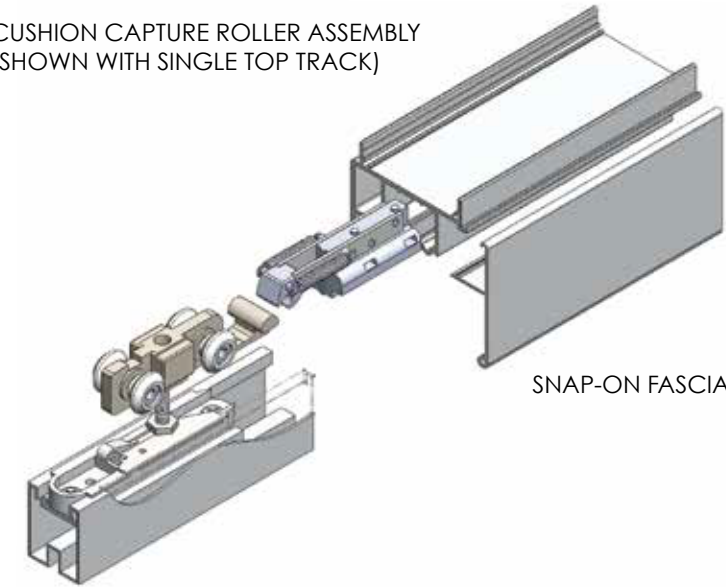
ARCHITECT:



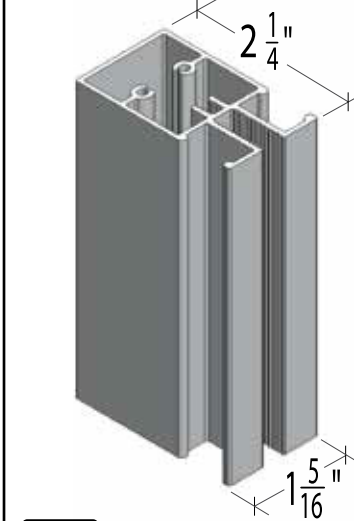
ALLIANCE GLASS DOORS INC.
 Surrey, BC, Canada, V3W 1A2
 T: 604.501.2588
 F: 604.501.1608



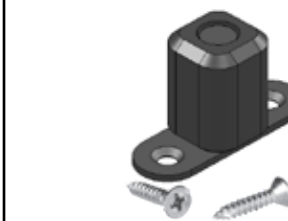
CUSHION CAPTURE ROLLER ASSEMBLY (SHOWN WITH SINGLE TOP TRACK)



SNAP-ON FASCIA



SYSTEM 214 2-1/4" WIDE STILE ONLY



* FLOOR POST

2 X



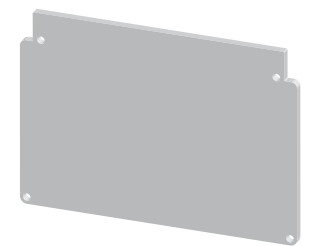
CARRIER POST

STANDARD INSERTS

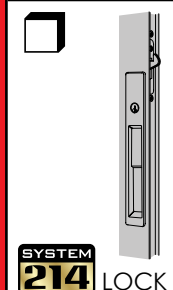
- DIFFUSED WHITE LAMI GLASS
- CLEAR LAMINATED GLASS
- MIRROR
- PREFINISHED HARDBOARD
- MIRROR / HARDBOARD



BLACK ANODIZED FINISH



TRACK END CAP



SYSTEM 214 LOCK



SYSTEM 214 EDGE PULL

SPECIAL INSERTS

- POLAR WHITE GLASS
- BLACK GLASS
- CUSTOMER SUPPLIED INSERT
- DIVISION BARS

MONACO Mx-SWP* with Mx-TWP* at 90°

Single Track - Inside Wall Mount - Floor Post to Triple Track - Inside Wall Mount - Floor Post with Carrier Post

SHEET:

JOB #:

DRAWN BY: JL

DATE: 11/01/20

CHECKED BY: DL

Riviera Glass Divider "Collector Blocks" are designed to assist in closing multi-panel sets of sliding door panels by collecting each panel they pass by. When closing the set, the outermost panel will inter-lock with the next panel, and pull it along to its resting position. To re-open, with all required and recommended blocks installed, pushing the outermost panel will collect all panels as a group. Panels will be staggered in the fully open position.

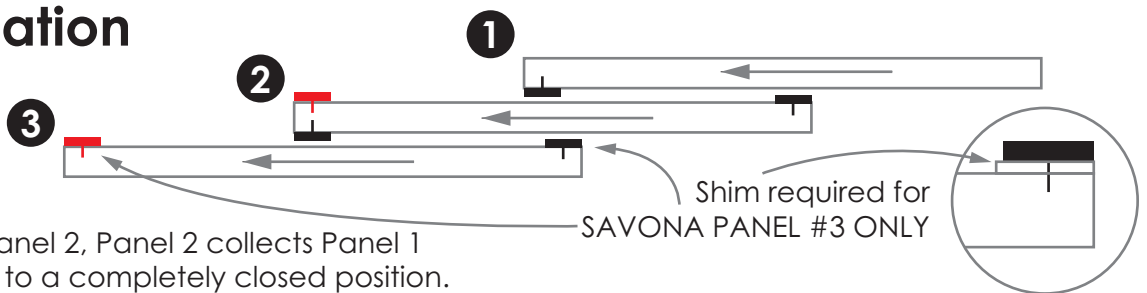
Below you'll find instructions for installing the blocks. Pay close attention to identify your track series (Monaco or Savona), and the correct location and orientation on the panel. Peel and stick the block in place as illustrated, then install self tapping screws to permanently secure. Pre-drilling is not necessary.

IMPORTANT: Read these instructions completely before beginning any installation.

Block Location

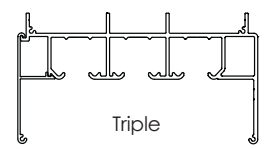
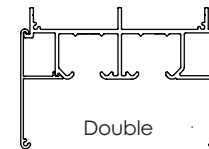
Required

Recommended

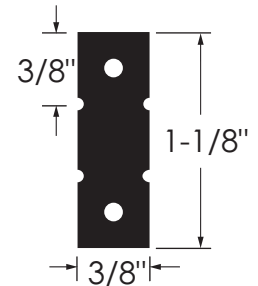
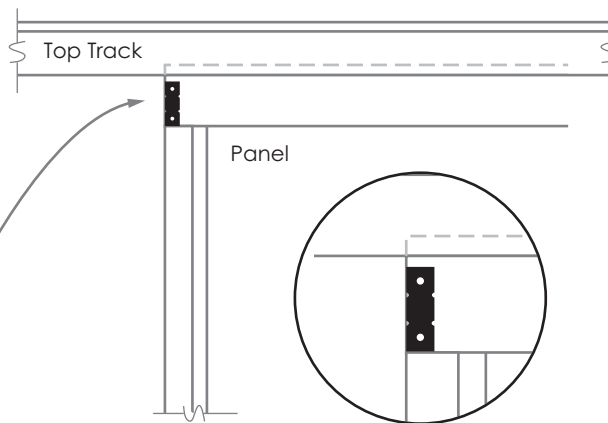


Panel 3 collects Panel 2, Panel 2 collects Panel 1 and pulls them all to a completely closed position.

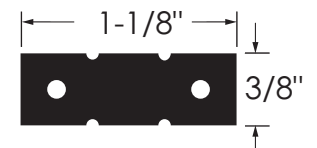
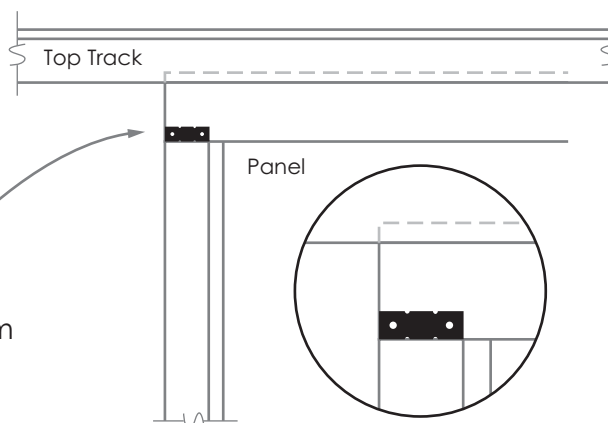
Block Orientation MONACO



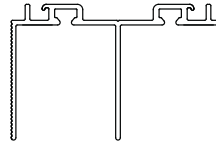
LONG EDGE of Block
Flush with end of Rail
@ Bottom of Rail



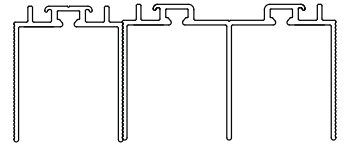
SHORT EDGE of Block
Flush with end of Rail
LONG EDGE @ Bottom
of Rail



Block Orientation SAVONA



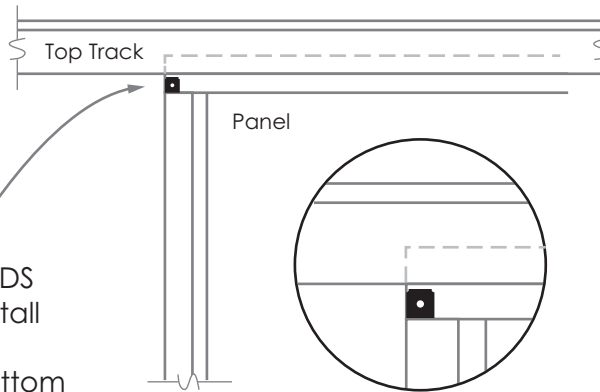
Double



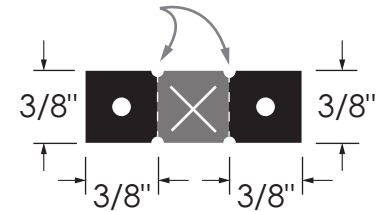
Triple



BREAK OFF BLOCK ENDS
to 3/8" x 3/8" then install
Flush with end of Rail
Bottom of Block @ bottom
of Rail... SHIM PANEL 3 ONLY



BREAK OFF at notches
to yield 2 Collector blocks
(discard middle section)



SHORT EDGE of Block
Flush with end of Rail
LONG EDGE @ Bottom
of Rail... SHIM PANEL 3 ONLY

