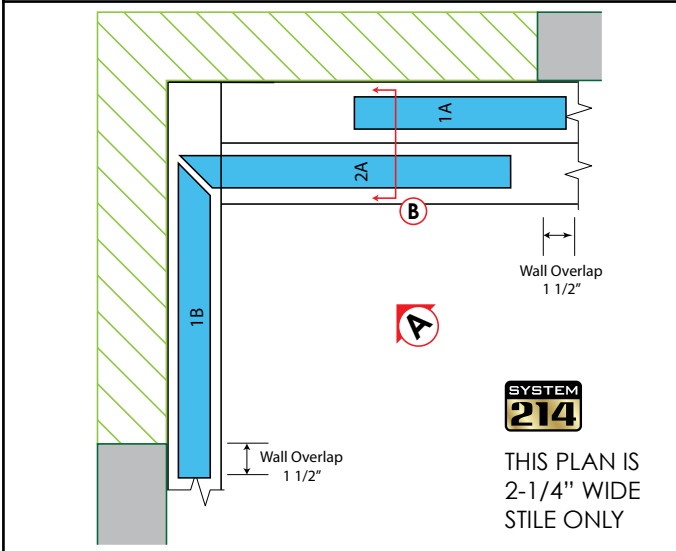


S2D-IWxMPxBT - Inside Wall - Mitred Panels - Butted Tracks

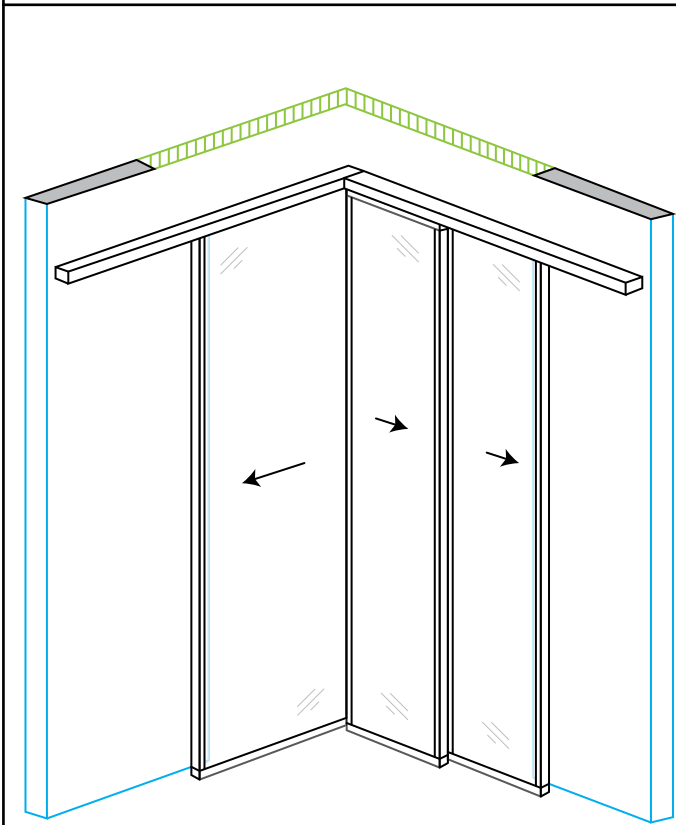
SECTION B

SYSTEM PARTS

OPTIONAL PARTS



ELEVATION A



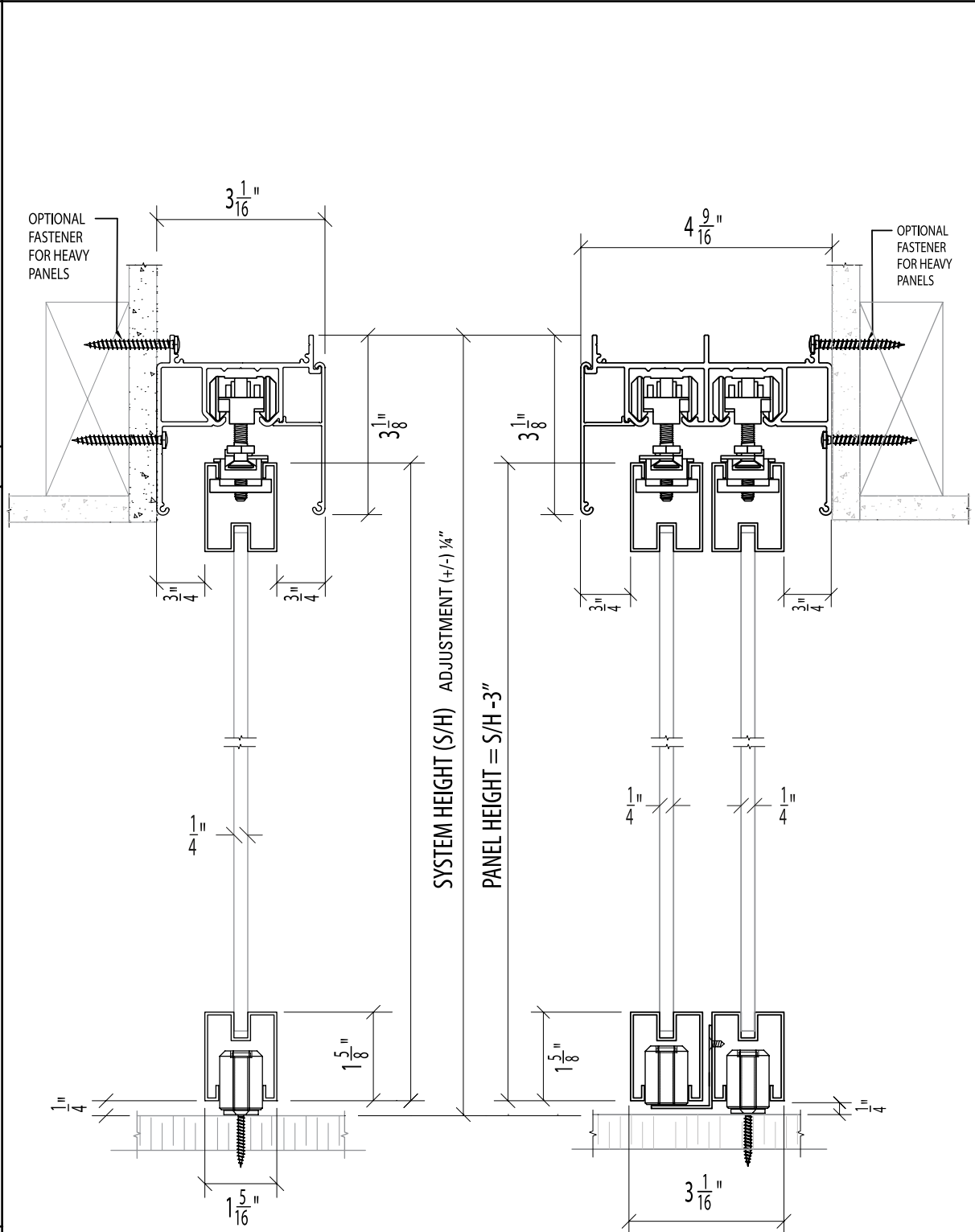
SEE INSTALLATION INSTRUCTIONS FOR CORNER DETAILS

PROJECT:

ARCHITECT:

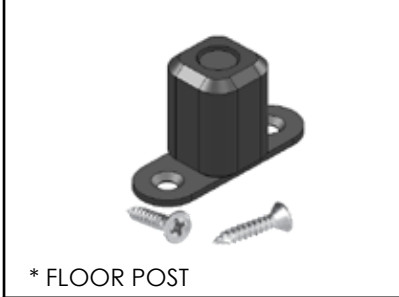
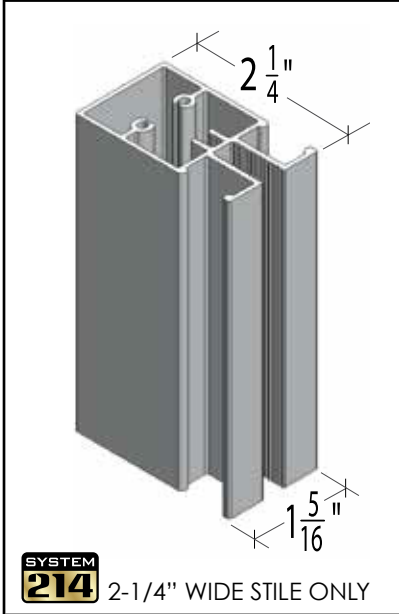
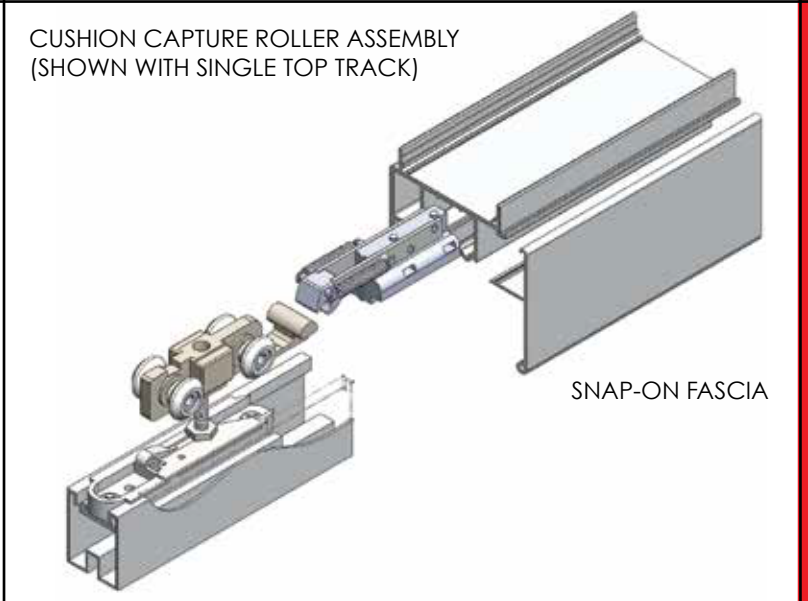
**Riviera**  
rivieraglassdividers.com

**ALLIANCE GLASS DOORS INC.**  
Surrey, BC, Canada, V3W 1A2  
T: 604.501.2588  
F: 604.501.1608

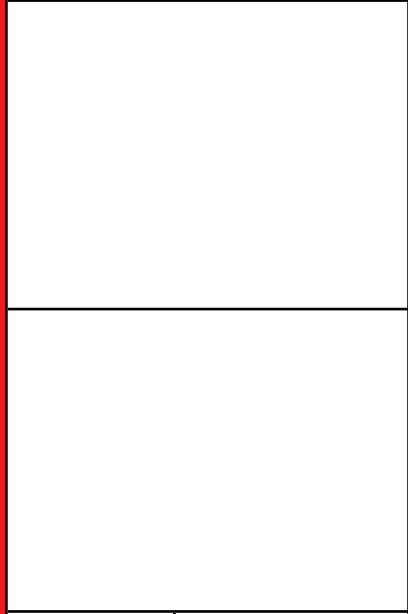
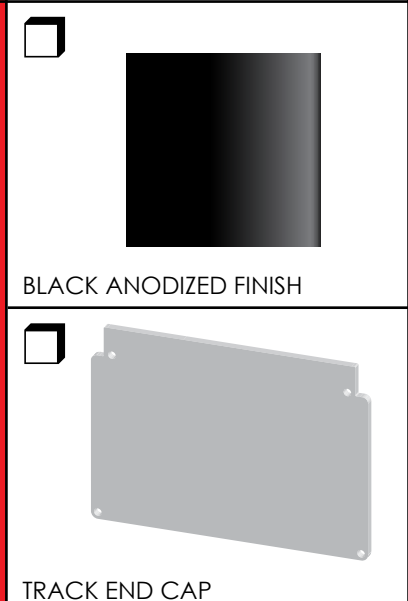


**MONACO Mx-SWP\* with Mx-DWP\* at 90°**  
Single Track - Inside Wall Mount - Floor Post to Double Track - Inside Wall Mount - Floor Post with Carrier Post

SHEET: \_\_\_\_\_ JOB #: \_\_\_\_\_



- STANDARD INSERTS**
- DIFFUSED WHITE LAMI GLASS
  - CLEAR LAMINATED GLASS
  - MIRROR
  - PREFINISHED HARDBOARD
  - MIRROR / HARDBOARD



- SPECIAL INSERTS**
- POLAR WHITE GLASS
  - BLACK GLASS
  - CUSTOMER SUPPLIED INSERT
  - DIVISION BARS

DRAWN BY: JL DATE: 11/01/20 CHECKED BY: DL

PLEASE NOTE: "x" in the product code refers to the stile options - Standard LINE = "T"; SYSTEM 214 = "214"; MODERNO = "M58"

Riviera Glass Divider "Collector Blocks" are designed to assist in closing multi-panel sets of sliding door panels by collecting each panel they pass by. When closing the set, the outermost panel will inter-lock with the next panel, and pull it along to its resting position. To re-open, with all required and recommended blocks installed, pushing the outermost panel will collect all panels as a group. Panels will be staggered in the fully open position.

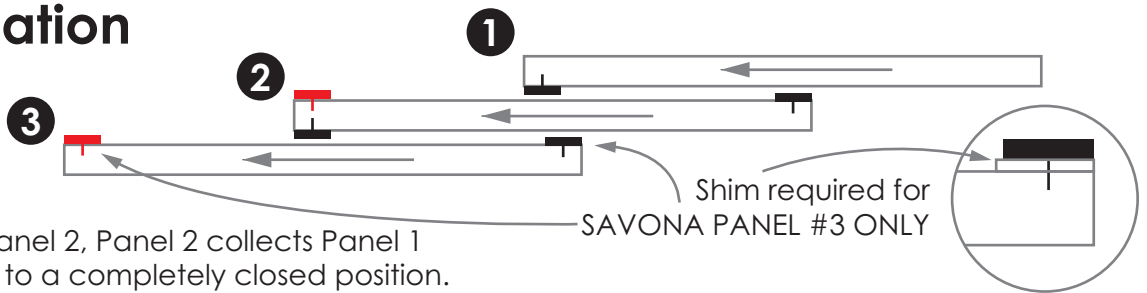
Below you'll find instructions for installing the blocks. Pay close attention to identify your track series (Monaco or Savona), and the correct location and orientation on the panel. Peel and stick the block in place as illustrated, then install self tapping screws to permanently secure. Pre-drilling is not necessary.

**IMPORTANT:** Read these instructions completely before beginning any installation.

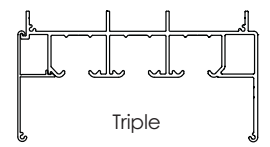
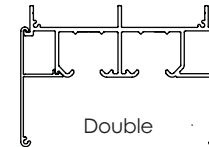
## Block Location

 Required

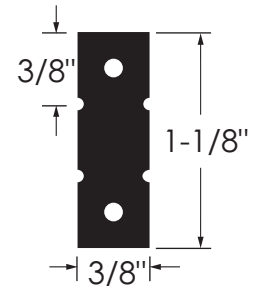
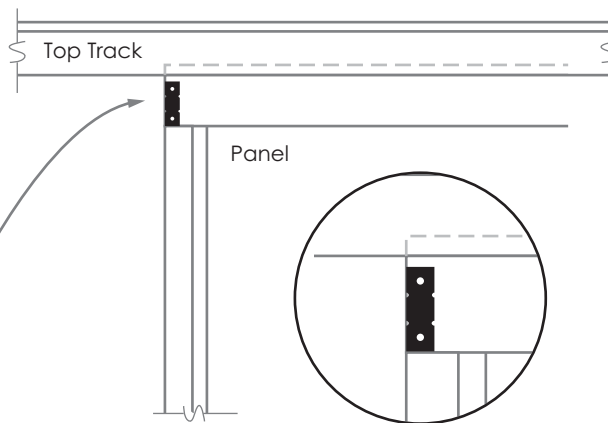
 Recommended



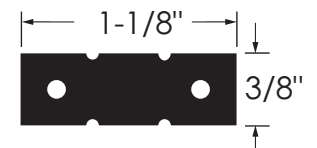
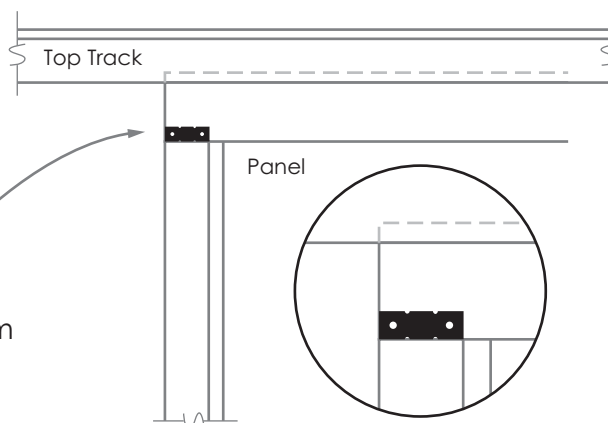
## Block Orientation MONACO



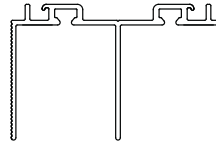
LONG EDGE of Block  
Flush with end of Rail  
@ Bottom of Rail



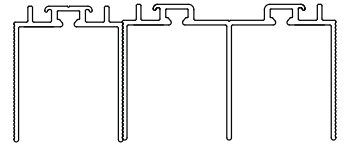
SHORT EDGE of Block  
Flush with end of Rail  
LONG EDGE @ Bottom  
of Rail



**Block Orientation SAVONA**



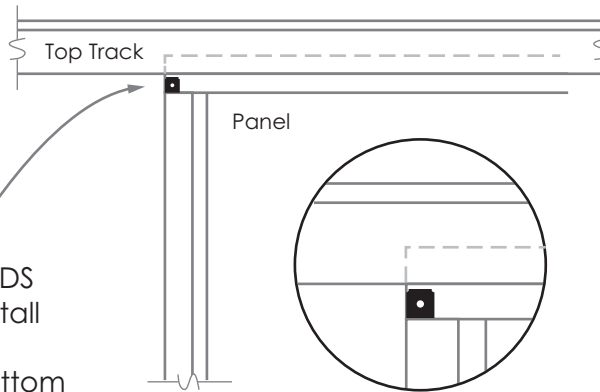
Double



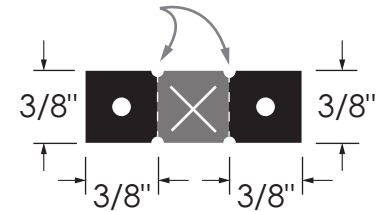
Triple



BREAK OFF BLOCK ENDS  
to 3/8" x 3/8" then install  
Flush with end of Rail  
Bottom of Block @ bottom  
of Rail... SHIM PANEL 3 ONLY



BREAK OFF at notches  
to yield 2 Collector blocks  
(discard middle section)



SHORT EDGE of Block  
Flush with end of Rail  
LONG EDGE @ Bottom  
of Rail... SHIM PANEL 3 ONLY

