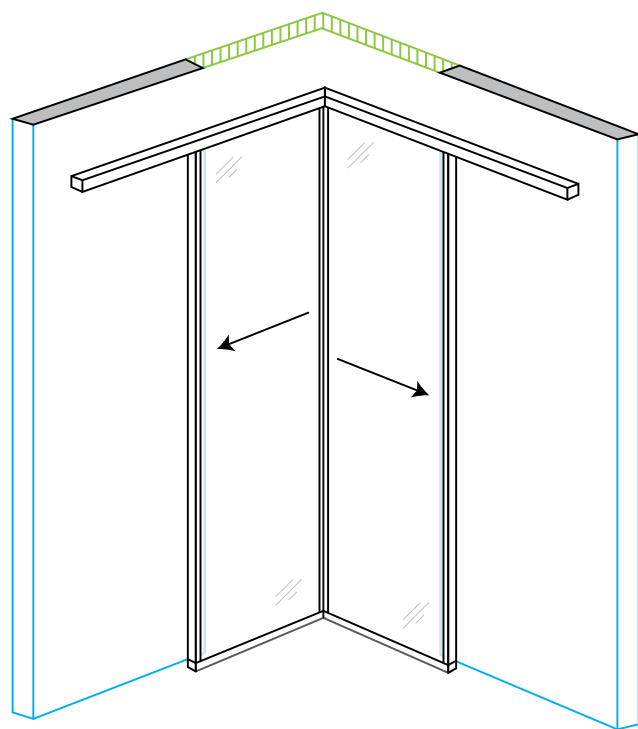


ELEVATION A

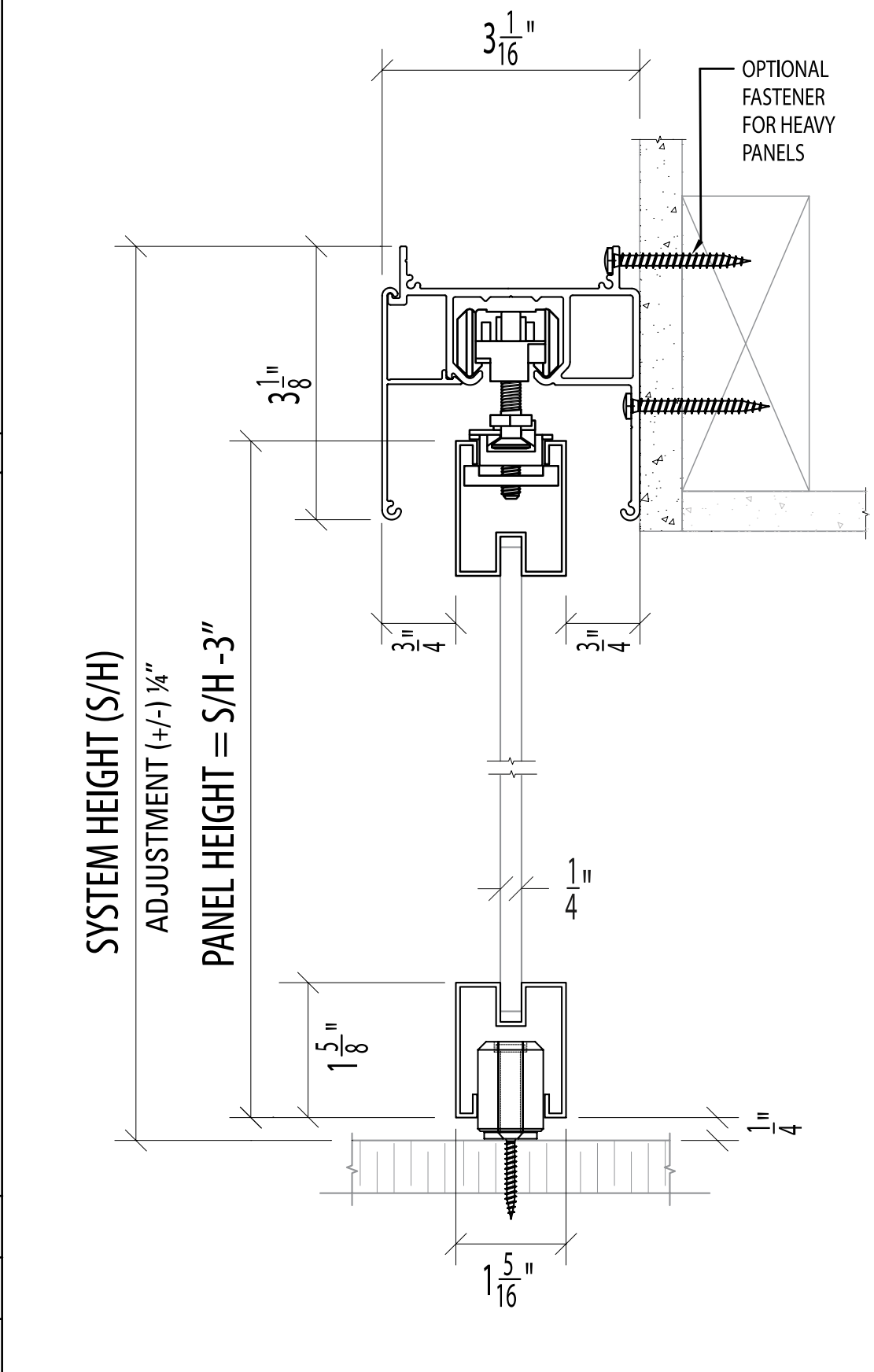


SEE INSTALLATION INSTRUCTIONS FOR CORNER DETAILS

PROJECT:  
ARCHITECT:



**ALLIANCE GLASS DOORS INC.**  
Surrey, BC, Canada, V3W 1A2  
T: 604.501.2588  
F: 604.501.1608

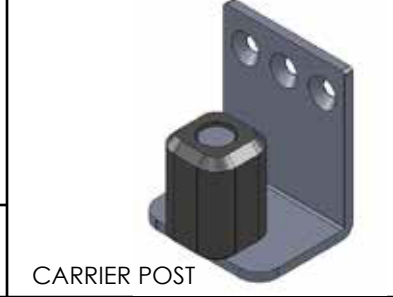
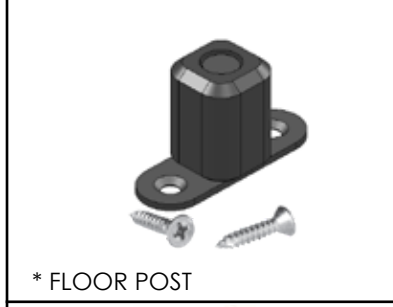
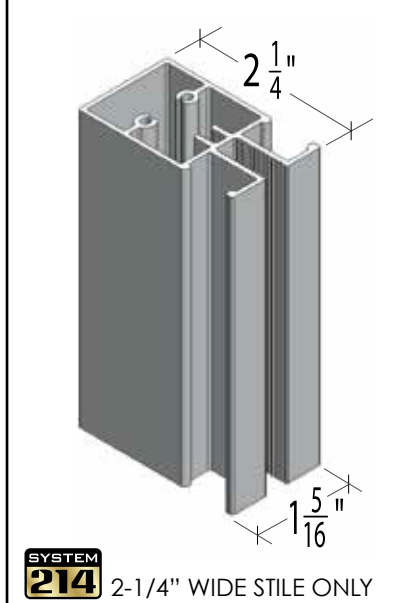
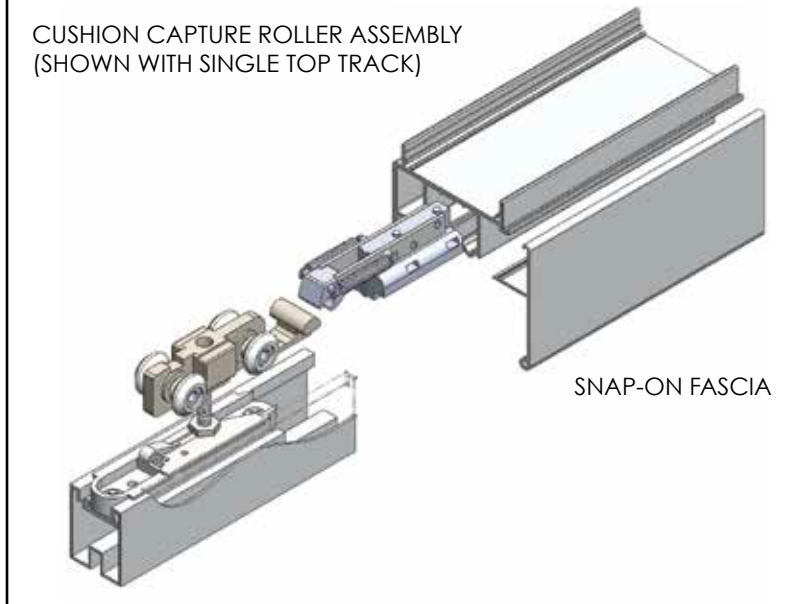


SYSTEM HEIGHT (S/H)  
ADJUSTMENT (+/-) 1/4"  
PANEL HEIGHT = S/H - 3"

MONACO Mx-SWP\* with Mx-SWP\* at 90°  
Single Track - Inside Wall Mount - Floor Post to Single Track - Inside Wall Mount - Floor Post

SHEET:

JOB #:

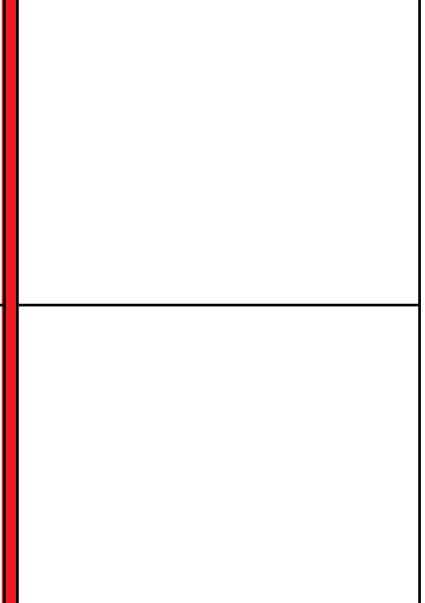
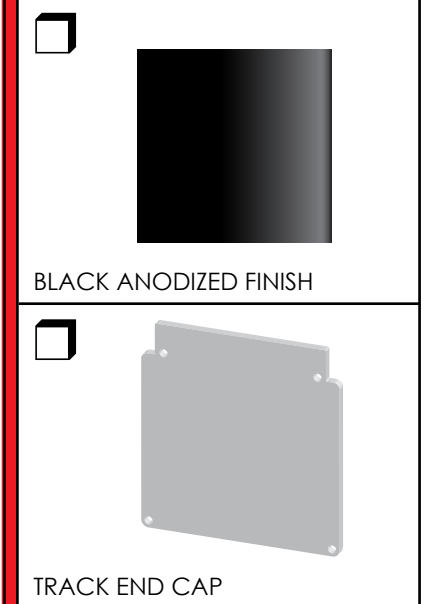


CUSHION CAPTURE ROLLER ASSEMBLY (SHOWN WITH SINGLE TOP TRACK)

2-1/4" WIDE STILE ONLY

\* FLOOR POST

CARRIER POST



SYSTEM 214 LOCK  
SYSTEM 214 EDGE PULL

SPECIAL INSERTS  
 POLAR WHITE GLASS  
 BLACK GLASS  
 CUSTOMER SUPPLIED INSERT  
 DIVISION BARS

STANDARD INSERTS  
 DIFFUSED WHITE LAMI GLASS  
 CLEAR LAMINATED GLASS  
 MIRROR  
 PREFINISHED HARDBOARD  
 MIRROR / HARDBOARD

DRAWN BY: JL

DATE: 11/01/20

CHECKED BY: DL