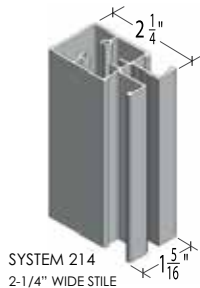
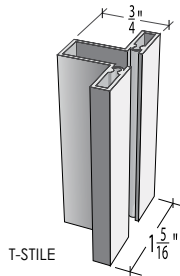
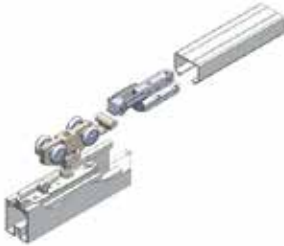


CUSHION CAPTURE ROLLER ASSEMBLY  
 (SHOWN WITH SINGLE TOP TRACK)



**Track Type**

- Portofino Series for top hung pocket door panels, Single Tracks
- Vertically fastened (Cage Header, Ceiling, Soffit Mount) to required solid backing

**Sliding System**

- Quad wheel ball bearing top rollers (2 per panel) with vertical adjusting bolt
- Cushion Capture soft closing stops (1 per panel at closed end)
- Bottom jamb guides

**Aluminum/Glass Panel Profile**

"T" Stile Panel Frame (Standard)

Stile	3/4" width x 1 5/16" door thickness with full length face pull
Bottom Rail	1 1/2" height
Top Rail	1 1/2" height
Standard Finish:	Clear Anodized
Optional Finish:	Black Anodized Black Powder Coated Paint
Division Bars:	Surface mount faux division bars - 1 1/2" x 1/8" for divided lite look

System 214 Panel Frame (Optional)

Stile	2 1/4" width x 1 5/16" Door Thickness with full length face pull
Bottom Rail	2 1/4" height standard, optional 1 1/2" height
Top Rail	1 1/2" height standard, optional 2 1/4" height
Standard Finish:	Clear Anodized
Optional Finish:	Black Anodized Black Powder Coated Paint
Optional Lock:	In-stile sliding door lock - Keyed or Privacy functions
Division Bars:	Surface mount faux division bars - 1 1/2" x 1/8" for divided lite look

**Maximum Panel Size**

Width:	60"
Height:	108"

**Glass**

Translucent

Standard	Clear Laminated Safety Glass O/A thickness 6mm with .015 PVB Interlayer
Standard	Diffused White Laminated O/A thickness 6mm with .015 PVB Interlayer
Optional	Cabana Lite Printed Laminated O/A thickness 6mm with .015 PVB Interlayer
Optional	Sand White Printed Laminated O/A thickness 6mm with .015 PVB Interlayer

Opaque

Optional	Pure White Laminated O/A thickness 6mm with .015 PVB Interlayer
Optional	White Back-Painted Safety Glass O/A thickness 6mm (3mm Cat 2 Vinyl Backing x 2)
Optional	Black Back-Painted Safety Glass O/A thickness 6mm (3mm Cat 2 Vinyl Backing x 2)

Other

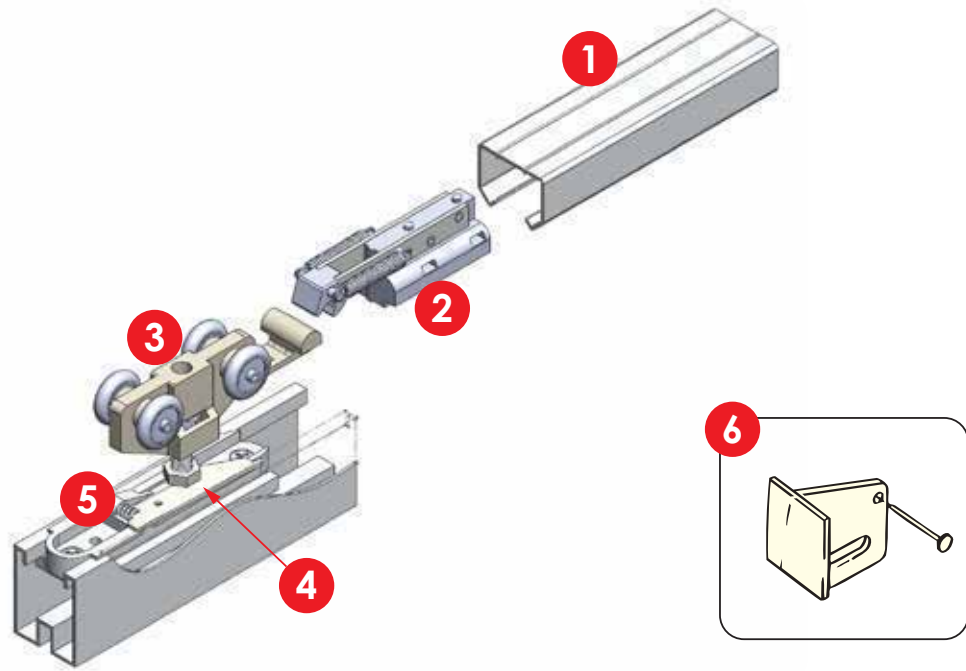
Optional	Customer supplied inserts
----------	---------------------------

**Application**

Visit <http://rivieraglassdividers.com/portofino/> for various plan layouts, link to shop drawings and link to installation instructions

# Portofino - System Components

- 1 - Top Track
- 2 - Cushion Capture
- 3 - Roller
- 4 - Adjusting Bolt
- 5 - Hanger Lock
- 6 - Door Guide



## General

- A - "T" Stile
- B - System 214 Wide 2 1/4" Stile \*\*
- C - Sidelite Shoe
- D - System 214 Lock
- E - System 214 Edge Pull

