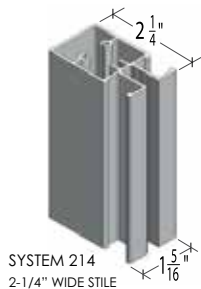
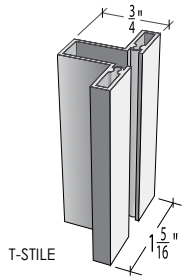
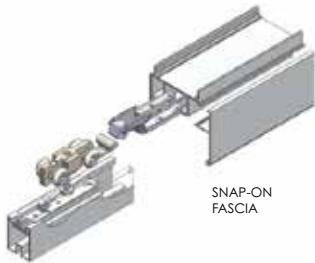


CUSHION CAPTURE ROLLER ASSEMBLY
(SHOWN WITH SINGLE TOP TRACK)



Track Type

- Monaco Series for top hung panels, Single, Double or Triple tracks
- Horizontally fastened (Wall Mount) or Vertically fastened (Header, Ceiling, Soffit Mount) to required solid backing
- Snap on fascia

Sliding System

- Quad wheel ball bearing top rollers (2 per panel) with vertical adjusting bolt
- Cushion Capture soft closing stops (2 per panel) standard
- Concealed bottom guide posts

Aluminum/Glass Panel Profile

"T" Stile Panel Frame (Standard)

| | |
|------------------|--|
| Stile | 3/4" width x 1 5/16" door thickness with full length face pull |
| Bottom Rail | 1 1/2" height |
| Top Rail | 1 1/2" height |
| Standard Finish: | Clear Anodized |
| Optional Finish: | Black Anodized Black Powder Coated Paint |
| Division Bars: | Surface mount faux division bars - 1 1/2" x 1/8" for divided lite look |

System 214 Panel Frame (Optional)

| | |
|------------------|---|
| Stile | 2 1/4" width x 1 5/16" Door Thickness with full length face pull optional 45° deg corner-meeting stile units |
| Bottom Rail | 2 1/4" height standard, optional 1 1/2" height |
| Top Rail | 1 1/2" height standard, optional 2 1/4" height |
| Standard Finish: | Clear Anodized |
| Optional Finish: | Black Anodized Black Powder Coated Paint |
| Optional Lock: | In-stile sliding door lock - Keyed or Privacy functions |
| Division Bars: | Surface mount faux division bars - 1 1/2" x 1/8" for divided lite look |

Maximum Panel Size

| | |
|---------|------|
| Width: | 60" |
| Height: | 108" |

Glass

Translucent

| | |
|----------|--|
| Standard | Clear Laminated Safety Glass O/A thickness 6mm with .015 PVB Interlayer |
| Standard | Diffused White Laminated O/A thickness 6mm with .015 PVB Interlayer |
| Optional | Cabana Lite Printed Laminated O/A thickness 6mm with .015 PVB Interlayer |
| Optional | Sand White Printed Laminated O/A thickness 6mm with .015 PVB Interlayer |

Opaque

| | |
|----------|---|
| Optional | Pure White Laminated O/A thickness 6mm with .015 PVB Interlayer |
| Optional | White Back-Painted Safety Glass O/A thickness 6mm (3mm Cat 2 Vinyl Backing x 2) |
| Optional | Black Back-Painted Safety Glass O/A thickness 6mm (3mm Cat 2 Vinyl Backing x 2) |

Other

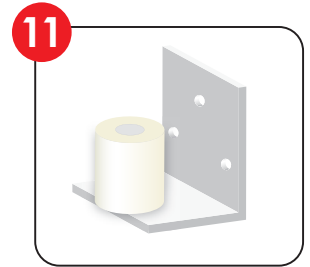
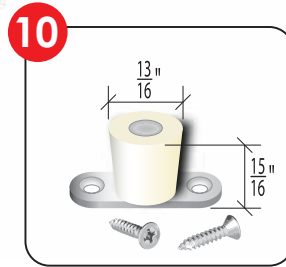
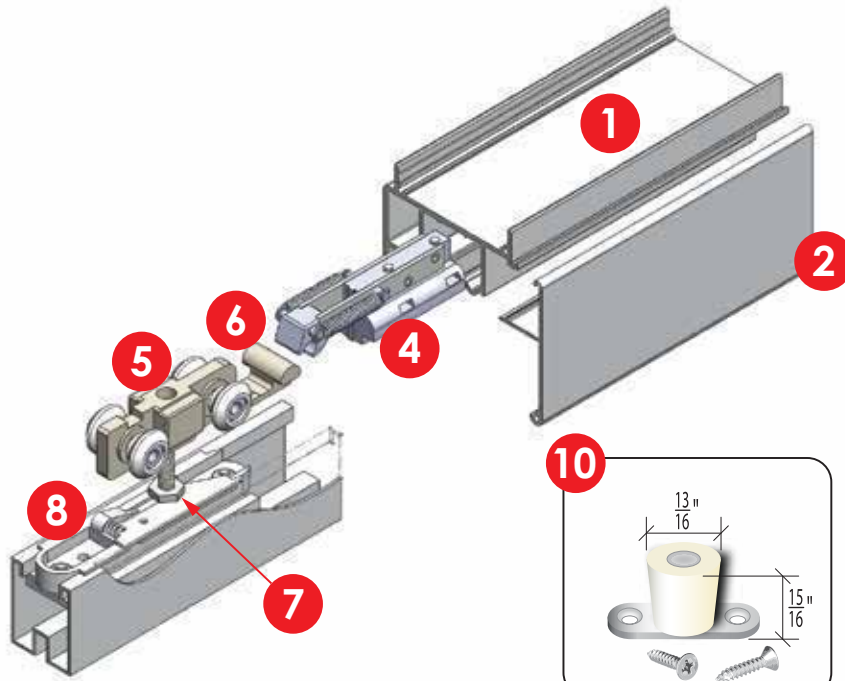
| | |
|----------|---------------------------|
| Optional | Customer supplied inserts |
|----------|---------------------------|

Application

Visit <http://rivieraglassdividers.com/monaco/> for various plan layouts, link to shop drawings and link to installation instructions

Monaco - System Components

- 1 - Main Track
- 2 - Snap on Fascia
- 3 - Track End Cap
- 4 - Cushion Capture
- 5 - Roller
- 6 - Roller Bumper
- 7 - Adjusting Bolt
- 8 - Hanger Lock
- 9 - Rail Cap
- 10 - Floor Post
- 11 - Carrier Post



General

- A - "T" Stile
- B - System 214 Wide 2 1/4" Stile **
- C - Sidelite Shoe
- D - System 214 Lock
- E - System 214 Edge Pull

