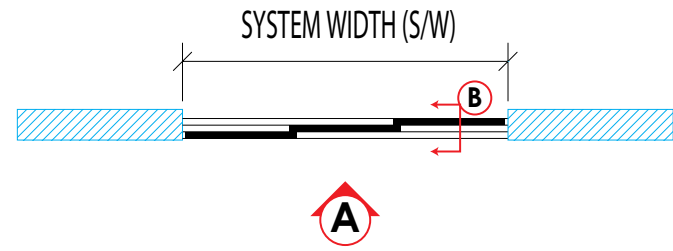
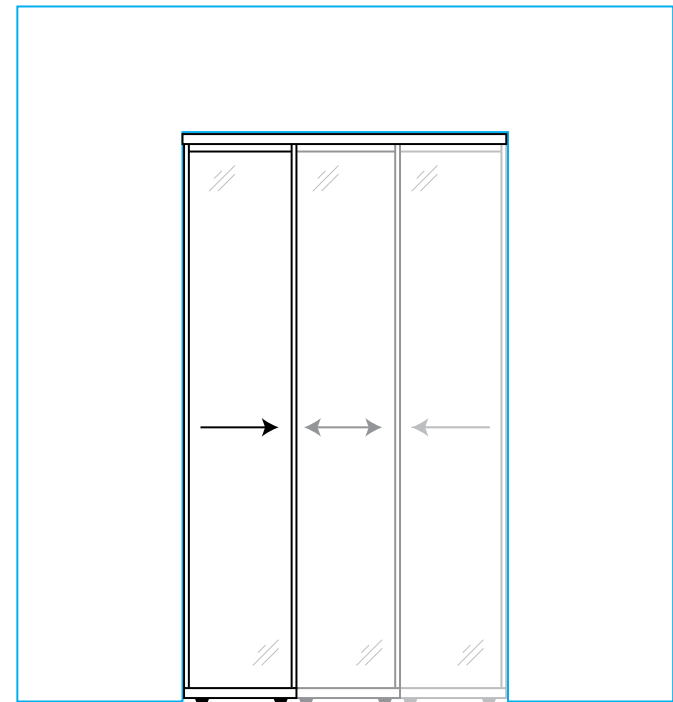


PLAN 9



ELEVATION A



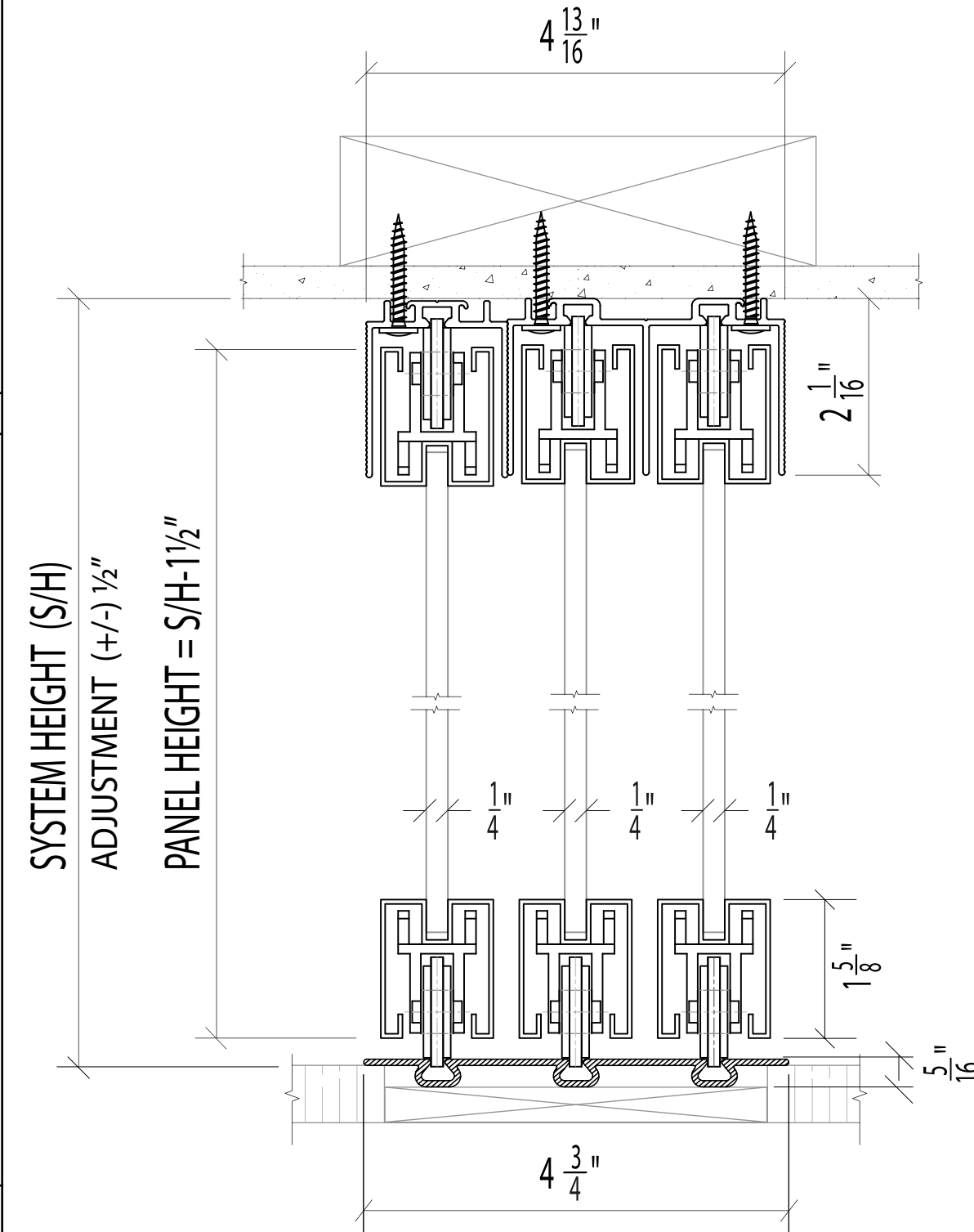
PROJECT:

ARCHITECT:

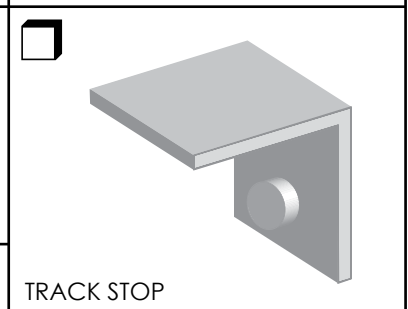
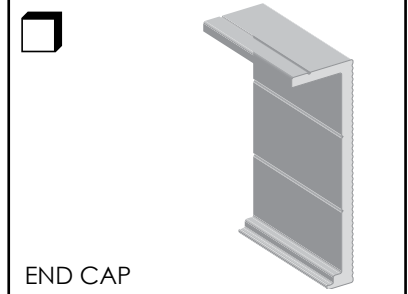
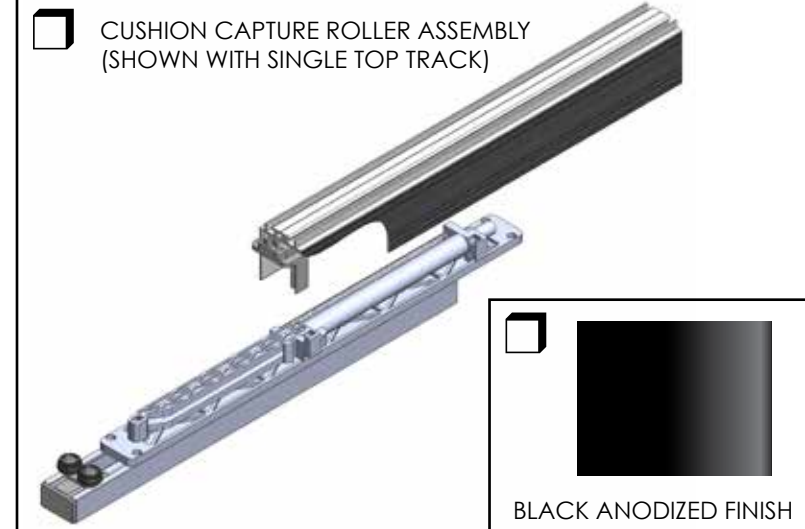


ALLIANCE GLASS DOORS INC.  
Surrey, BC, Canada, V3W 1A2  
T: 604.501.2588  
F: 604.501.1608

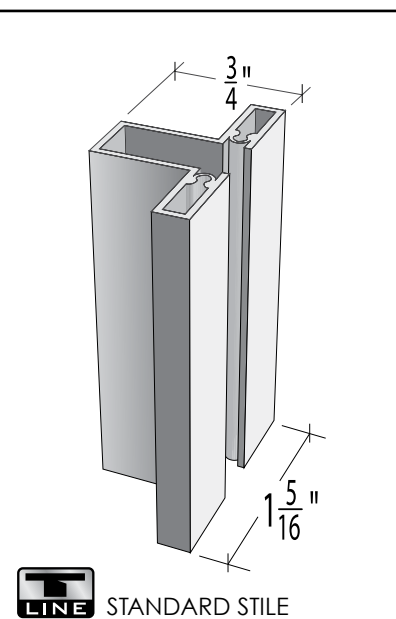
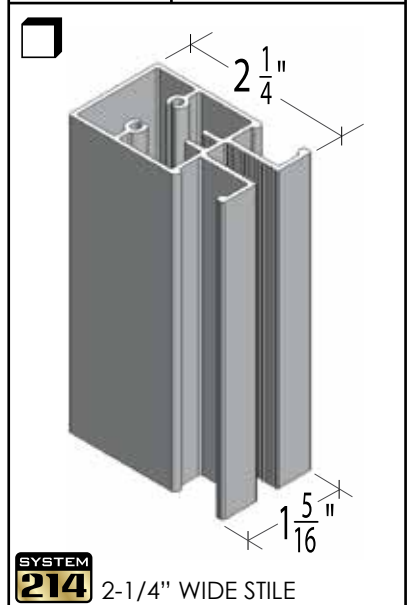
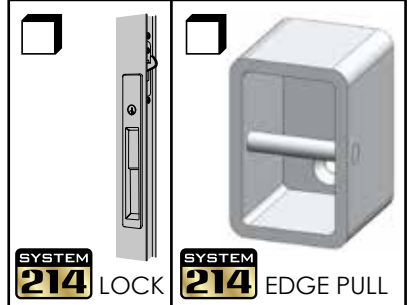
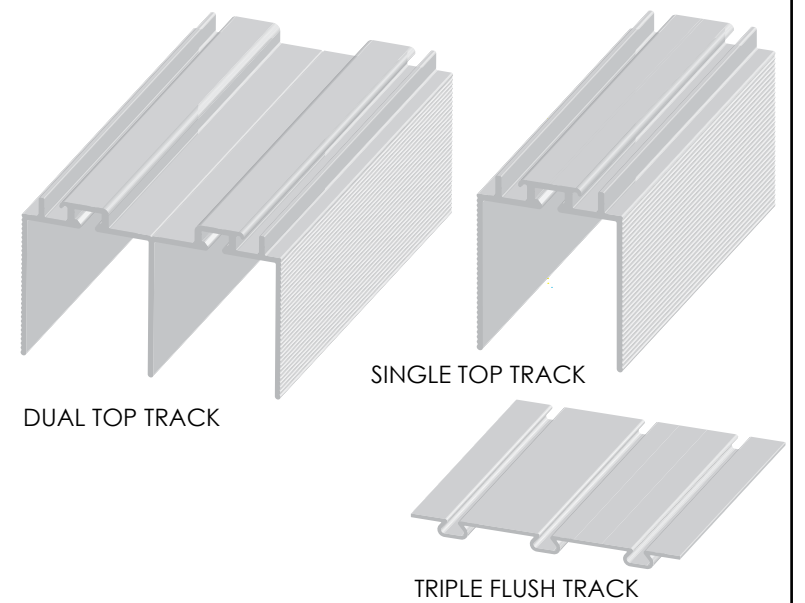
SECTION B



OPTIONAL PARTS



SYSTEM PARTS

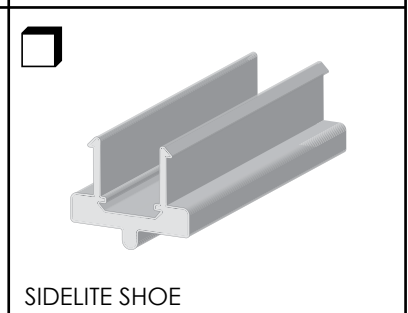


STANDARD INSERTS

- DIFFUSED WHITE LAMI GLASS
- CLEAR LAMINATED GLASS
- MIRROR
- PREFINISHED HARDBOARD
- MIRROR / HARDBOARD

SPECIAL INSERTS

- POLAR WHITE GLASS
- BLACK GLASS
- CABANA LITE LAMI GLASS
- WHITE SAND LAMI GLASS
- CUSTOMER SUPPLIED INSERT
- DIVISION BARS



SHEET:

JOB #:

DRAWN BY: JL

DATE: 07/22/17

CHECKED BY: DL

**SAVONA Sx-TCF**  
Triple Track - Ceiling Mount - Flush Floor Track

PLEASE NOTE: "x" in the product code refers to the stile options - Standard LINE = "T"; SYSTEM 214 = "214"