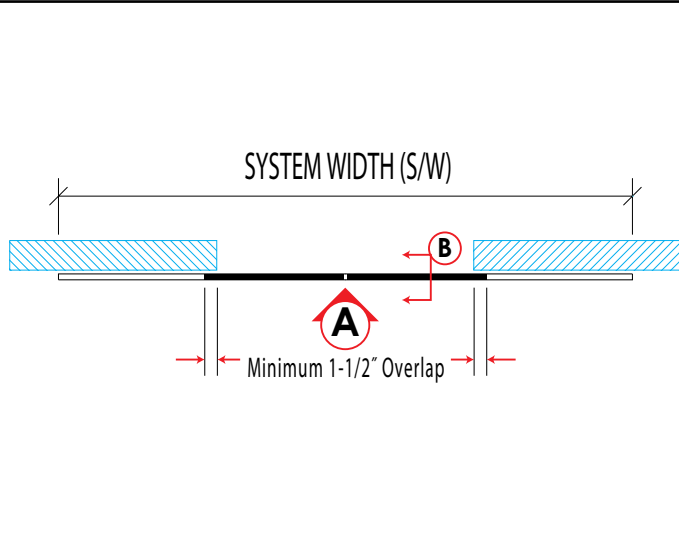
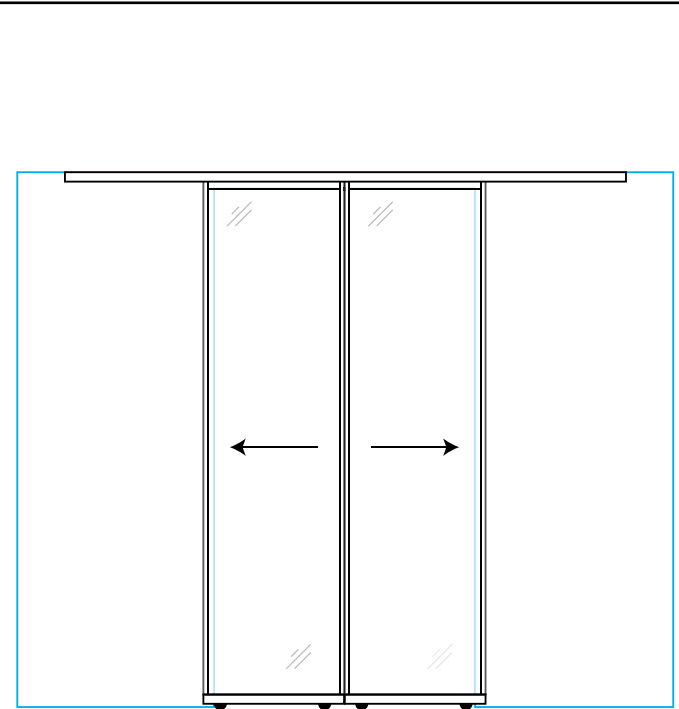


PLAN 2



ELEVATION A



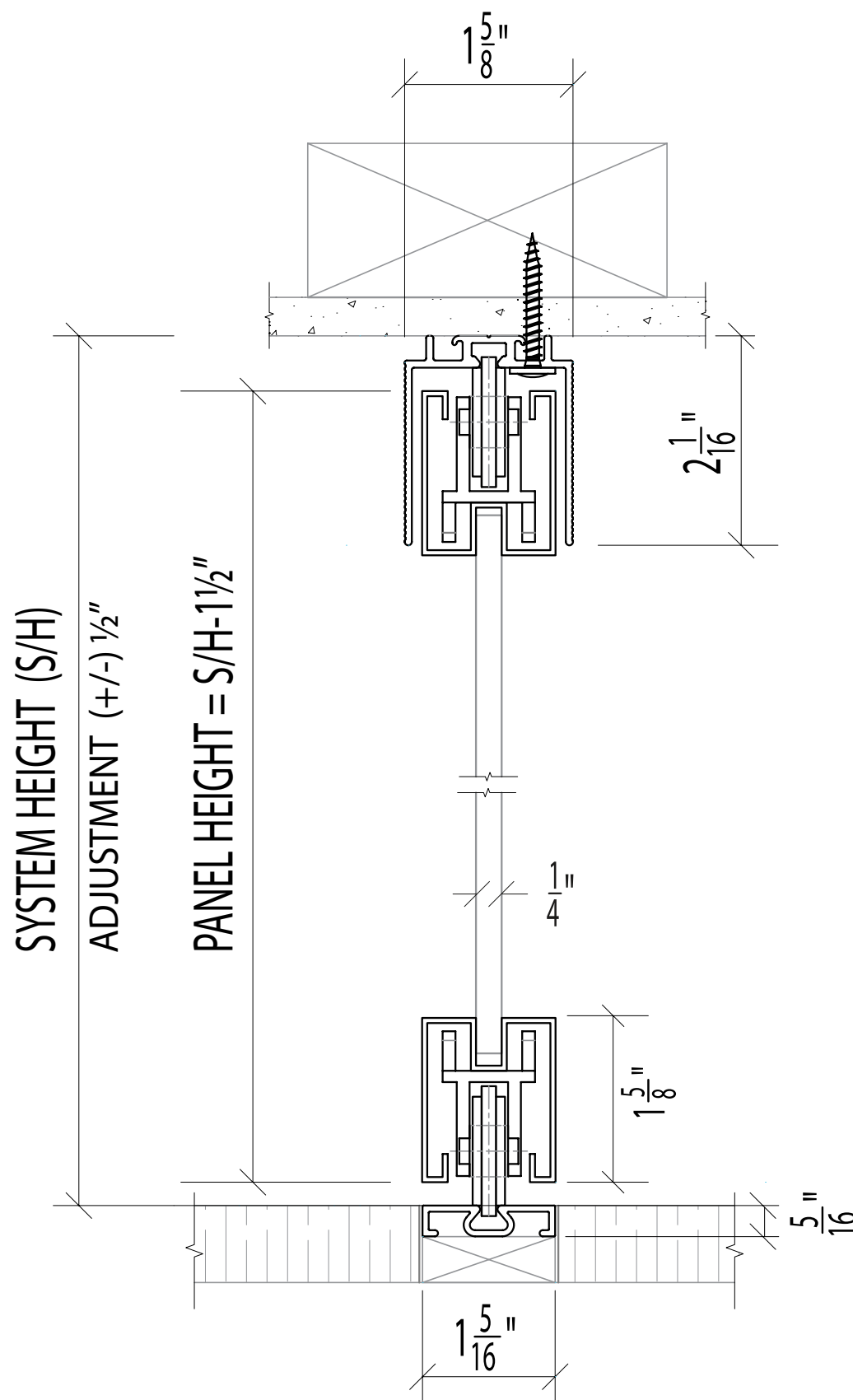
PROJECT:

ARCHITECT:



ALLIANCE GLASS DOORS INC.
 Surrey, BC, Canada, V3W 1A2
 T: 604.501.2588
 F: 604.501.1608

SECTION B

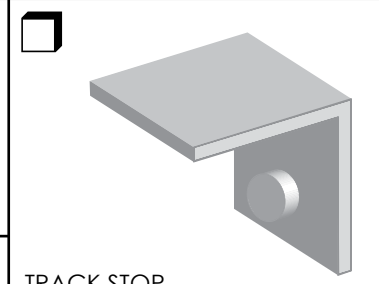
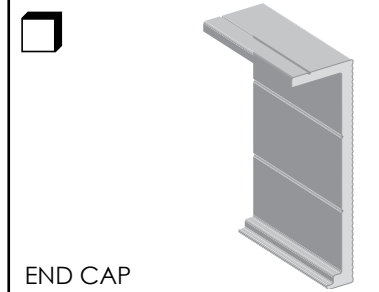
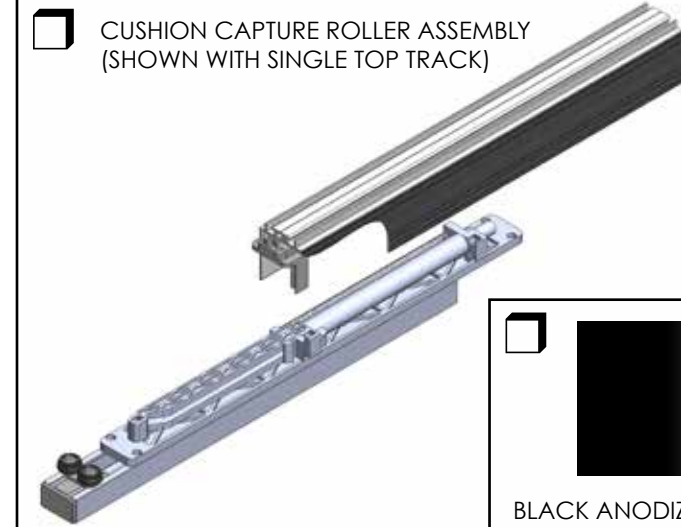


SHEET:

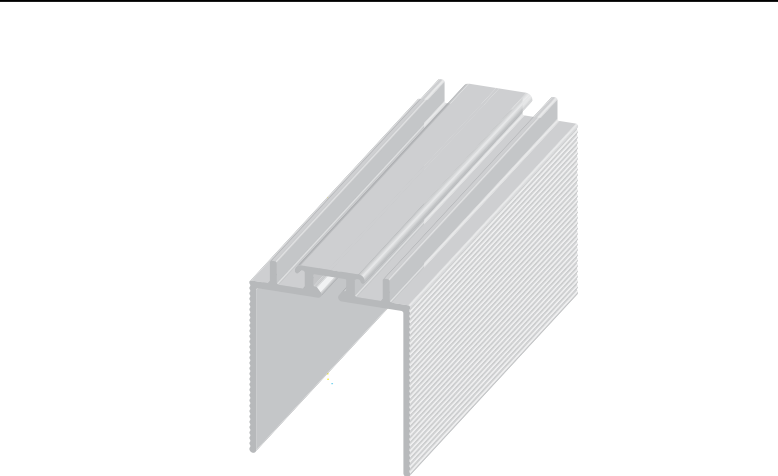
JOB #:

SAVONA Sx-SCF
 Single Track - Ceiling Mount - Flush Floor Track

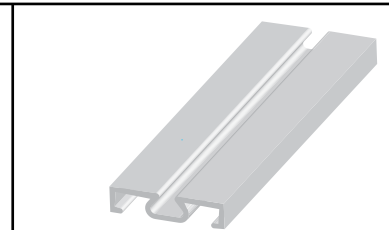
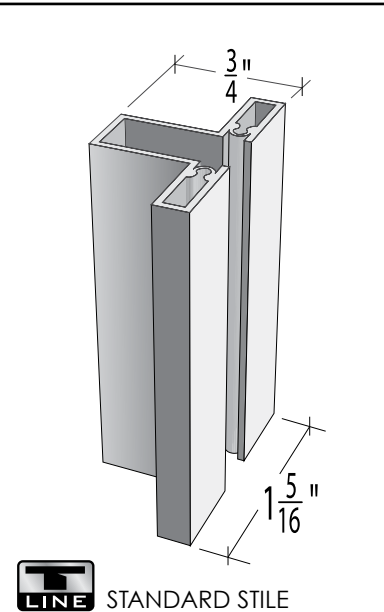
OPTIONAL PARTS



SYSTEM PARTS



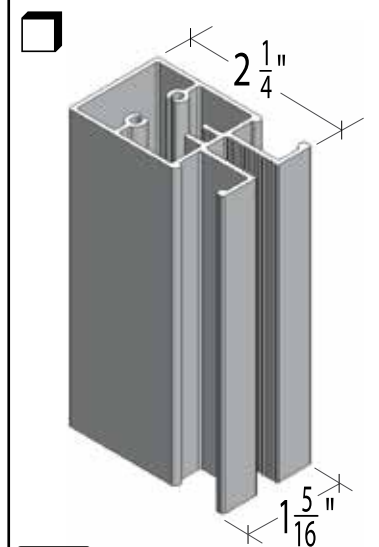
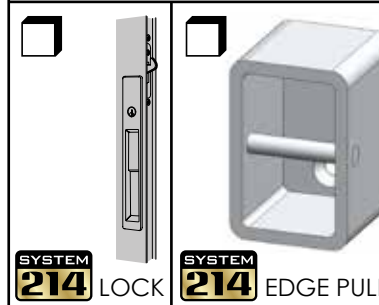
SINGLE TOP TRACK



SINGLE FLUSH TRACK

STANDARD INSERTS

- DIFFUSED WHITE LAMI GLASS
- CLEAR LAMINATED GLASS
- MIRROR
- PREFINISHED HARDBOARD
- MIRROR / HARDBOARD



SYSTEM 214 2-1/4" WIDE STILE

SPECIAL INSERTS

- POLAR WHITE GLASS
- BLACK GLASS
- CABANA LITE LAMI GLASS
- WHITE SAND LAMI GLASS
- CUSTOMER SUPPLIED INSERT
- DIVISION BARS

DRAWN BY: JL

DATE: 07/22/17

CHECKED BY: DL